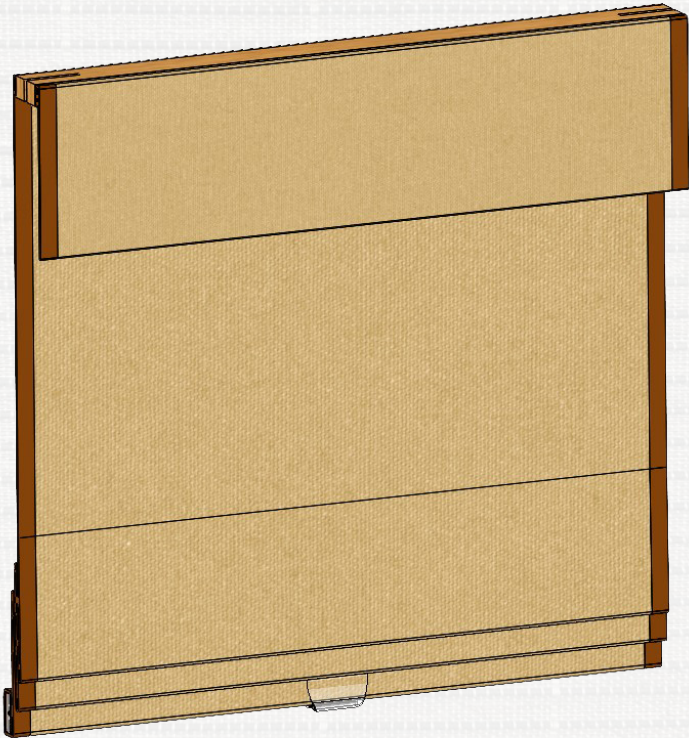


WOOD Woven

S H A D E S

INSTALLATION GUIDE



Lift Control:

CORDLESS



CONTENTS

INCLUDED IN YOUR PACKAGE	3
SUGGESTED TOOLS (NOT INCLUDED)	4
MOUNTING OPTIONS	5
MOUNTING BRACKETS	6
INSTALLING THE SHADE	8
CARE AND CLEANING	9
WARNING	10
EMERGENCY / FIRST AID	10

Thank you for Choosing our Wood Woven Shade for your Residential or Commercial Property.

We are confident that you will find our Wood Woven Shade to be of superior quality and value, compared to other shades available.

In this guide, you will find useful information about installation, child safety, cleaning, and warranty when using your shade.

READ ALL INSTALLATION INSTRUCTIONS BEFORE INSTALLING

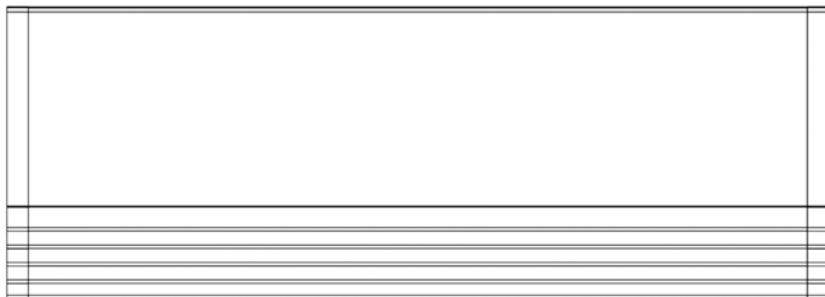
CONTACTING US:

Contact your Dealer regarding any question or concerns about your product.

PLEASE KEEP FOR FUTURE REFERENCE / TROUBLESHOOTING

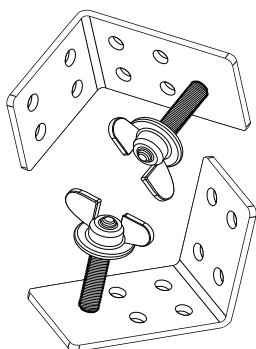
INCLUDED IN YOUR PACKAGE

WOOD WOVEN SHADE



SCREWS

Quantity: 4 per packet



BRACKETS

Quantity: 2

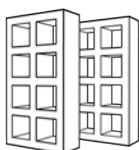
The wider the shade the more brackets provided - see chart below

INSTALLATION BRACKET REQUIREMENT CHART

Shade Width	Brackets Required
10" to 39"	2
40" to 78-3/4"	3
78-3/4" or greater	4

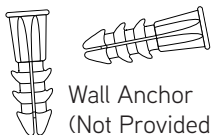
OPTIONAL PARTS: (supplied upon request)

Spacer Blocks (Not Provided)



Use for shades that need more space between the wall.

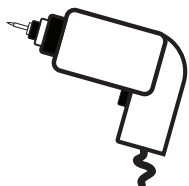
Wall anchors (Not Provided).



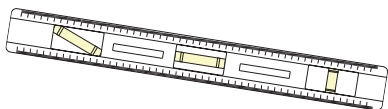
Wall Anchor
(Not Provided)

If mounting into drywall, you will need wall anchors to ensure a secure installation.

SUGGESTED TOOLS (NOT INCLUDED)



DRILL
*1/16" drill bit,
and 1/4"
hex driver*



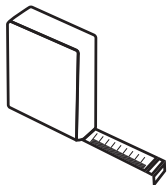
LEVEL



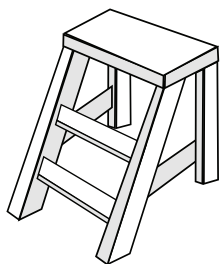
PENCIL



SCREWDRIVER
*Flat blade, Phillips, or
1/4" hex driver*

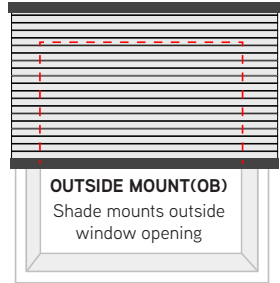
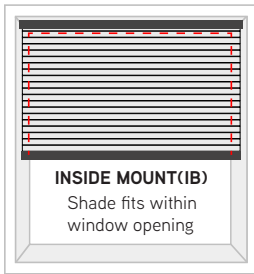
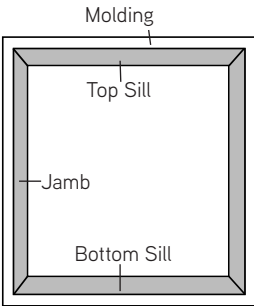


TAPE MEASURE



LADDER

MOUNTING OPTIONS



Your new shade is custom made to your specifications from the finest fabrics available. The installation should be easy and your shade will look elegant.

Mounting NOTES:

Mounting screws provided are suitable for most mounting surfaces. See below for additional suggestions.

- **For wallboard or plaster:**

Use hollow wall anchors for added support. (not included)

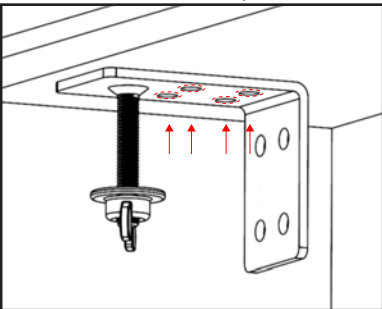
- **For concrete, stone, brick or tile:**

Use an appropriate drill and appropriate anchors before fastening the screws. (not included)

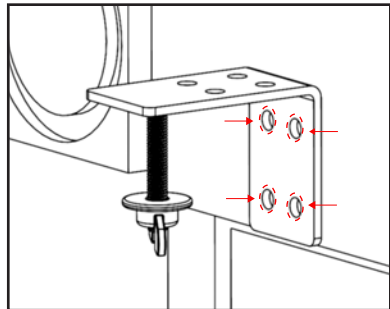
- **For metal surfaces:**

Pre-drill holes and use appropriate drill and appropriate anchors before fastening the screws. (not included)

INSIDE MOUNT: Top of bracket



OUTSIDE MOUNT: Back of bracket



Inside Mount Depth Requirements

Bracket	Minimum Depth	Fully Recessed*	Fully Recessed*
		1-1/2" Depth Headrail	2-1/2" Depth Headrail
Standard	1-1/8"	2-1/2"	2-1/2"
Ceiling	1-1/8"	2-1/2"	2-1/2"
Extension	1-7/8"	1-1/8"	3-1/2"

Outside Mount Surface Space Requirements

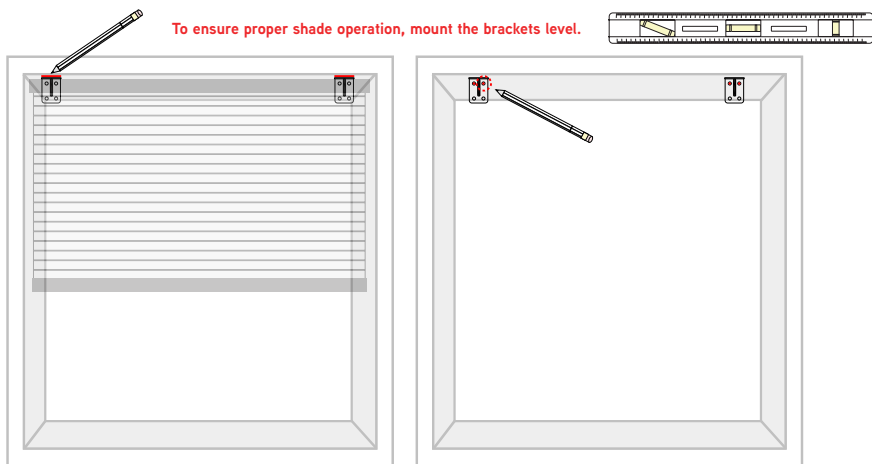
Bracket	Minimum Depth
Standard	1-1/8"
Ceiling	1-1/8"
Extension	1-1/4"

1 MOUNTING BRACKETS | Illustration

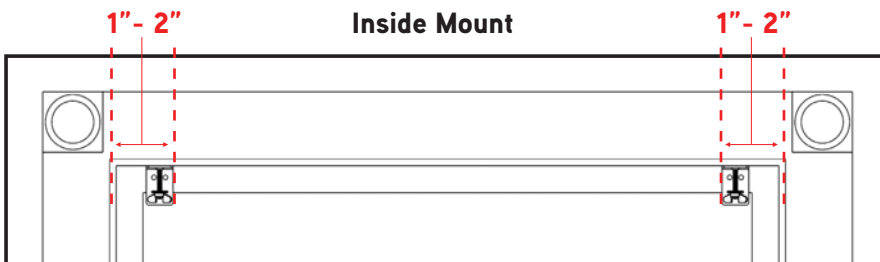
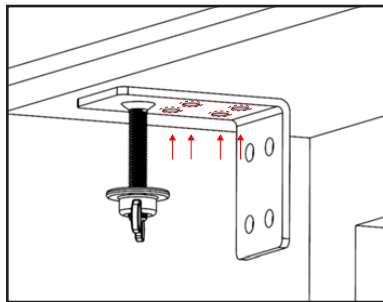
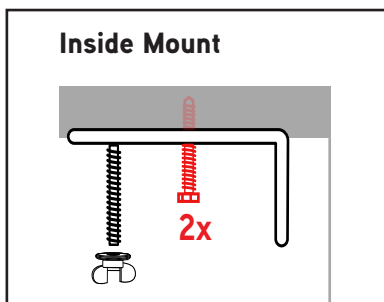
Installing Brackets:

Inside mount: Mount brackets a minimum of 1" - 2" away from the edges of the product depending on the overall width of the shade.

- Attach the brackets to the shade, placing the screw bolt through each route. Hold the shade up and mark the bracket or drill hole positions.
- Align brackets to the marked positions and secure through two holes, ensuring that the bracket tops are aligned and level to one another.



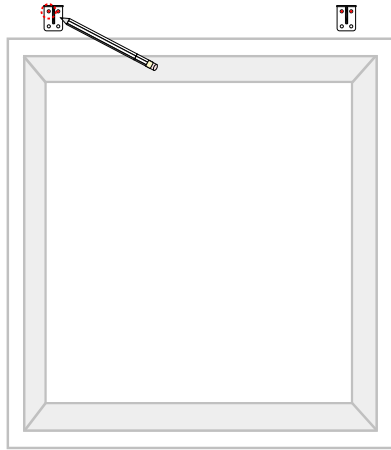
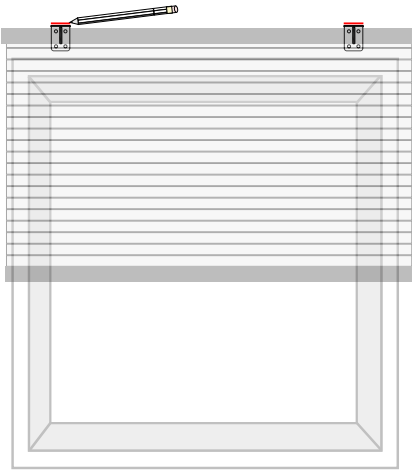
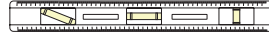
Spacer blocks (optional) will be attached to the end of each bracket. Ensure screws are long enough to secure brackets with spacer blocks. Do not use more than three spacer blocks per bracket. If installing extension brackets, do not use spacer blocks.



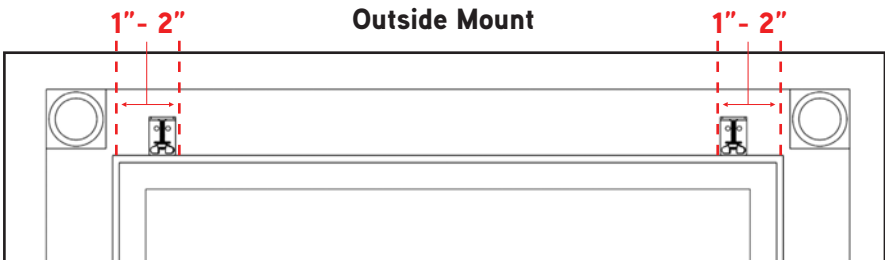
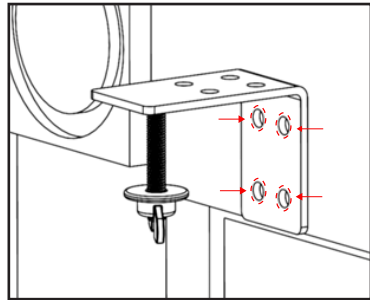
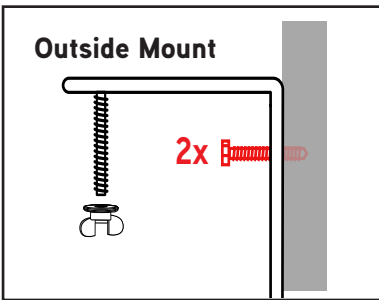
Outside Mount: Outside edge of the brackets should be positioned at a minimum of 2" from the outside of the headrail cassette, note the sticker on the headrail cassette. Use wall anchors for a secure hold. Mark the position of the bracket as illustrated.

- Attach the brackets to the shade, placing the screw bolt through each route. Hold the shade up and mark the bracket or drill hole positions.
- Align brackets to the marked positions and secure through two holes, ensuring that the bracket tops are aligned and level to one another.

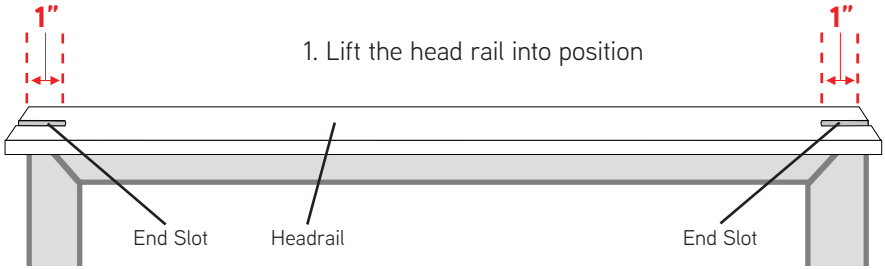
To ensure proper shade operation, mount the brackets level.



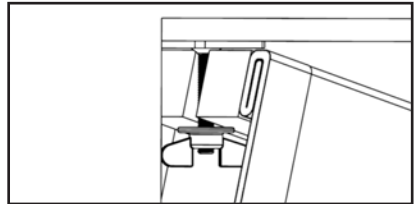
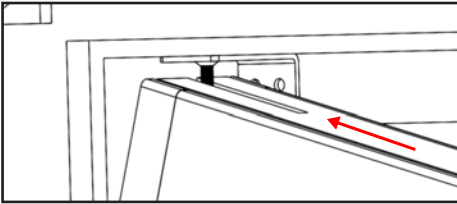
Spacer blocks (optional) will be attached to the end of each bracket. Ensure screws are long enough to secure brackets with spacer blocks. Do not use more than three spacer blocks per bracket. If installing extension brackets, do not use spacer blocks.



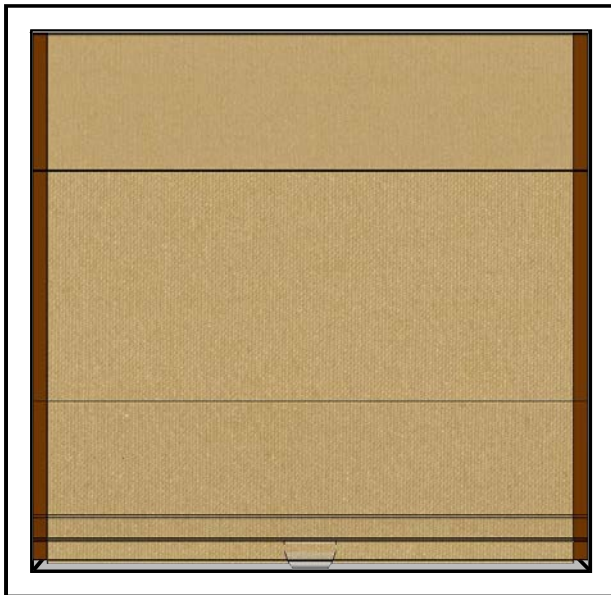
2 INSTALLING THE SHADE | Illustration



2. Slide the headrail into the brackets.



3. Place the wing nut on the post of each bracket and tighten by hand.



CARE AND CLEANING

The soft, delicate feel of woven fabric with the durability of wood materials. It is made from a sturdy, woven fabric and wood slats which can be feather dusted or vacuumed on a low setting. Spots or stains can be lightly rubbed clean with a damp sponge and mild soap. To avoid discoloration of the material, we recommend against the use of chemical cleaners. The woven fabric may also be ultrasonically cleaned.

Remove The Shade

- Fully raise the shade.
- While holding the headrail, remove each wing nut from all screws on the brackets.
- If required, pull the micropleat opacity liner free from the mounting clips by releasing the latch.

Cleaning Procedures

For most fabrics, the following options are available if your shade needs cleaning.

Dust Removal

In most cases, just use a feather duster to gently dust off regularly.

Vacuuming

Use a low-suction hand-held vacuum cleaner to remove dust more thoroughly.

Hair Dryer

Use a hair dryer to turn on the cold air to blow away the dirt and debris between the blades.

Spot Cleaning

- Prepare a solution of warm water and a mild detergent.
- Dampen a clean cloth in the solution and wring out.
- Dab the spot with the dampened cloth until it is gone. Do not rub the fabric.
- Allow the shade to dry in the completely lowered position.

NOTE:

The Warning labels on the bottom-rails of corded window coverings contain important safety information. These warning labels are designed to be permanent, in accordance with the industry's safety standards, and must not be removed.



WARNING



Young children can **STRANGLE** in cord and bead chain loops and in the loop(s) above the cord connector. They can also wrap cords around their necks and **STRANGLE**.

- Always keep cords and bead chains out of children's reach.
- Move cribs, playpens, and other furniture away from cords and bead chains. Children can climb furniture to get to cords.

CHOKING HAZARD:



- Keep cord out of reach from children.
- Remove objects below window.
- Do not tie cords together.
- Make sure safety cords are located 1-2 inches below the headrail.
- Please reference all warning tags in the instructions and on the shade.
- Please keep cords out of children and pets reach, a cord cleat or a cord tensioner device can be found at a local window covering store.



EMERGENCY / FIRST AID

- Remove cord from child's neck
- Call 911 or an emergency Call Center
- Clear the throat
- Check breathing and heartbeat
- Begin CPR if trained

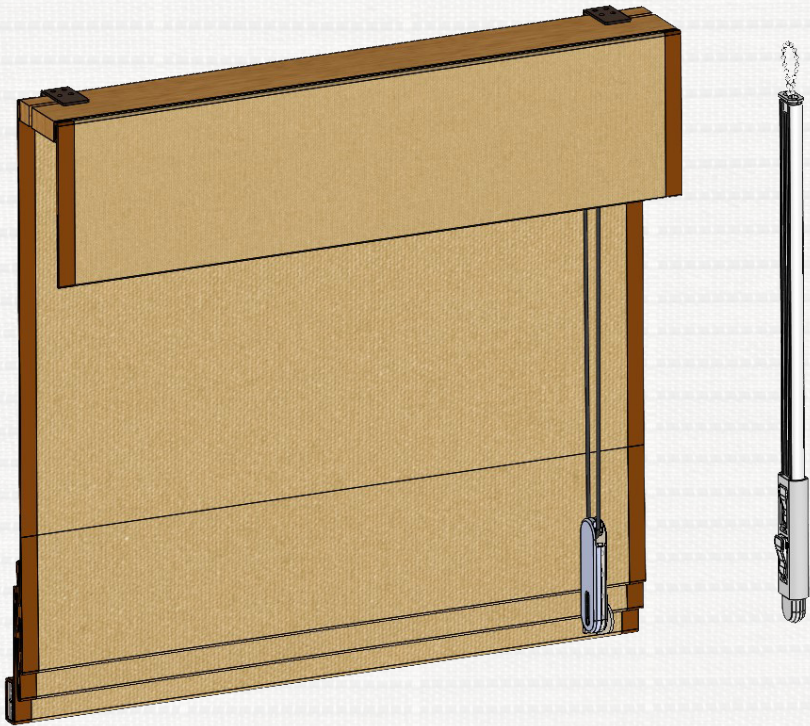
THIS PRODUCT IS...



WOOD Woven

S H A D E S

INSTALLATION GUIDE



Lift Control:

**CONTINUOUS
CORD LOOP**



CONTENTS

SUGGESTED TOOLS (NOT INCLUDED)	2
INCLUDED IN YOUR PACKAGE	3
MOUNTING OPTIONS	4
MOUNTING BRACKETS	5
MOUNTING BRACKETS	6
INSTALLING THE SHADE	7
SAFETY TENSION INSTALLATION (Inside Mount)	8
SAFETY TENSION INSTALLATION (Outside Mount)	9
SAFETY TENSION INSTALLATION (Outside Mount) Continued...	10
CARE AND CLEANING	11
EMERGENCY / FIRST AID	11
WARNING	11

Thank you for Choosing our Wood Woven Shade for your Residential or Commercial Property.

We are confident that you will find our Wood Woven Shade to be of superior quality and value, compared to other shades available.

In this guide, you will find useful information about installation, child safety, cleaning, and warranty when using your shade.

**READ ALL INSTALLATION INSTRUCTIONS BEFORE INSTALLING.
PLEASE KEEP FOR FUTURE REFERENCE / TROUBLESHOOTING.**

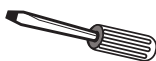
CONTACTING US:

Contact your Dealer regarding any question or concerns about your product.

SUGGESTED TOOLS (NOT INCLUDED)



DRILL
*1/16" drill bit,
and 1/4" hex driver*



SCREWDRIVER
*Flat blade, Phillips,
or 1/4" hex driver*



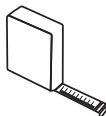
LEVEL



PENCIL



LADDER



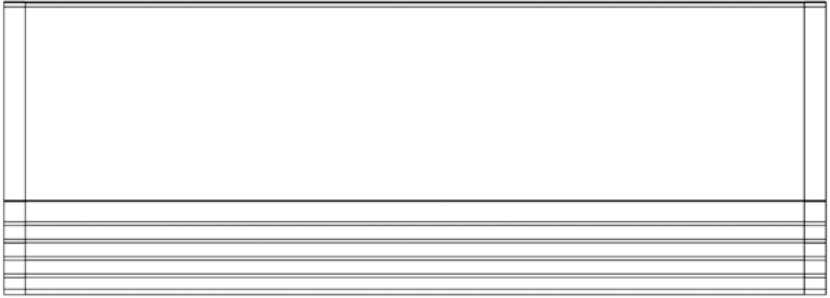
**TAPE
MEASURE**

INCLUDED IN YOUR PACKAGE



WAND
(Optional)

WOOD WOVEN SHADE



CORD TENSIONER

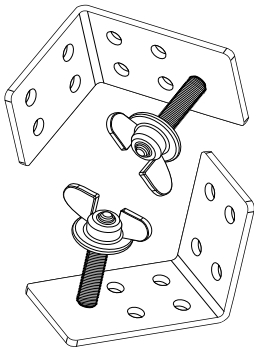
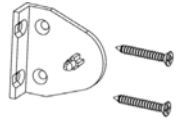
Cord Tension
(Optional)



Chain Tension
(Optional)



WALL BRACKET for outside mount



BRACKETS

Quantity: 2

The wider the shade the more brackets provided - see chart below

SCREWS

Quantity: 4 per packet

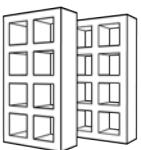


INSTALLATION BRACKET REQUIREMENT CHART

Shade Width	Brackets Required
10" to 39"	2
40" to 78-3/4"	3
78-3/4" or greater	4

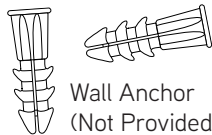
OPTIONAL PARTS: (supplied upon request)

Spacer Blocks (Not Provided)



Use for shades that need more space between the wall.

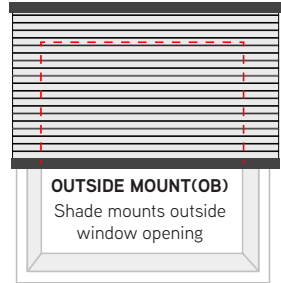
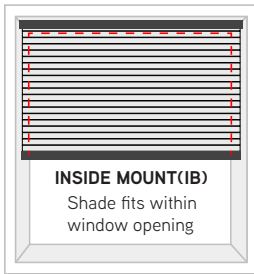
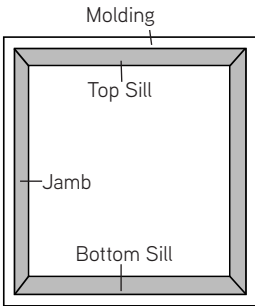
Wall anchors (Not Provided).



Wall Anchor
(Not Provided)

If mounting into drywall, you will need wall anchors to ensure a secure installation.

MOUNTING OPTIONS



Your new shade is custom made to your specifications from the finest fabrics available. The installation should be easy and your shade will look elegant.

Mounting NOTES:

Mounting screws provided are suitable for most mounting surfaces. See below for additional suggestions.

- **For wallboard or plaster:**

Use hollow wall anchors for added support. (not included)

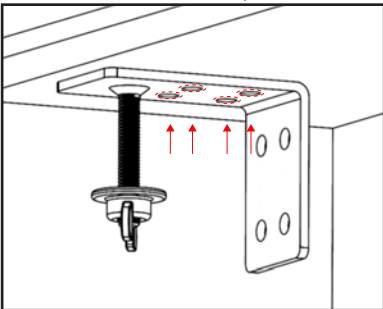
- **For concrete, stone, brick or tile:**

Use an appropriate drill and appropriate anchors before fastening the screws. (not included)

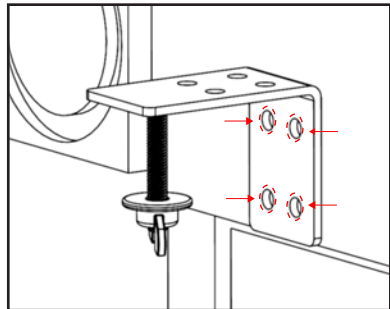
- **For metal surfaces:**

Pre-drill holes and use appropriate drill and appropriate anchors before fastening the screws. (not included)

INSIDE MOUNT: Top of bracket



OUTSIDE MOUNT: Back of bracket



Inside Mount Depth Requirements

Bracket	Minimum Depth	Fully Recessed*	Fully Recessed*
		1-1/2" Depth Headrail	2-1/2" Depth Headrail
Standard	1-1/8"	2-1/2"	2-1/2"
Ceiling	1-1/8"	2-1/2"	2-1/2"
Extension	1-7/8"	1-1/8"	3-1/2"

Outside Mount Surface Space Requirements

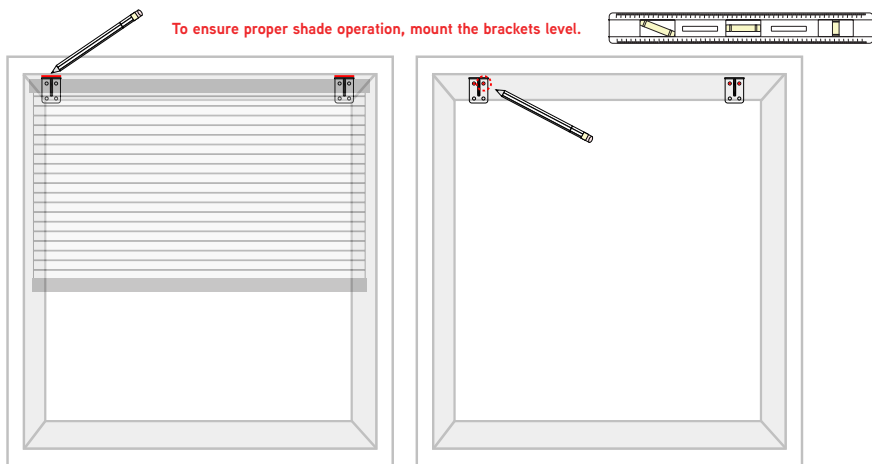
Bracket	Minimum Depth
Standard	1-1/8"
Ceiling	1-1/8"
Extension	1-1/4"

1 MOUNTING BRACKETS | Illustration

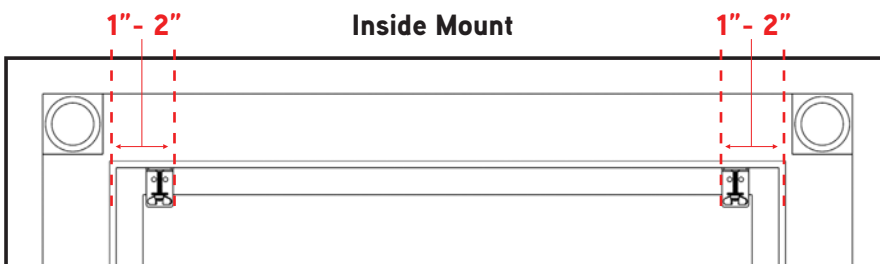
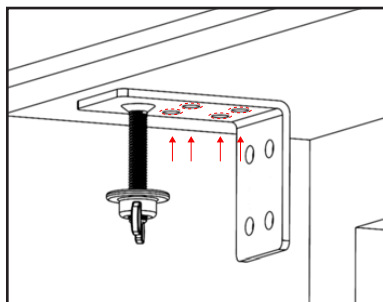
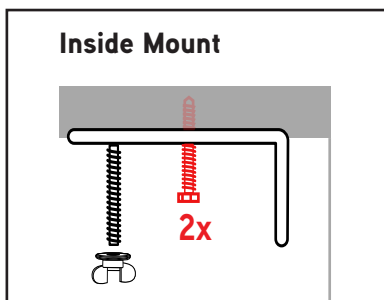
Installing Brackets:

Inside mount: Mount brackets a minimum of 1" - 2" away from the edges of the product depending on the overall width of the shade.

- Attach the brackets to the shade, placing the screw bolt through each route. Hold the shade up and mark the bracket or drill hole positions.
- Align brackets to the marked positions and secure through two holes, ensuring that the bracket tops are aligned and level to one another.



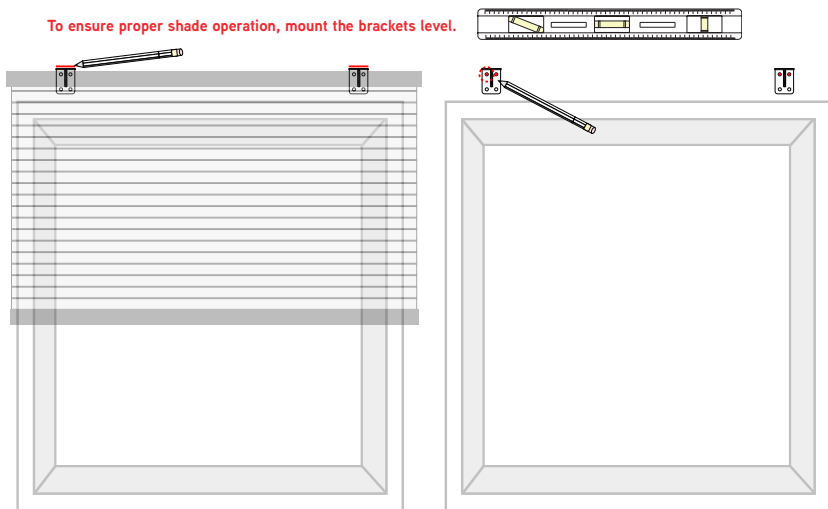
Spacer blocks (optional) will be attached to the end of each bracket. Ensure screws are long enough to secure brackets with spacer blocks. Do not use more than three spacer blocks per bracket. If installing extension brackets, do not use spacer blocks.



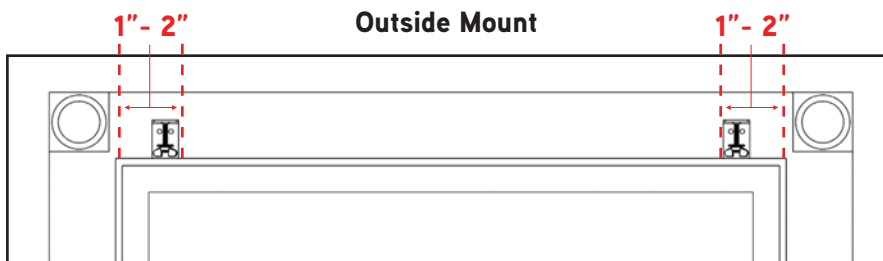
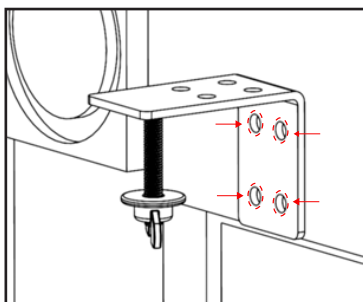
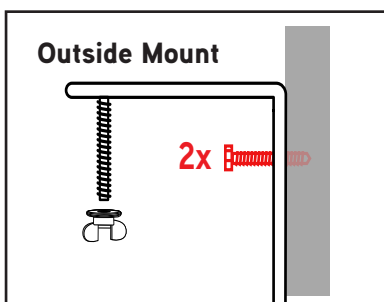
Outside Mount: Outside edge of the brackets should be positioned at a minimum of 2" from the outside of the headrail cassette, note the sticker on the headrail cassette. Use wall anchors for a secure hold. Mark the position of the bracket as illustrated.

- Attach the brackets to the shade, placing the screw bolt through each route. Hold the shade up and mark the bracket or drill hole positions.
- Align brackets to the marked positions and secure through two holes, ensuring that the bracket tops are aligned and level to one another.

To ensure proper shade operation, mount the brackets level.

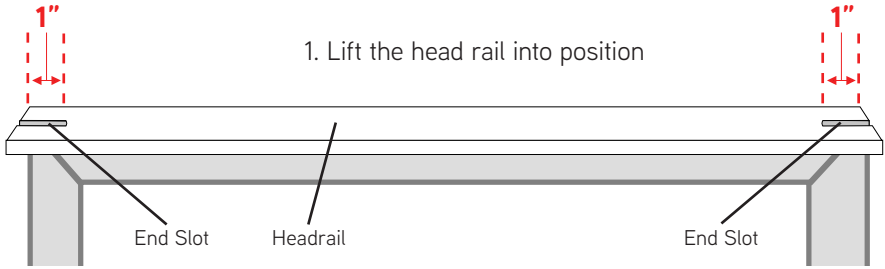


Spacer blocks (optional) will be attached to the end of each bracket. Ensure screws are long enough to secure brackets with spacer blocks. Do not use more than three spacer blocks per bracket. If installing extension brackets, do not use spacer blocks.

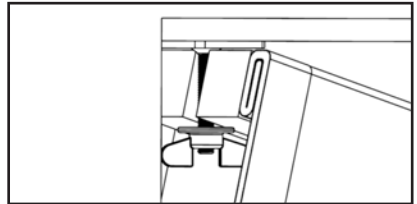
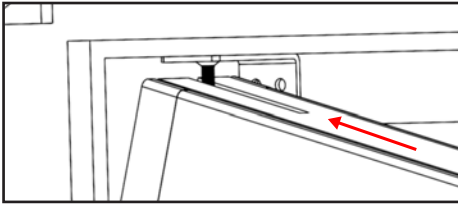


2

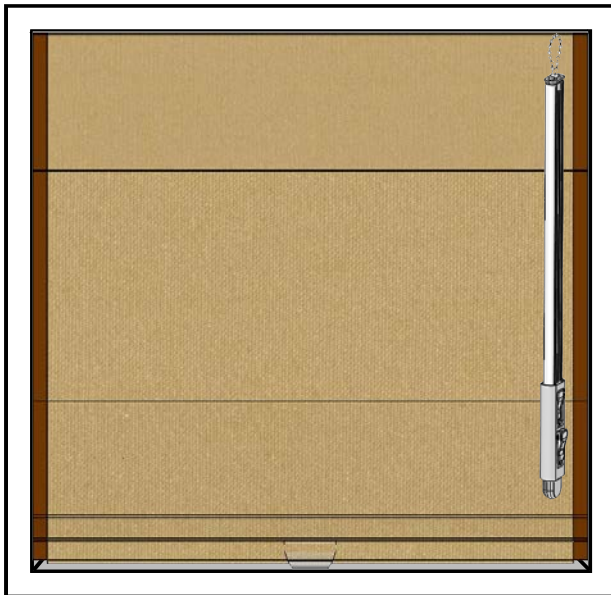
INSTALLING THE SHADE | Illustration



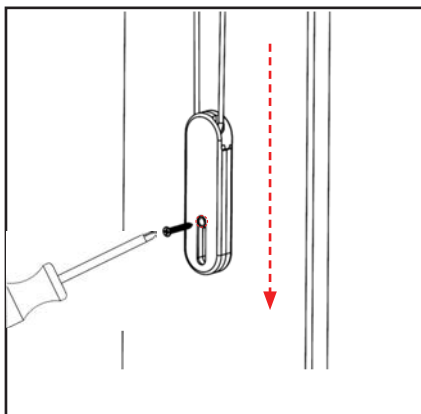
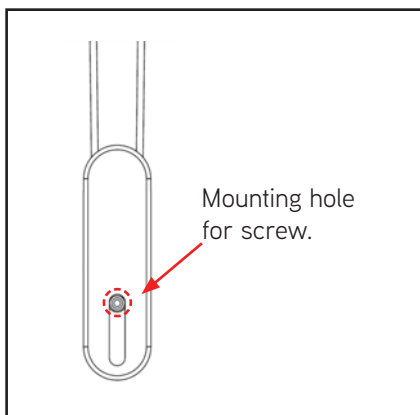
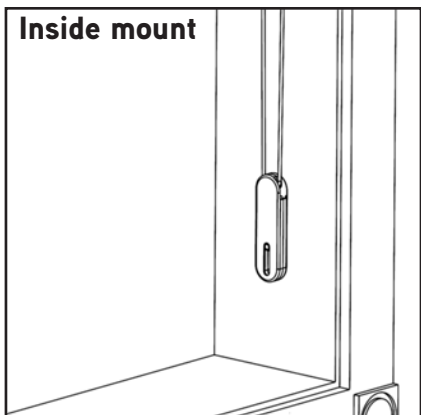
2. Slide the headrail into the brackets.



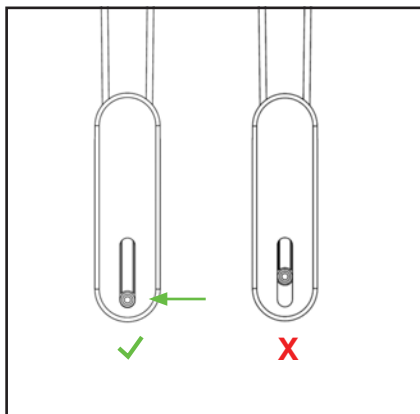
3. Place the wing nut on the post of each bracket and tighten by hand.



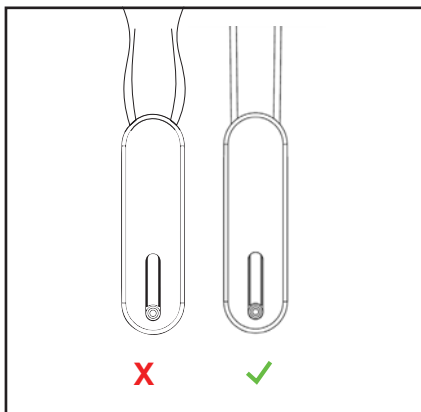
3 SAFETY TENSION INSTALLATION | Illustration



1. Place screw in and pull down completely.



2. Press Screw in mark where screw will go. Once marked, screw in tightly.

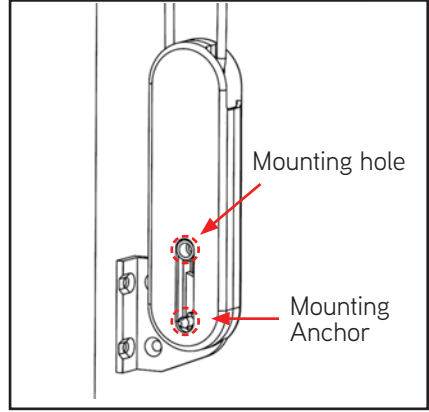
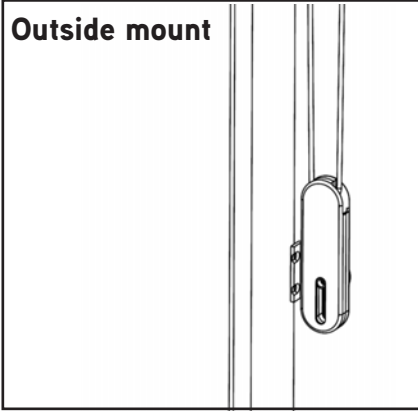


3. Your Tension device cord should be tight and not loose.

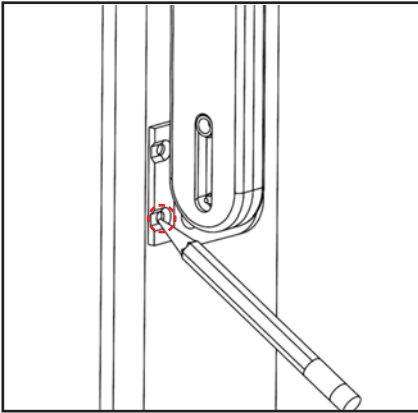
****DISCLAIMER****: ONCE SECURED ON THE WALL MOUNT, TENSION DEVICE WILL BE DIFFICULT TO REMOVE. IF YOU TRY TO REMOVE, THIS MIGHT CAUSE THE TENSION DEVICE OR WALL MOUNT TO SNAP OR BREAK.

Outside mount continued...

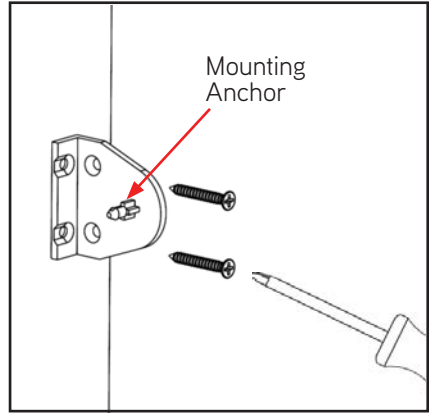
Outside mount



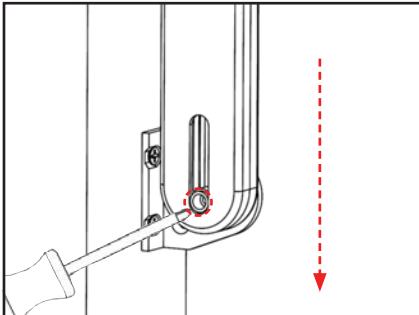
1. Put wall bracket's anchor inside bottom of tension device to line up holes from wall mount onto window frame. **mountin ghole on tension device will be in upright position**



2. Mark window frame through wall bracket for screws with pencil, pen or marker.

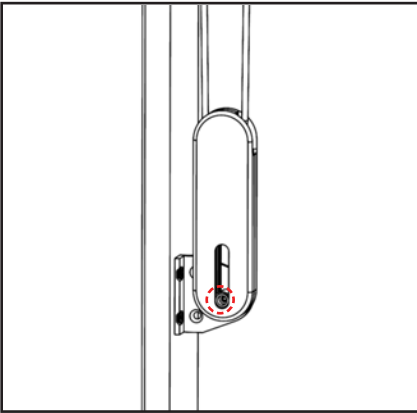


3. Tighten screws into wall bracket lined up with previous markings.

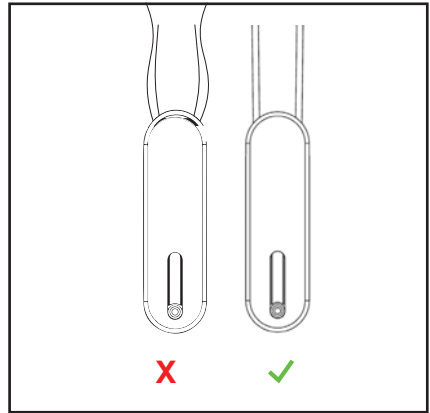


4. Take tension device and pull down mounting hole to match anchor on wall bracket using screwdriver.

Outside mount continued...



5. Insert anchor into mounting hole on tension device until you hear a click.



Your Tension device cord should be tight and not loose.



****DISCLAIMER**:** ONCE SECURED ON THE WALL MOUNT, TENSION DEVICE WILL BE DIFFICULT TO REMOVE. IF YOU TRY TO REMOVE, THIS MIGHT CAUSE THE TENSION DEVICE OR WALL MOUNT TO SNAP OR BREAK.

CARE AND CLEANING

The soft, delicate feel of woven fabric with the durability of wood materials. It is made from a sturdy, woven fabric and wood slats which can be feather dusted or vacuumed on a low setting. Spots or stains can be lightly rubbed clean with a damp sponge and mild soap. To avoid discoloration of the material, we recommend against the use of chemical cleaners. The woven fabric may also be ultrasonically cleaned.

Remove The Shade

- Fully raise the shade.
- While holding the headrail, remove each wing nut from all screws on the brackets.
- If required, pull the micropleat opacity liner free from the mounting clips by releasing the latch.

Cleaning Procedures

For most fabrics, the following options are available if your shade needs cleaning.

Dust Removal

In most cases, just use a feather duster to gently dust off regularly.

Vacuuming

Use a low-suction hand-held vacuum cleaner to remove dust more thoroughly.

Hair Dryer

Use a hair dryer to turn on the cold air to blow away the dirt and debris between the blades.

Spot Cleaning

- Prepare a solution of warm water and a mild detergent.
- Dampen a clean cloth in the solution and wring out.
- Dab the spot with the dampened cloth until it is gone. Do not rub the fabric.
- Allow the shade to dry in the completely lowered position.

NOTE: The Warning labels on the bottom-rails of corded window coverings contain important safety information. These warning labels are designed to be permanent, in accordance with the industry's safety standards, and must not be removed.



STRANGLE HAZARD:

STRANGLE in cord and bead chain loops and in the loop(s) above the cord connector. They can also wrap cords around their necks and STRANGLE.

- Always keep cords and bead chains out of children's reach.
- Move cribs, playpens, and other furniture away from cords and bead chains. Children can climb furniture to get to cords.



CHOKING HAZARD:

- Keep cord out of reach from children.
- Remove objects below window.
- Do not tie cords together.
- Make sure safety cords are located 1-2 inches below the headrail.
- Please reference all warning tags in the instructions and on the shade.
- Please keep cords out of children and pets reach, a cord cleat or a cord tensioner device can be found at a local window covering store.



EMERGENCY / FIRST AID

- Remove cord from child's neck
- Call 911 or an emergency Call Center
- Clear the throat
- Check breathing and heartbeat
- Begin CPR if trained

THIS PRODUCT IS...



WOOD Woven

S H A D E S