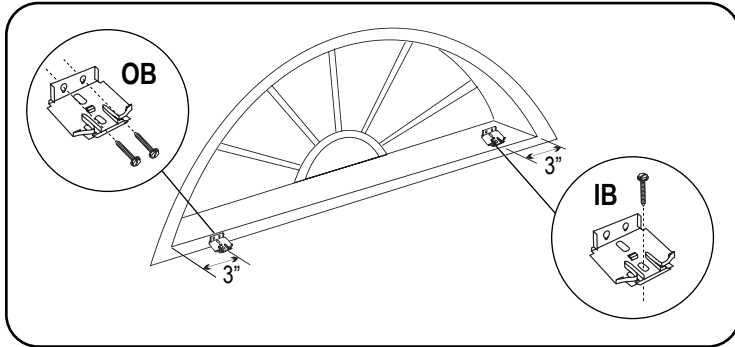


# INSTALLATION INSTRUCTIONS

## HONEYCOMB SHADES

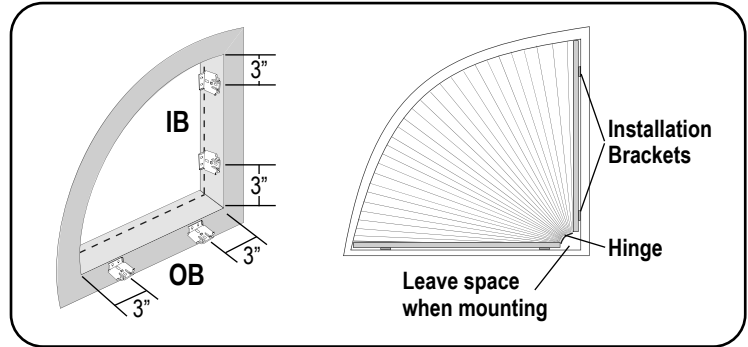
### Stationary Fan Style Arch | Half Circle & Quarter Round

#### 1a. Install the Brackets — Fan Style Arch



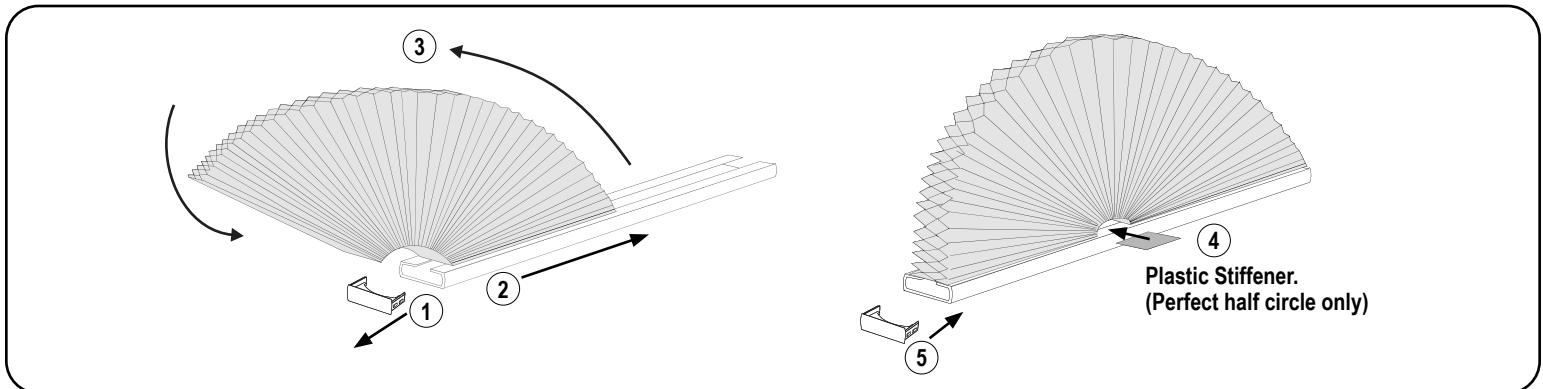
Mount end brackets 3" from each side and space any remaining brackets evenly. Make sure that all brackets are aligned and level. For the best fit on a non-perfect half circle in a deeply recessed window opening, position the brackets so that the arch is installed close to the original depth that the template was made.

#### 1b. Install the Brackets — Quarter Round



Mount the brackets to the vertical and horizontal mounting surfaces. Place brackets approximately 3" from the bottom and the top along the vertical mounting surface. Then, place a bracket approximately 3" in from both edges of the horizontal mounting surface.

#### 2. Shade Assembly — Fan Style Arch Only



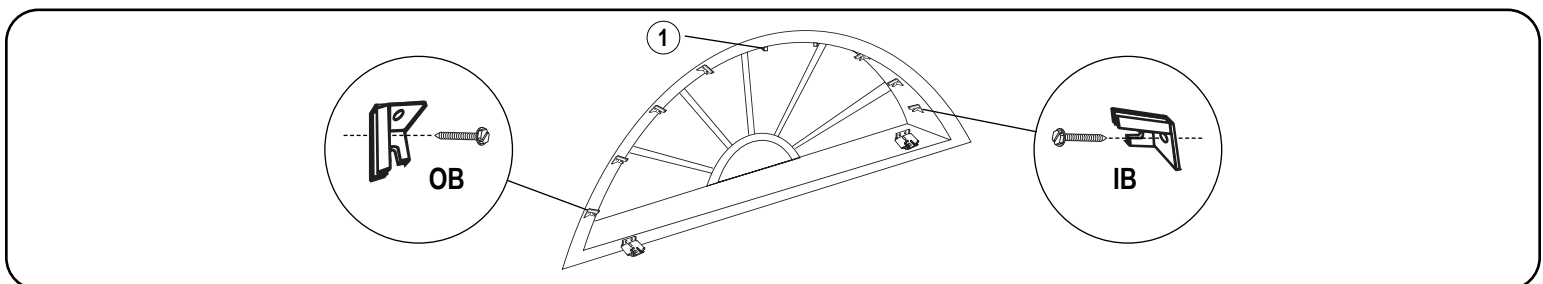
**NOTE:** Not perfect half circles have a straight edge on one end of the fabric and the other has a trimmed (jagged) edge. Orient the fabric so that the trimmed (jagged) edge, when fanned out, will become the outside edge of the arch. The straight side of the fabric stack will form the inner circle of the arch.

First, remove the end caps from the rail. Then, fan the fabric out and slide the free stiffened cell of the fabric into the rail so that the ends of fabric match up with the ends of the bottom rail. Inside the center of the rail, mark where the stiffened fabric ends.

For perfect half circles only, cut the plastic stiffener provided to fit the pivot opening. Then, peel the paper liner off the stiffener and adhere it to the bottom rail in the inner circle of the arch.

Finally, install the endcaps back into place; the four circular dimples on the end caps should face down.

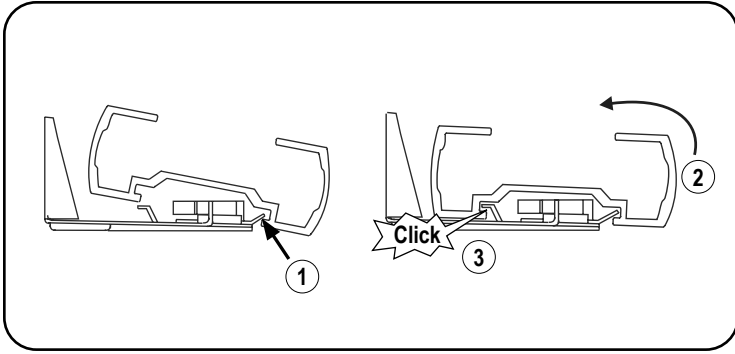
#### 3. Arch Support Clip Installation



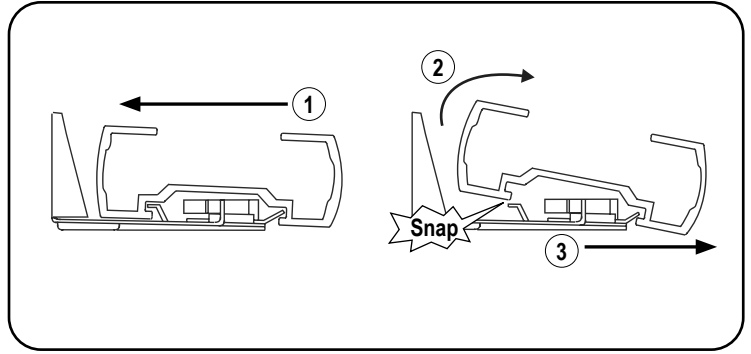
Position the clips so that the back of the clips are the same depth as the back of the installation brackets. First, place a clip at the top center of the window opening and then, space remaining clips evenly apart. Screw the arch support clips to the mounting surface through the hole in the top of the clip (IB) or through the slot in the back (OB).

# INSTALLATION INSTRUCTIONS

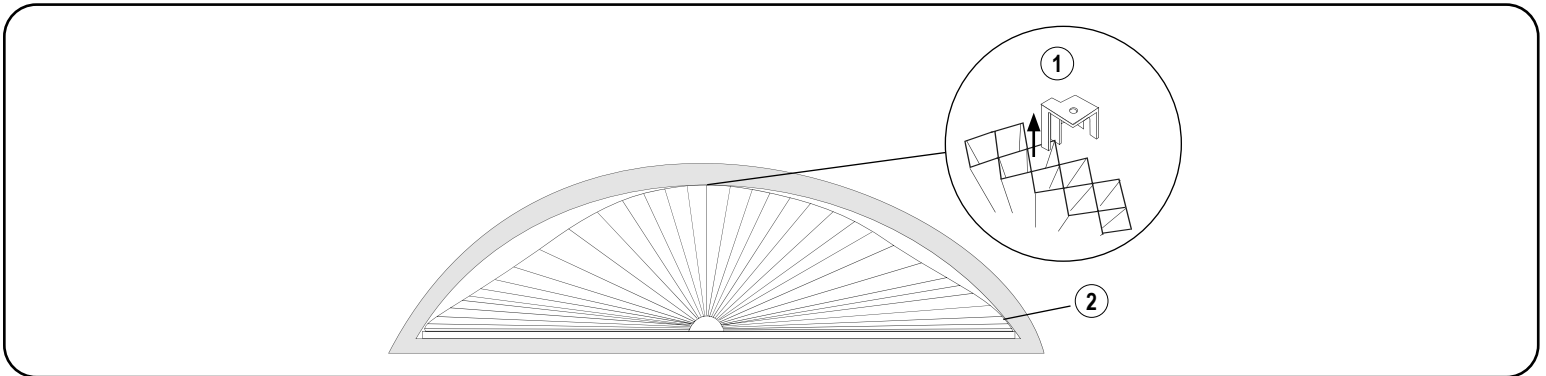
## 4a. Shade Installation



## 4b. Shade Removal — Only if necessary



## 5. Place Fabric Into Clips



First, find the center of the fabric. Gently press on the fabric until you are able to get the back cell into the top center support clip. Then, go to the first clip up from the bottom of the arch and gently lift and fan out the fabric until the first section fits the window opening. Gently press on the fabric until you are able to get the back cell into the support clip. Repeat for remaining clips. Check the fit of the arch shade. Reposition the fabric in the clips, if necessary.

## Child Safety

Young children can **STRANGLE** in cord loops and in the loop above the cord stop. They can also wrap cords around their necks and **STRANGLE**.

- Always keep cords out of children's reach.
- Move cribs, playpens and other furniture away from cords.  
Children can climb furniture to get to cords.
- Do not tie cords together.
- Make sure cords do not twist together and create a loop.

<b>WARNING/ADVERTENCIA</b>	
5.1.3	Rev. 5/18 Print 5/18
	Window Blind Cord Can <b>STRANGLE</b> Your Child. To prevent strangulation, purchase cordless products or products with inaccessible cords.
	La cuerda de la persiana puede <b>ESTRANGULAR</b> a su niño. Para evitar el estrangulamiento, compre alternativas cuerda o productos con cuerdas inaccesibles.

