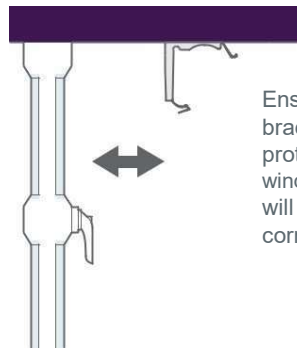


Locating the brackets



The position that you place the outermost brackets must be 5cm away from the end of the rail. Any additional brackets (supplied for wider blinds) can then be evenly distributed across the window space. Use a pencil to mark the window area where the brackets will be positioned.

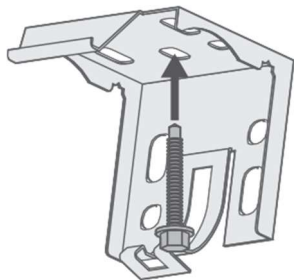


Ensure that the back of the bracket sits clear of any protruding items such as window handles or vents. This will allow the blind to hang correctly once installed.

Fitting the brackets

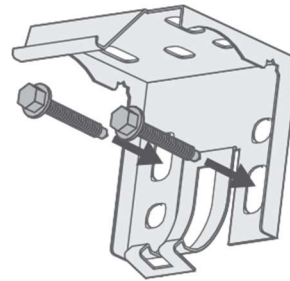
1

The brackets offer two methods of installation:



Top-Fixing

Use the single hole in the top of the bracket to fix to the lintel (the 'ceiling' of the recess).

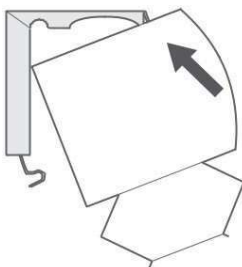


Face-Fixing

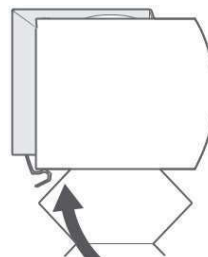
Use two screws through the back plate to mount onto a facing surface (a wall or window frame)

Fitting the blind

2

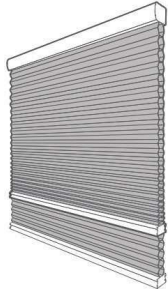


Situate the front lip of the headrail into the front hook of the bracket.

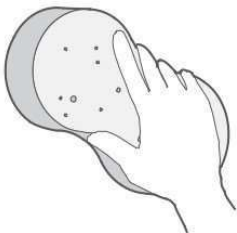


Push the back of the headrail upwards to engage the metal clip at the back of the bracket.

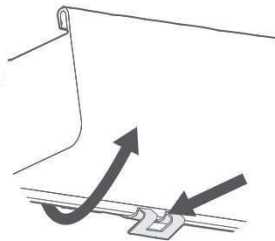
Additional Information



If the blind appears too short when fitted, don't worry, it can take some time for the pleats to settle and loosen up when the blind is new. Leave the blind lowered for 24 hours and you should find that it begins to settle quite quickly. If you want to help it along, you can simply pull the blind down to its fullest extent and brush your hand vigorously down the pleats from top to bottom. **Do not attempt to adjust the cords.**



Cleaning the blind is easy; keep it free of dust using the brush attachment of a vacuum cleaner, and clean any marks or stains using a damp cloth or sponge. **Do not soak the blind fabric as this can cause the pleats to lose their shape.**



To remove the blind from the brackets, insert a flat head screwdriver into the tab protruding from the bottom of the rail, then gently pry it back while tilting the back of the rail downwards. Repeat this carefully for each bracket to release the rail.



Please use both hands on the bottom bar to ensure the shade is raised and lowered in parallel. Failure to do so can cause the bottom bar to become uneven.

Installation Guide

No-Drill Blinds Headrail



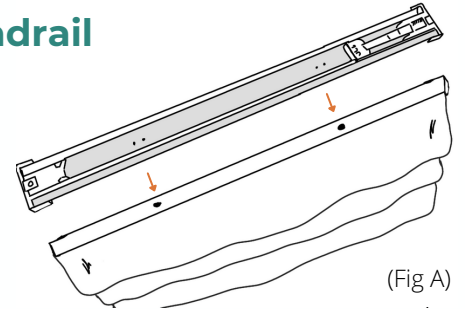
The difficulty level of this installation is ranked at **Level 1**. *A piece of cake!*

If you have questions or get stuck, call our Customer Care Team at 888-257-1840, or email customer care@selectblinds.com

Remove the No-Drill Blinds Headrail

The No-Drill Blinds Headrail will already be installed onto the existing product headrail.

Remove the product from the headrail (See Fig A), which will vary from product and depend on lift type.

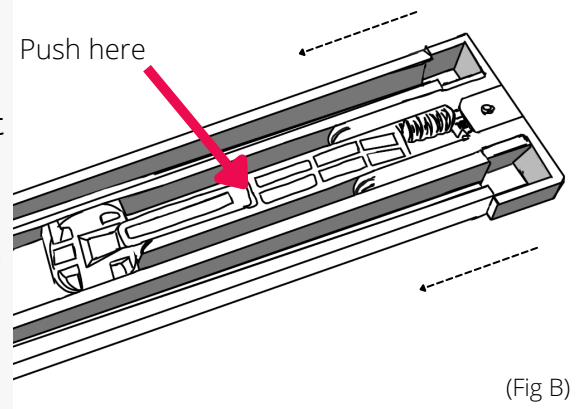


(Fig A)

1. Preparing the No Drill Blinds Headrail

Pull the lever from below or push down on the mechanism from above to retract the tension boot (See Fig B).

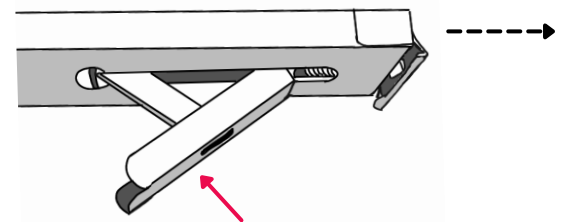
Install the metal strips or padded adhesive tape on opposite sides of the window opening where you'll be installing the No-Drill Blinds Headrail. This is optional and only available on larger products.



(Fig B)

2. Installing the No Drill Blinds Headrail

Insert the No-Drill Blinds Headrail into the window opening, make it flush with the top of the window opening, then push on the lever to extend the tension spring and secure the No-Drill Blinds Headrail. (See Fig C)

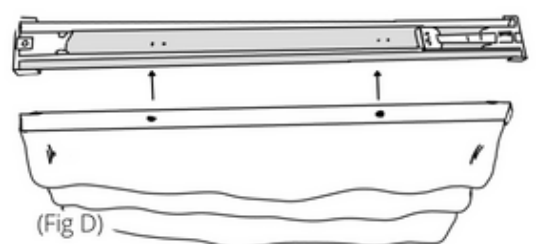


Push the lever in here to extend the spring end.

(Fig C)

3. Installing the Product

Install the product onto the brackets (See Fig D). Test and operate the product to ensure secure installation and smooth functionality.

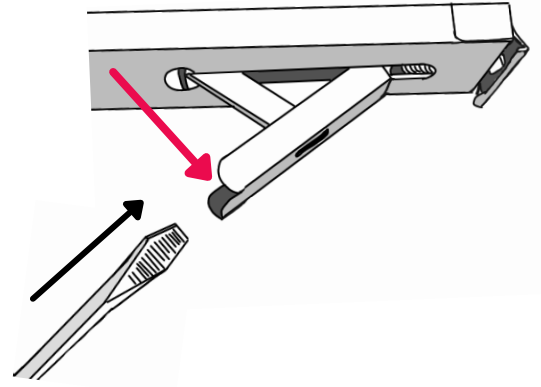


(Fig D)

Uninstalling the No Drill Blinds Headrail

To uninstall the product, follow step 1 by removing the product from the headrail and use a screwdriver to unlatch the lever.

Make sure to hold the No Drill Blinds Headrail in place while unlatching the lever. This will prevent damage to the window or headrail.



Tech Tip

If the fixed boot end was accidentally forced out, use a flathead screwdriver to twist the red "droplets" towards the center and then push it back in.

