

HONEYCOMB FULL BLACKOUT SHADES

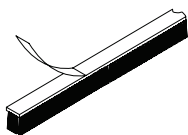
LIFT SYSTEMS: CORDLESS LIFT



The difficulty level of this installation is ranked at **Level 2 - You got it!**

If you have questions or get stuck, call our Customer Care Team at 888-685-1735, or email service@selectblinds.ca

HARDWARE AND PARTS INCLUDED



ADHESIVE WEATHER BRUSH STRIP

TOOLS REQUIRED



PENCIL



TAPE MEASURE



LEVEL



STEP LADDER

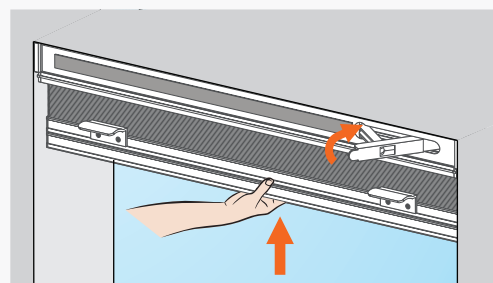
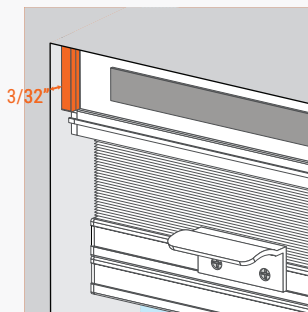
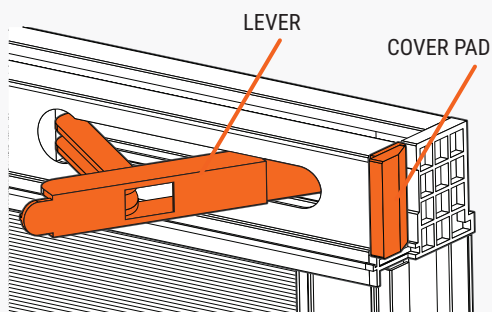


ATTACHING THE SHADE

1. Hold the Headrail up against the top of the window opening and make it flush.

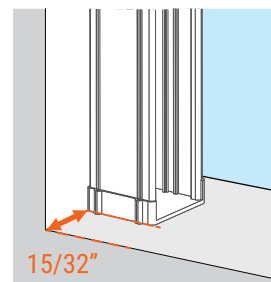
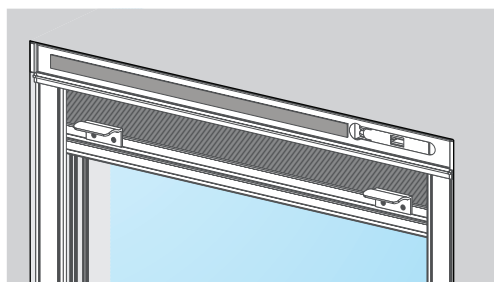
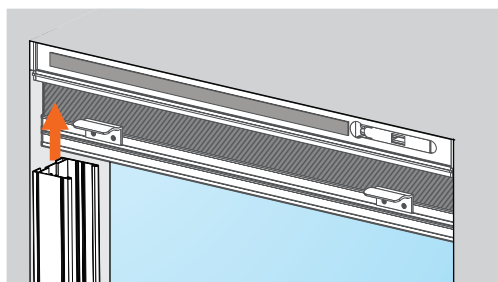
NOTE: Ensure that the lever is loose and leave around 3/32" the cover pad at and the edge of the window opening before moving on to the next step.

2. Hold the blind in position then push the lever firmly upwards until the rail snaps into place.

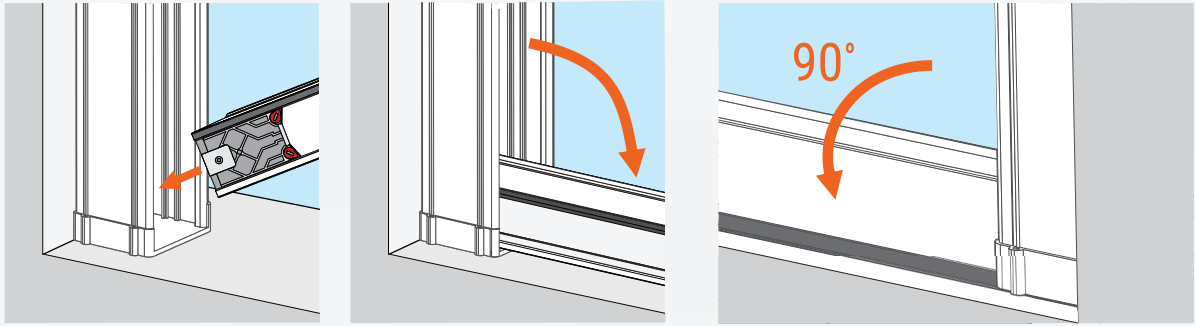


3. Holding the side channel upwards as you straighten it up, slotting it up onto the endcap of the blind's headrail, so that the channel sits flush against the underside of the headrail. Do the same for both side channels.

NOTE: The distance between side rail end cap and the edge of the window opening should be around 15/32" to keep it stand straight.



4. Insert the bottom channel into one of the side channels with the bottom channel's bottom side oriented outward and angled up at the other end. Press the raised end of the bottom channel down then rotate it 90 degrees until the channel is flat and level.



5. Press the bottom rail, then lock it into place by pushing the lever down until it snaps into place. Push the right-handed side channel toward the window frame to prevent light gaps.



6. Finally, attach the cassette cover to finish. The cover simply attaches with magnets, just line up the magnets on the back of the cover with the strip on the front of the blind's headrail and press into place.



TIP: Most window frames are not perfectly straight and level, so before going any further, pull the blind's handle down until the blind is fully lowered. There is a brush strip sent together with the blind, if you noticed any light gaps, take the side channel back down and stick the brush strips to the lip of the side channels.



NOTE: This blinds is not recommended for slanted corner or curved window frames due to insufficient surface area for installation.