



# Corded System

## SUGGESTED TOOLS (not included)



## BEFORE YOU BEGIN YOUR INSTALLATION

Your new 2" x 2.5" Fabric Blind is custom made to your specifications from the finest fabric available. The installation should be easy and your blind will look elegant.

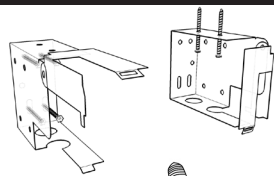
### Mounting Options

- Inside mount: Blind is mounted inside the window frame, either to the top of the frame or to the sides.
- Outside mount: Blind is mounted either on or outside the window frame.
- Note: Mounting screws provided are suitable for most mounting surfaces. See below for additional suggestions.
- For wallboard or plaster: Use hollow wall anchors for added support.
- For concrete, stone, brick or tile: Use an appropriate drill and appropriate anchors before fastening the screws.
- For metal surfaces: Pre-drill holes and use appropriate anchors before fastening the screws.

## PARTS

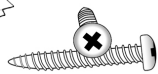
### Box Brackets

Quantity: 2



### Screws

Quantity: 8 per packet

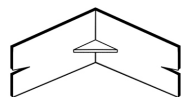


### Valance Clips

Quantity: 2 or more depending on width of blinds



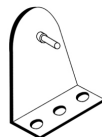
## OPTIONAL PARTS



### Side Return "L" Clips

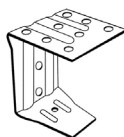
Quantity: 2

Use for outside mount returns only



### Hold Down Brackets

To hold the bottom rail of the blind in place i.e. for a door window



### Center Support Bracket

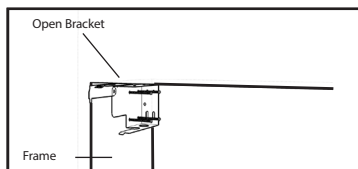
Use with box brackets for blinds wider than 42.5"

## 1 MOUNTING BRACKETS

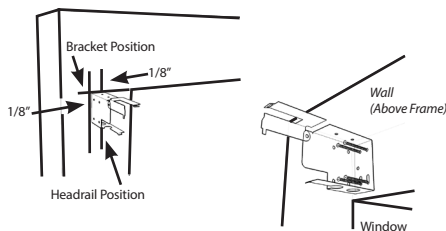
- Using 4 screws per box bracket, fasten the brackets to the mounting surface. Always use 4 screws. Leave brackets in open position.

### Using Box Brackets

- **Inside mount:** Mount brackets in the corners of the frame.



- **Outside Mount:** Outside edge of the brackets should be positioned 1/8" to outside of the headrails end mark. Mark position of the bracket as illustrated.



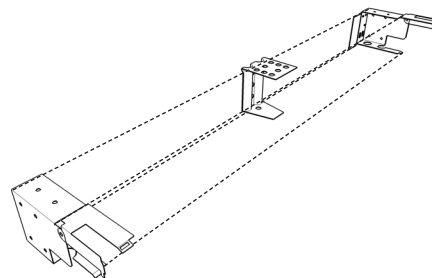
## 2 MOUNTING CENTER SUPPORT BRACKETS

(only for blinds over 42.5" wide)

- When only one center support bracket is provided, position the center bracket in the of the

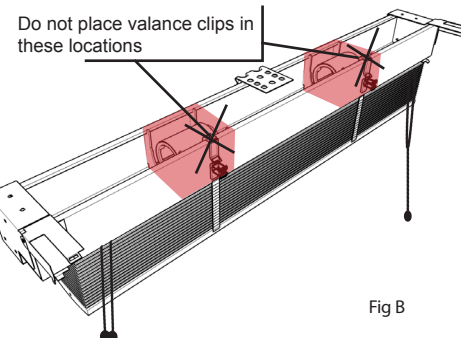
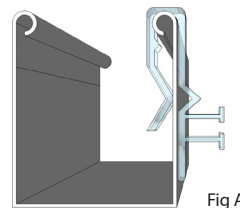
two mounting brackets. The center bracket must be 2" to 3" to the right or left of center to make sure it does not interfere with mechanical components of the blind. (If more than one center bracket is provided, they should be spaced evenly between the two mounting brackets.)

- Using 4 screws per bracket, fasten the bracket(s) to your window frame or wall. For inside mount, use the top 2 holes or 4 side holes. For outside mount, use the back 4 holes.

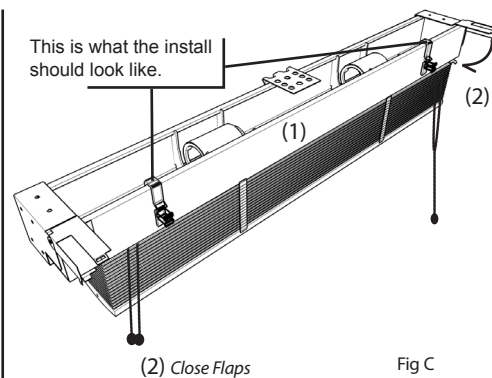


## 3 INSTALLING THE BLIND INTO THE BRACKETS

- The clips should align to the plastic channel on the back of the valance.
- Important step (Fig. A) Clip the valance clips onto the headrail. DO NOT attach valance clips to the front of the cylindrical drum location, as shown in (Fig. B). DO NOT attach the valance at this time.

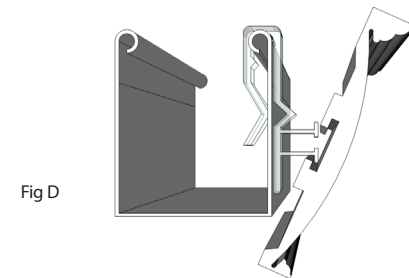


- (Fig. C) Make sure the blind is in the closed position to make this step easier. Fit the headrail into the brackets (1) and close the swing flaps (2).



## 4 ATTACH THE VALANCE

- Hold the valance up to the head-rail and clip the valance to the valance clips as illustrated (Fig. D).



## 5 INSTALLING THE VALANCE SIDE RETURNS

- (See Fig. E) Locate the channel on the back of the valance and one side return, insert the plastic "L" clip in each mitered edge.
- Repeat with other side return, making sure they fit snugly together.
- Install assembly valance as illustrated in Step 4.(Fig. D)

