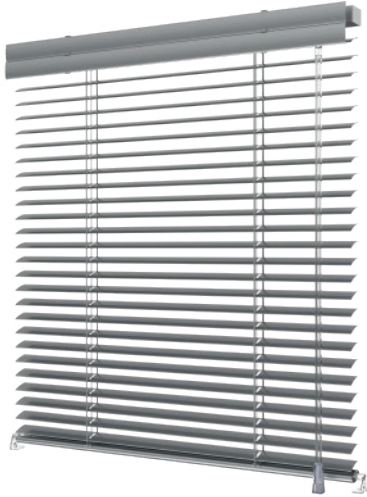
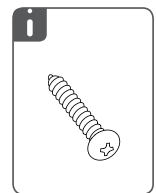
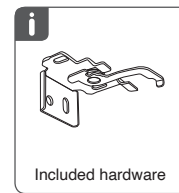
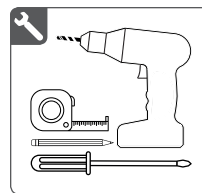


# ALUMINUM BLINDS INSTALLATION MANUAL:

Read the instructions carefully before assembling and using the product.  
Assembling process can be completed by non-professionals. For indoor use only.



## NEEDED TOOLS AND COMPONENTS



## MOUNT TYPES

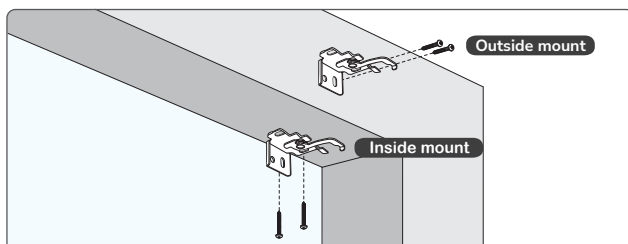


When choosing **inside mount**, the blind will be installed inside the windowframe.

For **outside mount**, the blind will be installed outside the windowframe. For this type of mount, consider ordering your shade slightly wider and higher than the width and height of your windowframe. We recommend increasing at least 5" to both width and height in relation to your windowframe when ordering your blind for outside mount.

Please do consider that we deduct 1/4 of an inch when producing our blinds in order to ensure an easy fit when choosing inside mount installation. Since this deduction is made on all of our blinds regardless of the type of installation you choose, please consider this when ordering you blind for outside mount.

## BRACKET INSTALLATION

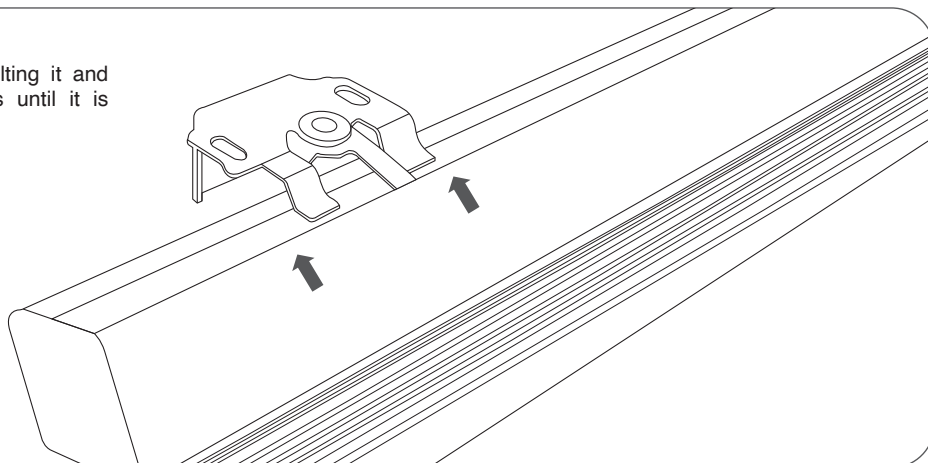


Mark the location of the screws using brackets as a guide. Drill holes for the screws and install the brackets (depending on the material of your walls, you might need to use drywall anchors).

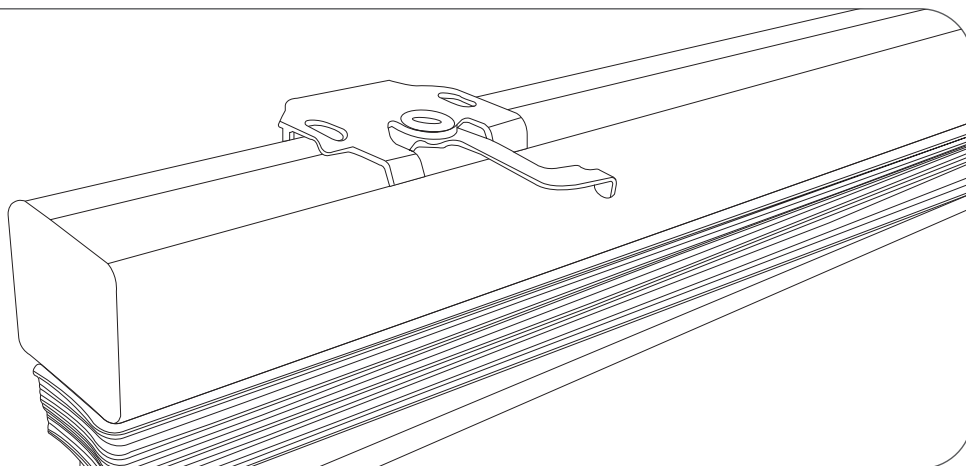
**Important:** Make sure brackets are perfectly aligned to each other before attaching your shade.

# CASSETTE INSTALLATION

Place the cassette by slightly tilting it and push it onto the bracket hooks until it is securely in place.



It should look like this.



Secure the installation by turning the bracket lever to the left.

