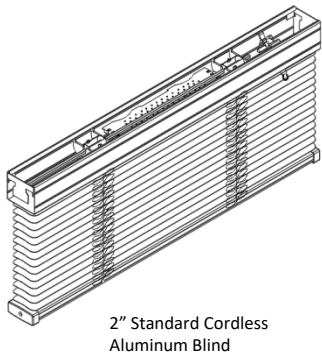


# 2" Standard Cordless Aluminum Blind Installation and Care Instruction

**1. Identify your aluminum blind and parts** (your parts may vary, depending on the custom request & size of the blind you are purchasing).



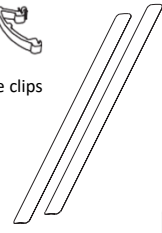
2" Standard Cordless Aluminum Blind



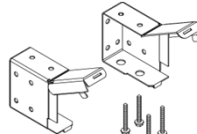
Wand



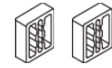
Valance clips



Valances



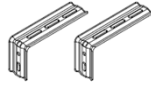
Box brackets & screws



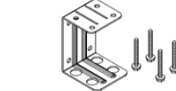
Spacers (optional)



Hold down brackets & screws (optional)



Extension brackets (optional)

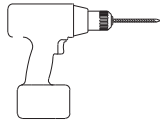


Center support & screws (for the blind wider than 36"W)

Blind Width	Center Support Quantity	Box Bracket Quantity
< 36"	0	2
36" ~ 72"	1	2

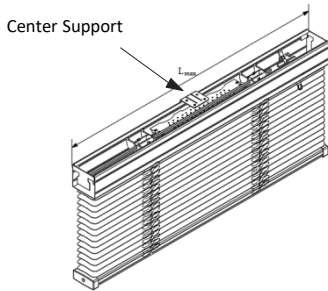
## 2. Tools you may need (not included)

- Drill with bits
- Screwdriver
- Metal tape measure
- Pen

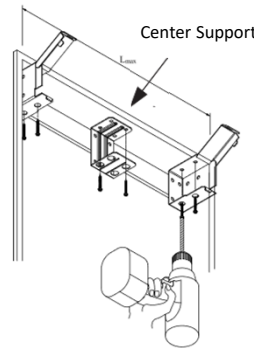


## 3. Mount the blind with the box brackets (and a center support when the blind is wider than 36 inches)

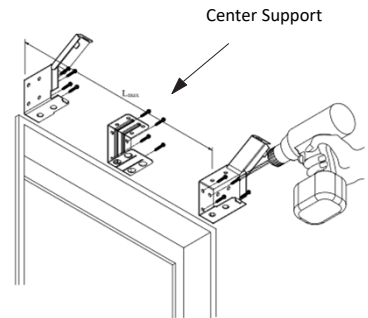
- Mount the box bracket at each end of the headrail. Use 2 screws for each box bracket and fasten them tightly.
- When the blind width is wider than 36", install a center support at the center of the headrail.



Center Support



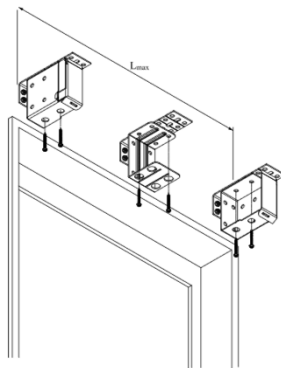
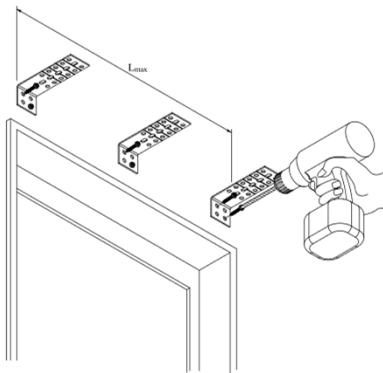
Inside Mount



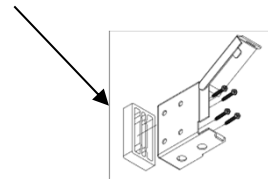
Outside Mount

- Install the blind with extension brackets (optional).
  - Install the extension bracket with at least 2 screws.
  - Attach box brackets (and the center support when required) to extension brackets with screws.

- The spacer is optional and installed behind the box bracket (and the center support).



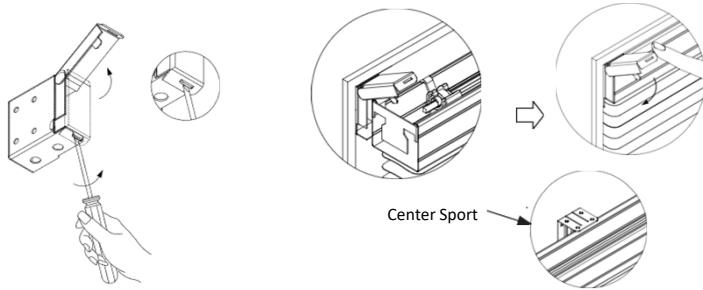
Spacers



Optional - Add the spacer behind the box bracket if needed.

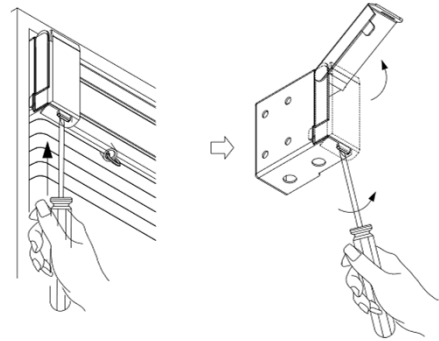
#### **4. Mount the blind**

- Unlock the box brackets with a flat head screwdriver.
- Mount the blind in the brackets (use the center support when the blind is wider than 36"W)
- Close the door on the bracket and hear a "click".



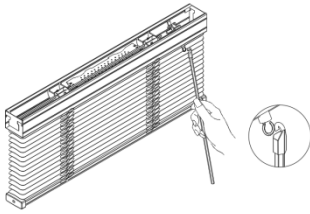
#### **5. To remove the blind from box brackets**

- Use a flat head screwdriver to open the door of the box bracket.
- Remove the blind.



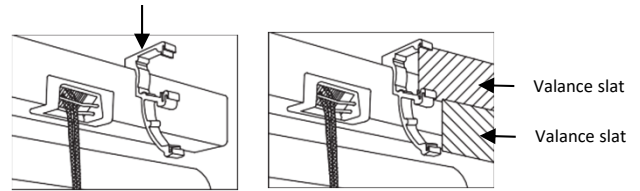
#### **6. Attach the tilt wand**

- Attach the tilt wand onto the wand hook located on the headrail.



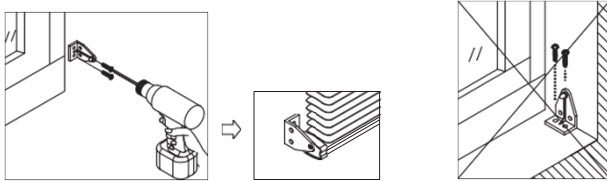
#### **7. Install the valances**

- Push the valance clip down onto the headrail until you hear it "clicks" into place.
- Slide the valance slats through the track of the valance clip.



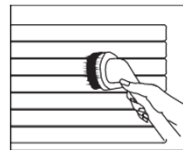
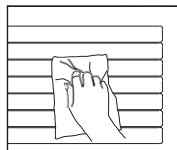
#### **8. Attach the optional hold down brackets**

- Install the hold down brackets to the wall (for outside mount) or the jamb of the window frame (for inside mount), not on the sill of the window frame.
- Tighten the screws.



#### **9. Care and cleaning**

- Wipe the blinds periodically with a soft dust cloth or dusting mitt, or vacuum with a soft brush attachment.
- You may clean the blinds using a non-scratch sponge or dampened soft cloth with a mild non-abrasive detergent. Never use hot water, solvents, or harsh or abrasive cleaners to clean blinds.
- Note: Damages caused by improper cleaning are not covered by the warranty.



#### **To Operate Your Blind**

Important: Always tilt the slats horizontally before raising or lowering the blind. This step increases the life of the blind.

#### **To Lower Your Blind**

Simply pull the bottom rail down with 2 hands until the blind reaches your desired level. The blind locks automatically.

#### **To Raise Your Blind**

Raise the bottom rail with 2 hands until the blind reaches the desired height. The blind locks automatically.

#### **To Tilt Your Blind**

Rotate the wand to attain desired slat position.