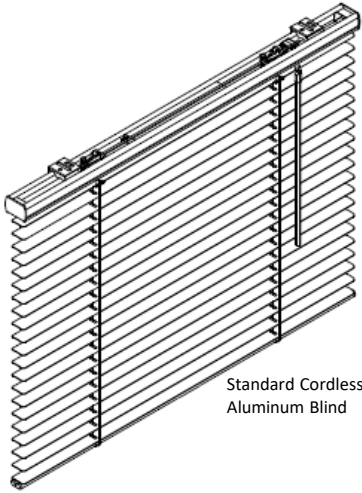
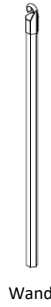


Micro (1/2") Standard Cordless Aluminum Blind Installation and Care Instructions

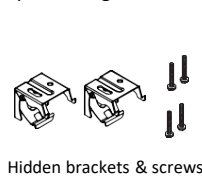


Standard Cordless Aluminum Blind

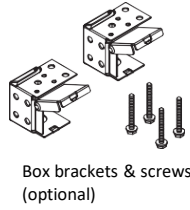


Wand

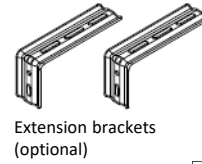
1. Identify your aluminum blind and parts (your parts may vary, depending on the custom request & size of the blind you are purchasing.)



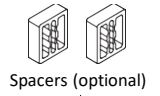
Hidden brackets & screws



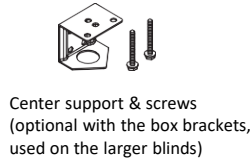
Box brackets & screws (optional)



Extension brackets (optional)



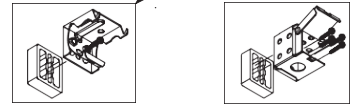
Spacers (optional)



Center support & screws (optional with the box brackets, used on the larger blinds)



Hold down brackets & screws (optional)



Optional - Add a spacer behind the hidden bracket or the box bracket if needed.

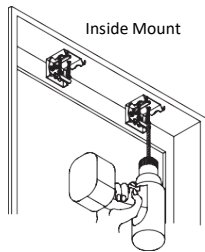
2. Tools you may need (not included)

- Drill with bits
- Screwdriver
- Metal tape measure
- Pen

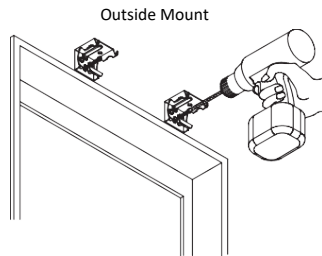


3A. Install the blind with the hidden brackets (or choose to install the blind with the box brackets, refer to step 3B~5B.)

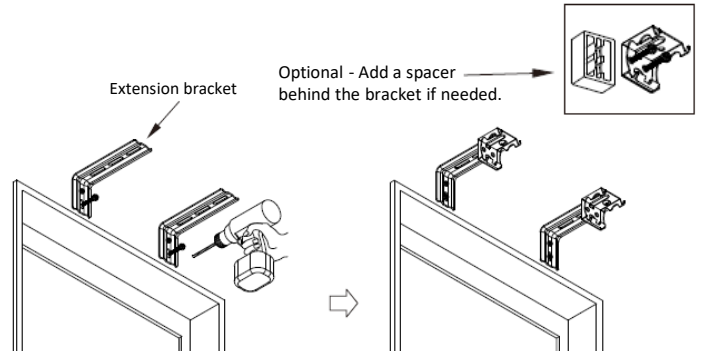
- Mark the bracket locations, making sure the brackets will not interfere with any mechanism or other internal headrail parts. The outermost brackets should be installed about 1/4 inch from each end of the blind. If you have more than 2 hidden brackets, install all remaining brackets towards the center of the blind.
- Install the brackets using screws (included) and tighten them completely.
- Make sure all brackets are aligned and level with each other.
- Install the blind with the extension brackets (optional)
 - Install the extension bracket with at least 2 screws.
 - Attach the hidden brackets to the extension brackets with the screws.



Inside Mount



Outside Mount

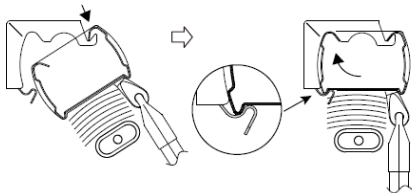


Extension bracket

Optional - Add a spacer behind the bracket if needed.

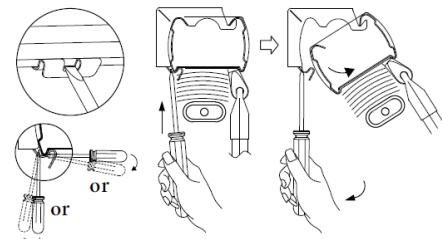
4A. Install the blind

- Fit the front lip of the headrail over the hook on the front of the hidden brackets.
- Push the blind toward the back of the brackets with a "click".



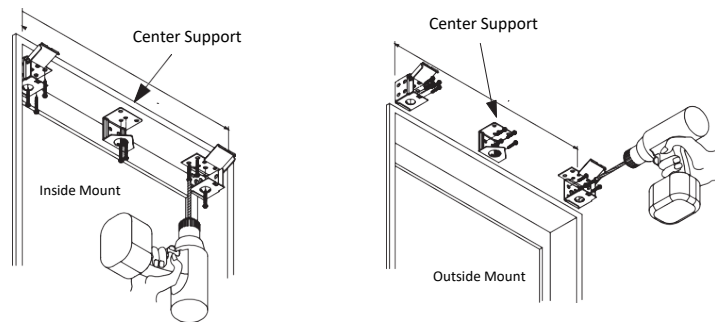
5A. How to remove the blind from the hidden brackets

- Unlock the hidden brackets with a flat head screwdriver.



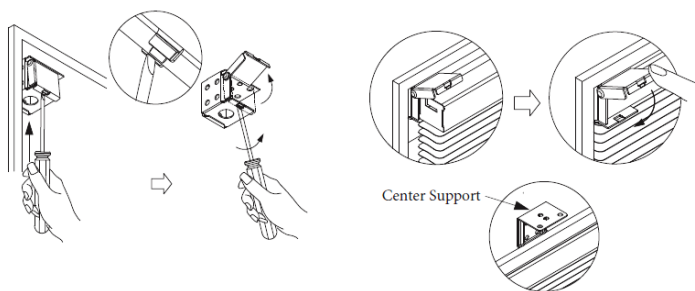
3B. Install the blind with the box brackets (or choose to install the blind with the hidden brackets, refer to step 3A~5A.)

- Install the box brackets at the ends of the headrail. Use 2 screws per box bracket.
- One center support is applied when the blind is wider than 48"W, or two center supports for the blind wider than 100"W.
- The spacer is optional and is installed behind the box bracket when needed.



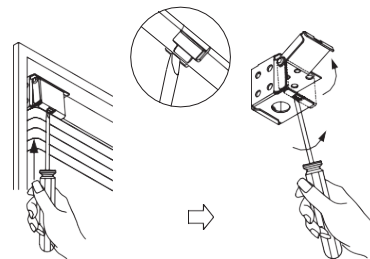
4B. Install the blind

- Unlock the box brackets with a flat head screwdriver.
- Mount the blind in the brackets (also use the center support when blind is wider than 48"W)
- Close the door on the bracket and hear a "click".



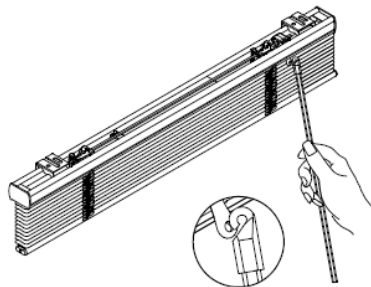
5B. How to remove the aluminum blind from the box brackets

- Use a flat head screwdriver to open the door of the box bracket.
- Remove the blind.



6. Attach the tilt wand

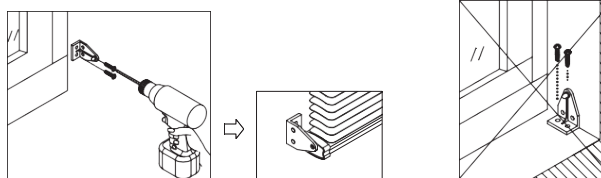
- Attach the tilt wand onto the wand hook located on the headrail.



7. Use hold down brackets to keep the bottom rail in a fixed position (optional)

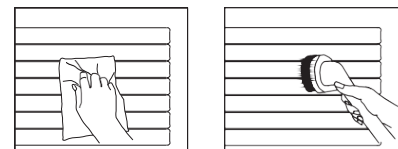
A hold down bracket secures a blind's bottom rail to the bottom of a door or window to prevent it from moving. These are usually only needed when installing blinds on doors and in RVs to help to prevent damage to your blinds, doors, and windows.

- The hold down bracket shall be installed to the wall when it is an outside mount or to the jamb of the window frame when it is an inside mount. Do not install hold down brackets on the sill of the window frame.
- Fully lower the blind and insert the hold down bracket pin into the hole at the side of the bottom rail end-cap, one hold down bracket per each end cap, then mark the location of each hold down bracket.
- Each hold down bracket should be secured with two screws.
- Place the hold down bracket pins into the end caps of the bottom rail to secure the bottom rail in place.



8. Care and cleaning

- Wipe the blind periodically with a soft dust cloth or a dusting mitt, or vacuum with a soft brush attachment.
- You may clean the blinds using a non-scratched sponge or dampened soft cloth with a mild nonabrasive detergent. Never use hot water, solvents, or harsh or abrasive cleansers to clean the blinds.
- Note: The warranty for your blinds does not cover damage caused by improper cleaning.



To Operate Your Blind

Important: Always tilt the slats to a horizontal position before raising or lowering the blind. This step increases the life of the blind.

To Lower or Raise Your Blind

Use 2 hands to lower or raise the bottom rail.

To tilt The Slats

Rotate the wand to attain desired slat position.