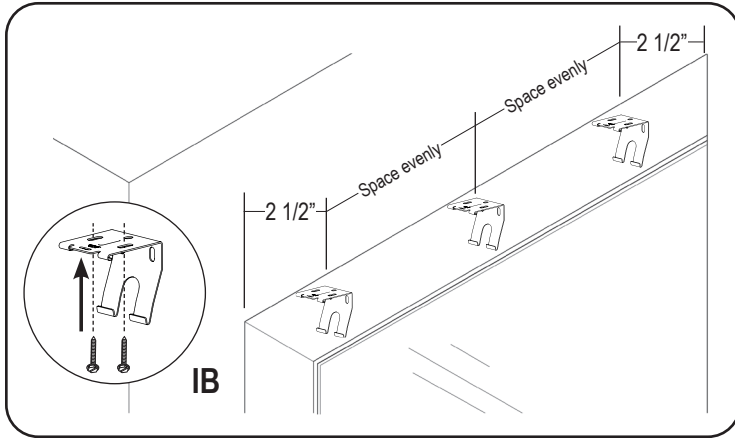


### 1. Install the Brackets

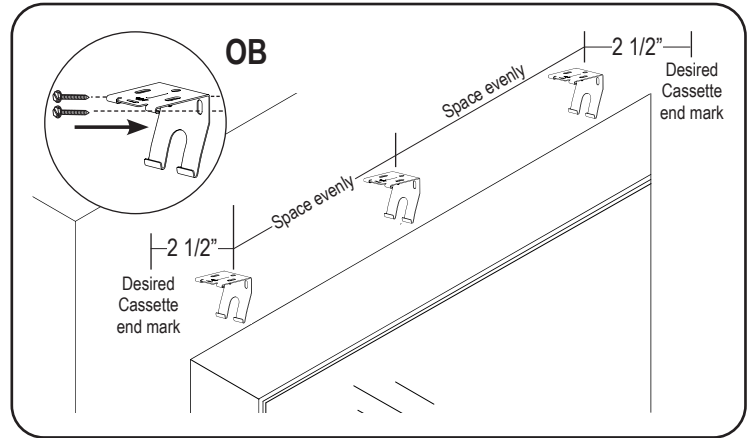
#### Cassette with Fabric Insert

**Important:** Make sure the mounting surface is level. Brackets must be in line and level for shade to operate properly.



#### Inside Mount IB:

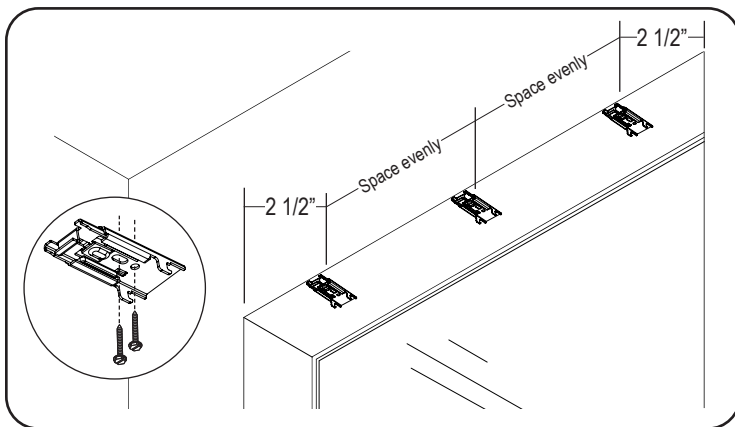
- Measure 2 1/2" inward from each side of the window frame.
- Using the screws provided, install the brackets leveled and aligned to each other.
- If applicable, evenly space out additional brackets between the brackets on both ends.
- See "IB" image above.



#### Outside Mount OB:

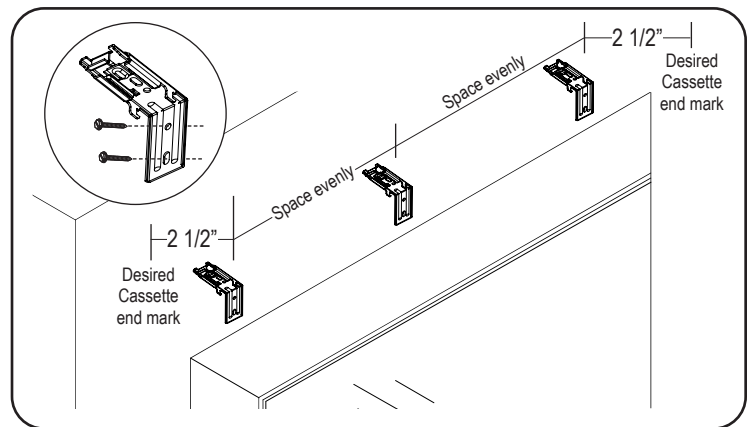
- Center the shade over the window opening at the desired height & width.
- Mark the location of the "Desired Cassette end mark" on both ends of the cassette.
- Measure 2 1/2" inward from the "Desired Cassette end marks" for the location of the brackets. If applicable, evenly space out the additional brackets between the brackets on both ends.
- Using the screws provided, install the brackets leveled and aligned to each other.
- See "OB" image above.

#### Fabric Wrapped Cassette



#### Inside Mount IB:

- Measure 2 1/2" inward from each side of the window frame.
- Using the screws provided, install the brackets leveled and aligned to each other.
- If applicable, evenly space out additional brackets between the brackets on both ends.
- See "IB" image above.



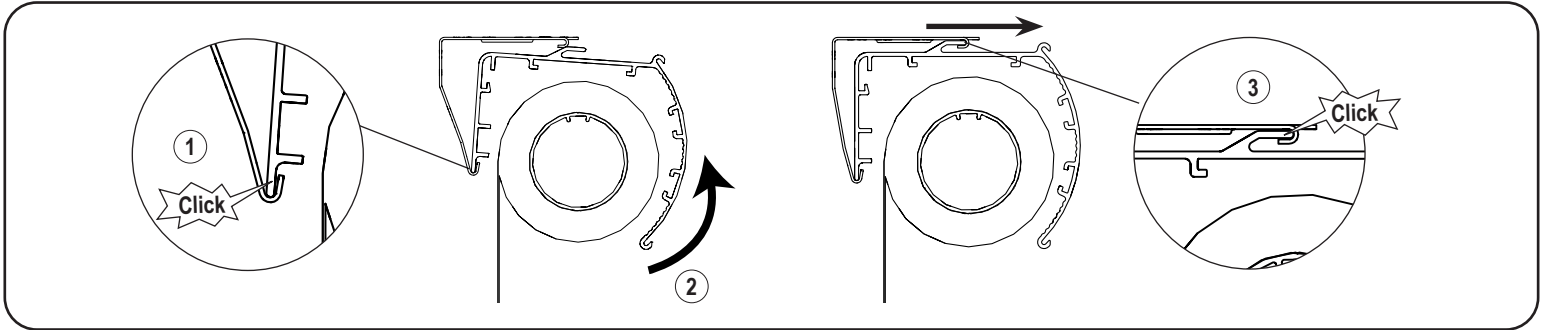
#### Outside Mount OB:

- Center the shade over the window opening at the desired height & width.
- Mark the location of the "Desired Cassette end mark" on both ends of the cassette.
- Measure 2 1/2" inward from the "Desired Cassette end marks" for the location of the brackets. If applicable, evenly space out the additional brackets between the brackets on both ends.
- Using the screws provided, install the brackets leveled and aligned to each other.
- See "OB" image above.

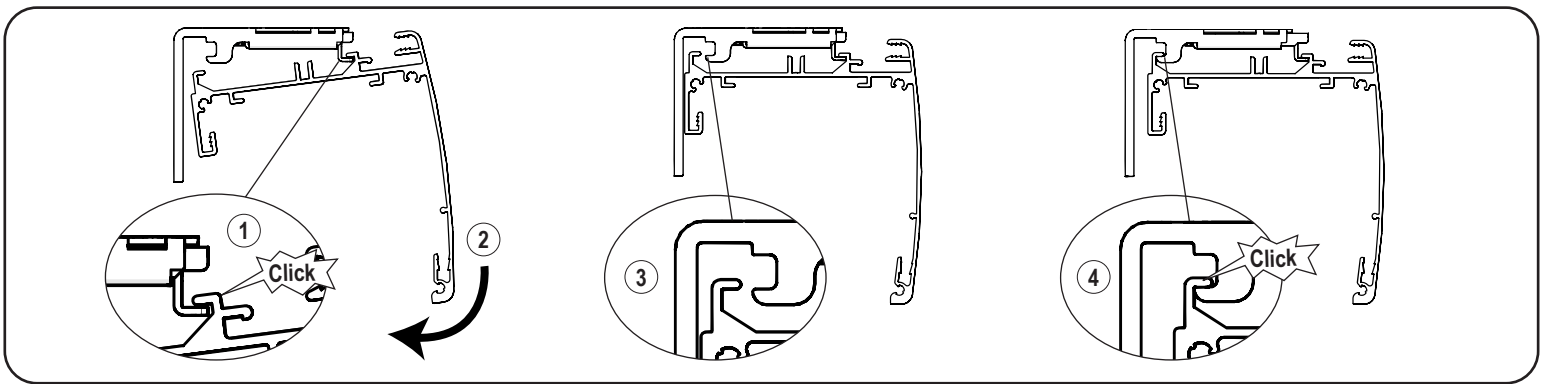
# INSTALLATION INSTRUCTIONS

## 2. Install the Shade

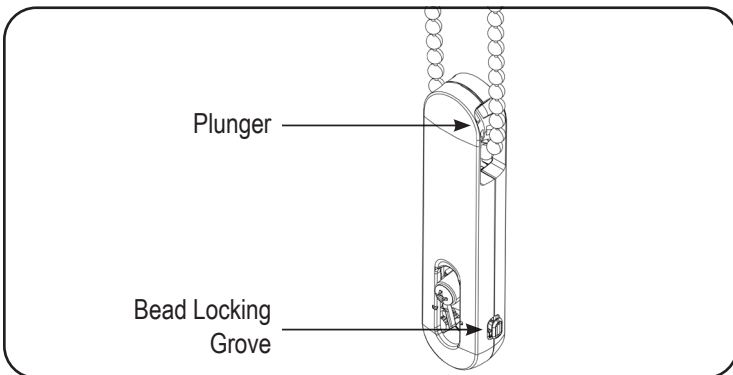
### Cassette with Fabric Insert



### Fabric Wrapped Cassette



## 3. Continuous Loop Control - Installation for Tensioner

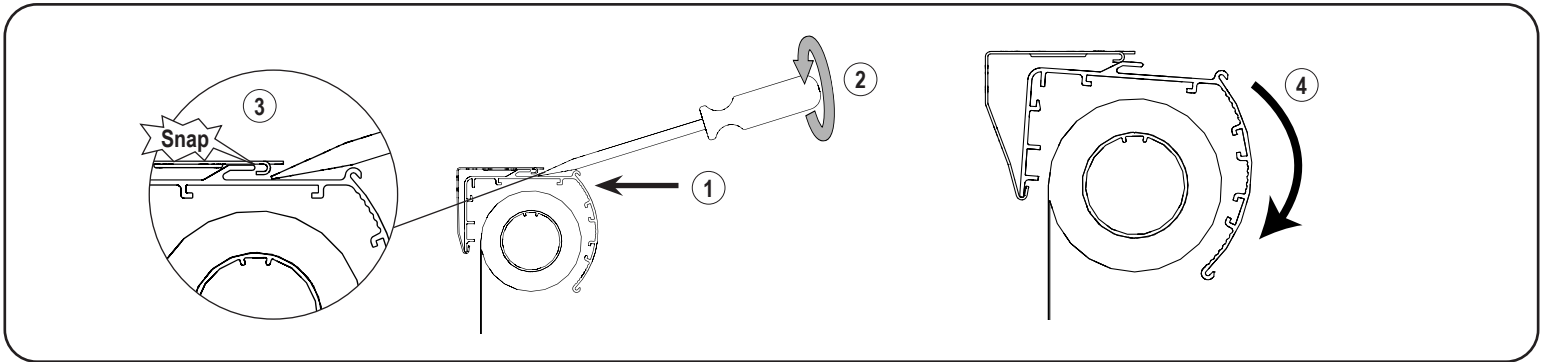


**NOTE:** For the shade to operate properly, the tensioner must be correctly mounted and secured.

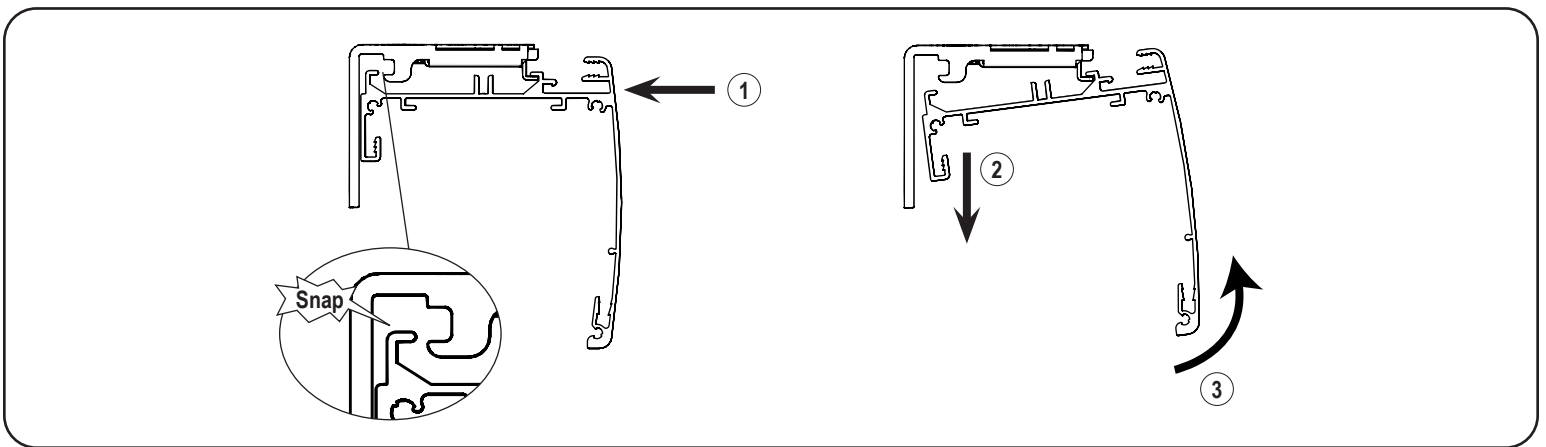
[Click this link](#) to refer to the Installation Instructions for the Bead Chain Loop, Universal Cord Tensioner

## 4. Removing the Shade (Only if Necessary)

### Cassette with Fabric Insert



### Fabric Wrapped Cassette



## Child Safety

Young children can **STRANGLE** in cord loops and in the loop above the cord stop. They can also wrap cords around their necks and **STRANGLE**.

- Always keep cords out of children's reach.
- Move cribs, playpens and other furniture away from cords.  
Children can climb furniture to get to cords.
- Do not tie cords together.
- Make sure cords do not twist together and create a loop.

<b>⚠ WARNING</b> <b>⚠ ADVERTENCIA</b>	
<b>Window Blind Cord Strangulation Risk</b> Window Blinds with a damaged or loose tension device or retractable cord that fails to fully retract pose a strangulation risk to children. To avoid this potential strangulation risk, consider purchasing cordless products or products with inaccessible cords.	
<b>Riesgo de Estrangulamiento en Cuerdas de Persianas</b> Las persianas con un dispositivo tensor suelto o dañado o con una cuerda retractable que no se ajusta completamente representan un riesgo de estrangulación para los niños. Para evitar un posible riesgo de estrangulamiento, considere comprar productos inalámbricos o productos con cuerdas inaccessibles.	



# INSTALLATION INSTRUCTIONS

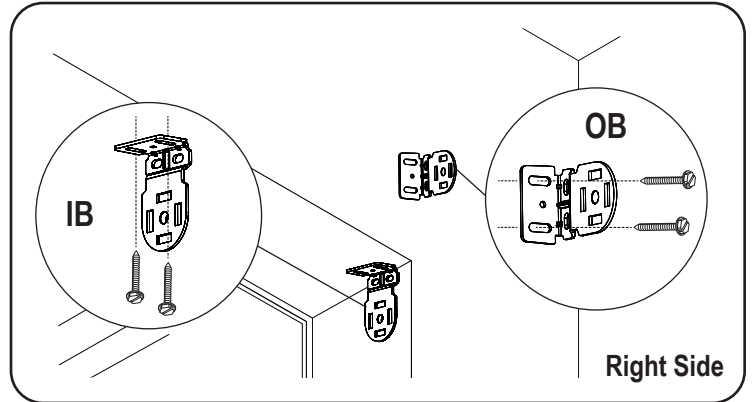
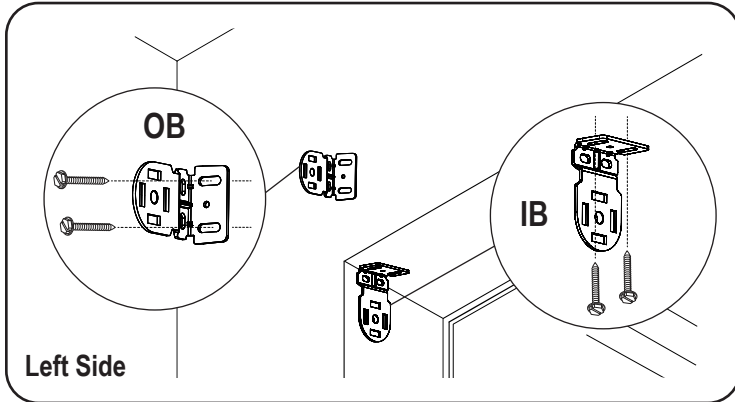
# ROLLER/SOLAR SHADES

## Exposed Roll Shades

### 1. Install the Brackets

**Important:** Make sure the mounting surface is level. Brackets must be in line and level for shade to operate properly. Shim brackets if necessary.

#### 1a. Exposed Roll Tubes 1 1/2" to 2 1/2"



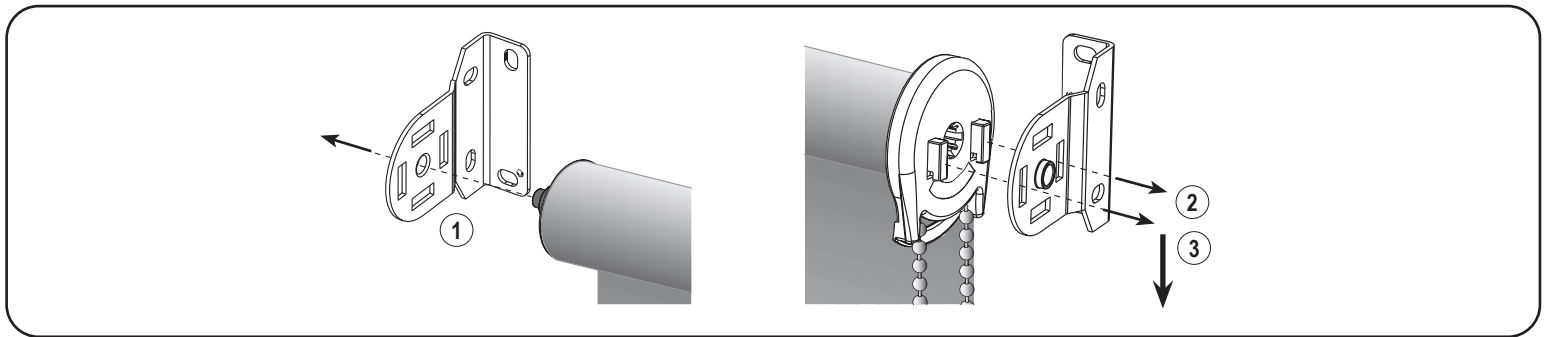
**Inside Mount (IB),** Install each bracket with two screws either through the side or up through the top. Make sure all brackets are leveled and aligned.

**Outside Mount (OB),** Secure each bracket with two screws through the side of the bracket. Make sure all brackets are level. Minimum 1 3/4 mounting surface height requirement.

# INSTALLATION INSTRUCTIONS

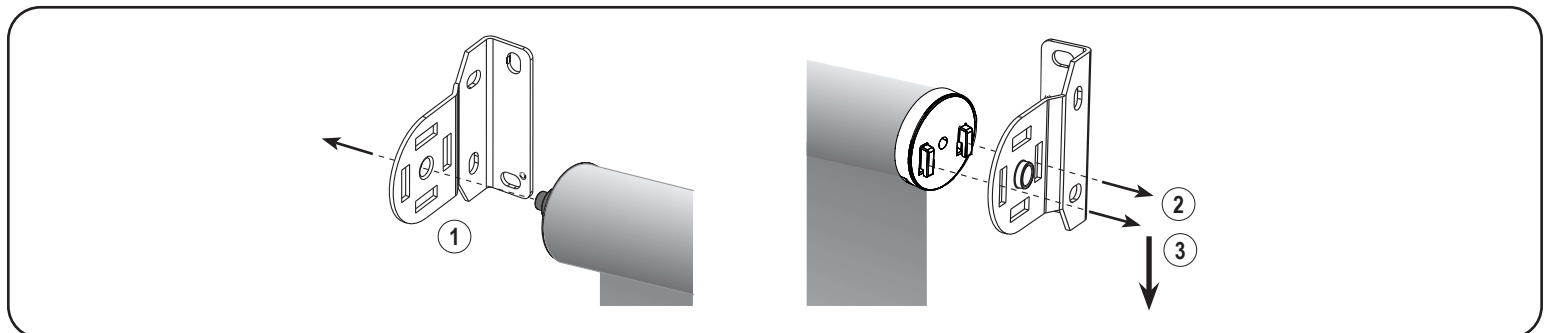
### 2. Install the Shade

#### 2a. Continuous Loop Control



First, place the spring loaded pin end into the round hole of the bracket. Then, keeping the pin end secure in its bracket, insert the hooks on the clutch straight into the two slots in the bracket. Once the two hooks are through the slots, gently pull downward on the hook side until the hooks have locked securely onto the bracket. The bottom of the clutch with chain loop should point straight down.

#### 2b. Motorization (Exposed Roll Tubes 1 1/2" to 2 1/2")

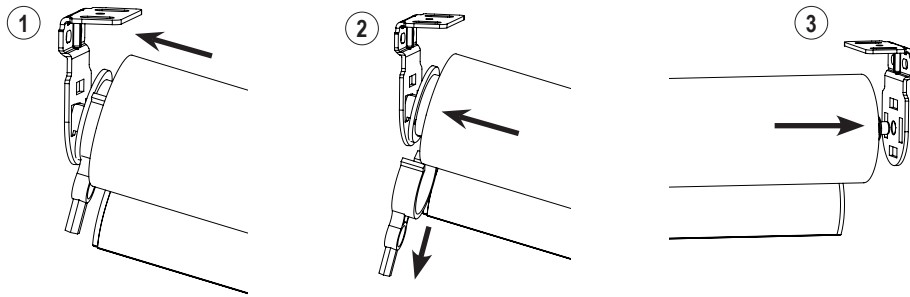


First, place the spring loaded pin end into the round hole of the bracket. Then, keeping the pin end secure in its bracket, insert the hooks on the motor head straight into the two slots in the bracket. Once the two hooks are through the slots, gently pull downward on the motor until the hooks have locked securely to the bracket. The reset button of the motor should be facing down.

# INSTALLATION INSTRUCTIONS

## 2. Install the Shade

### 2c. Cordless Lift

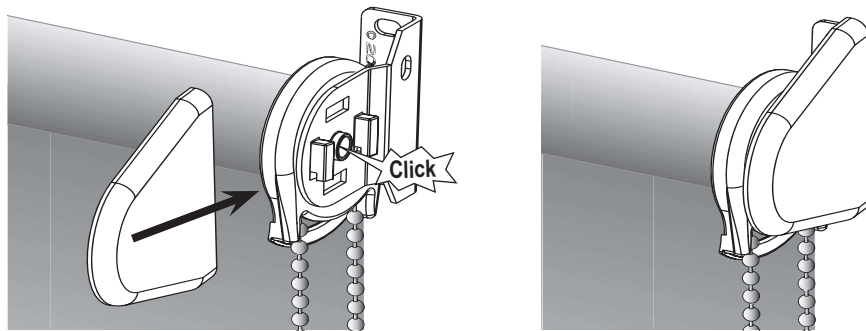


**Important: Do not to pull the red lock until shade is securely assembled onto the brackets.**

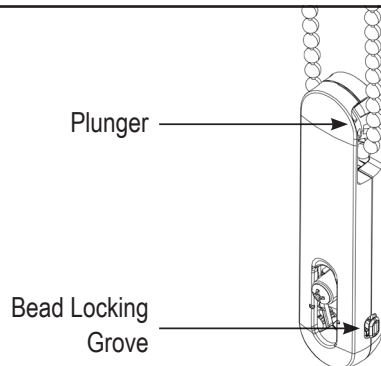
1. Angle the shade side with the red lock to align the hooks to the open roll bracket. Keep the red lock installed onto the shade.
2. Once the hooks are inserted into the bracket, pull the red lock off and push the shade into the bracket to securely lock the shade.
3. With one side of the shade locked in, insert the spring loaded pin on the other end of the shade into the round hole onto the other bracket.

Note: If for any reason the installation brackets need to be adjusted or the shade needs to be removed, raise the shade and insert the red lock pin prior to disengaging the shade from the installation brackets.

## 3. Install the End Caps (Open Roll Tubes 1 1/2" to 2 1/2")



## 4. Attaching the Beaded Cord Tensioner



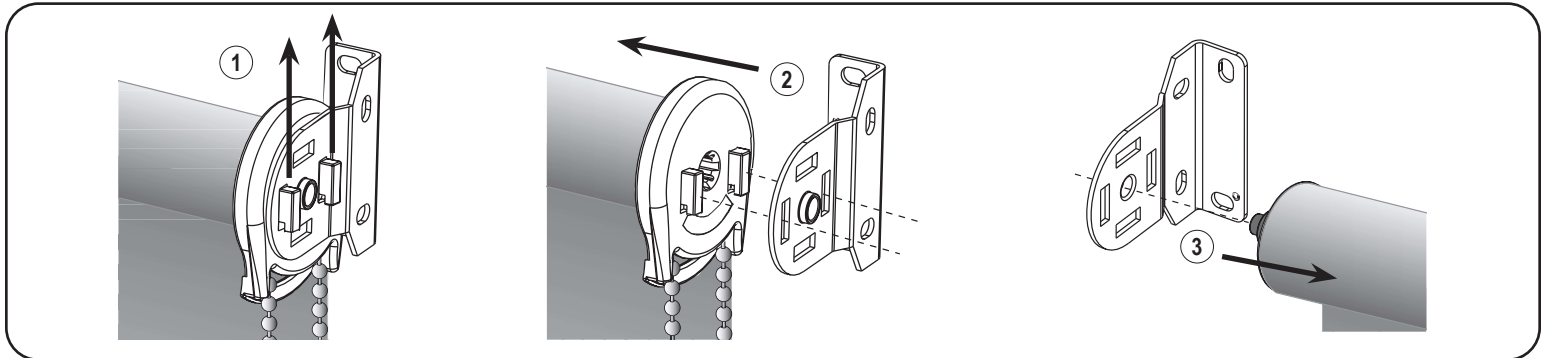
**NOTE:** For the shade to operate properly, the tensioner must be correctly mounted and secured.

[Click this link](#) to refer to the Installation Instructions for the Bead Chain Loop, Universal Cord Tensioner

## INSTALLATION INSTRUCTIONS

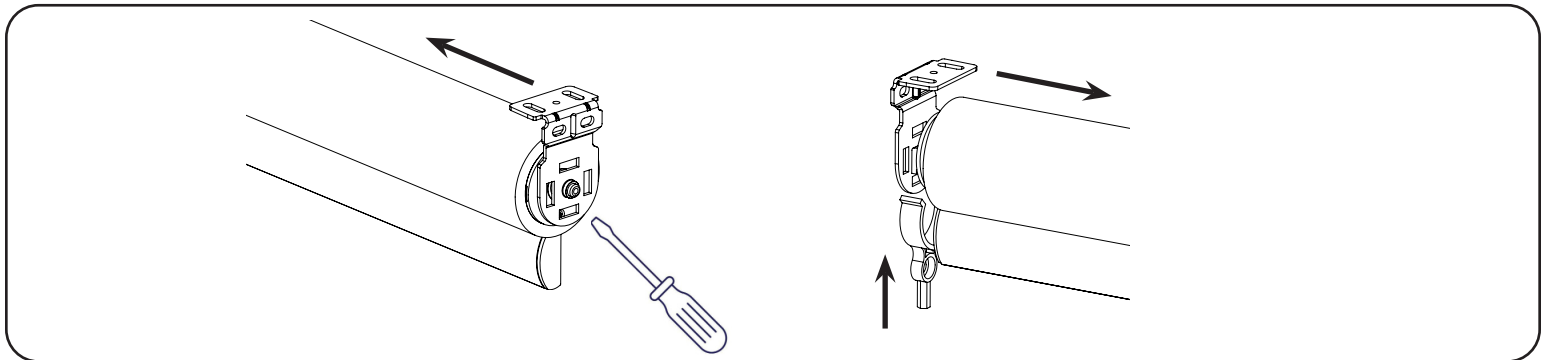
### 5. Adding Optional Top Treatment to Exposed Roll

### 6. Removing the Shade (Only if Necessary — Tubes 1 1/2" to 2 1/2", Continuous Loop Control, and Automation)



First, raise the shade. To disengage, gently lift up the control side (hook end) until the hooks touch the top part of the bracket slot. Then, slide the roll towards the idler pin end (Spring Idler end for Touchlift shades) until the hooks are completely out of the bracket slots. Lastly, remove the spring loaded pin end from the Idler bracket.

### 7. Removing the Shade (Only if Necessary - Cordless Lift)



1. Prepare the shade removal with a screw driver or any pointed tool along with the red lock.
2. Use the screw driver or pointed tool to push the pin end to disengage that one side of the shade from the bracket.
3. With the hook side still attached to the bracket, slowly pull the shade toward you only until there's enough room on the hook side to insert the red lock back onto the shade (same lock location of how the shade arrived).
4. The shade can be removed from the bracket only when the spring side is locked with the red lock

## INSTALLATION INSTRUCTIONS

### Child Safety

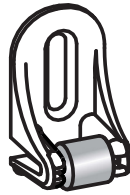
Young children can STRANGLE in cord loops and in the loop above the cord stop. They can also wrap cords around their necks and STRANGLE.

- Always keep cords out of children's reach.
- Move cribs, playpens and other furniture away from cords.  
Children can climb furniture to get to cords.
- Do not tie cords together.
- Make sure cords do not twist together and create a loop.

<b>⚠ WARNING</b> <b>⚠ ADVERTENCIA</b>	
<b>Window Blind Cord Strangulation Risk</b> Window Blinds with a damaged or loose tension device or retractable cord that fails to fully retract pose a strangulation risk to children. To avoid this potential strangulation risk, consider purchasing cordless products or products with inaccessible cords.	
<b>Riesgo de Estrangulamiento en Cuerdas de Persianas</b> Las persianas con un dispositivo tensor suelto o dañado o con una cuerda retractable que no se ajusta completamente representan un riesgo de estrangulación para los niños. Para evitar un posible riesgo de estrangulamiento, considere comprar productos inalámbricos o productos con cuerdas inaccessibles.	

1. Type of Hold-Down

Magnetic Hold-Down Bracket

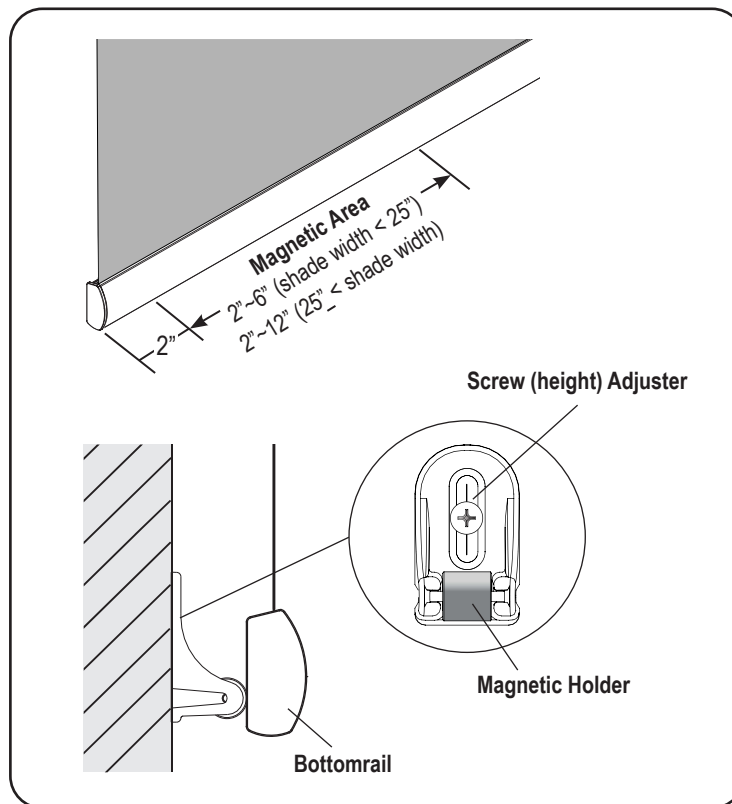


Magnetic hold-downs are available ONLY for Fabric Wrapped bottomrails under AgileLift.

2. Install the Shade

To install the shade — please refer to the provided Roller Shades installation instructions.

3. Install the Hold-Down — Magnetic

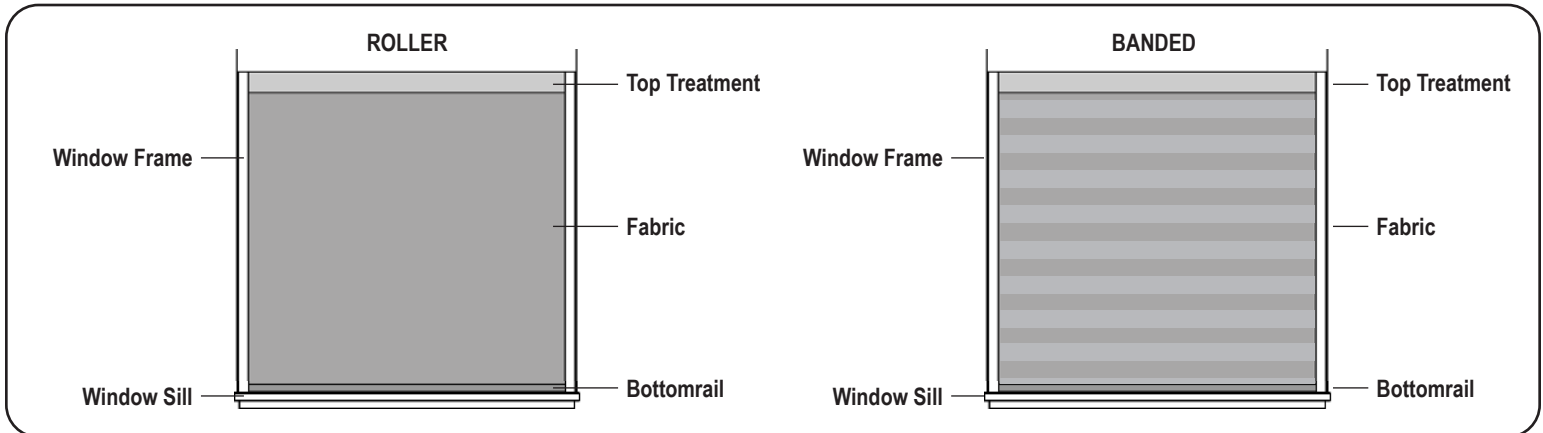


**Important:** The magnetic hold-downs should be located within the magnetic area from the edge of the bottom rail.

First, lower the blind and define the hold-down position. Then, raise the shade and mark the desired location on the mounting surface. Finally, making sure the brackets are level, install the hold-downs using the screws provided.

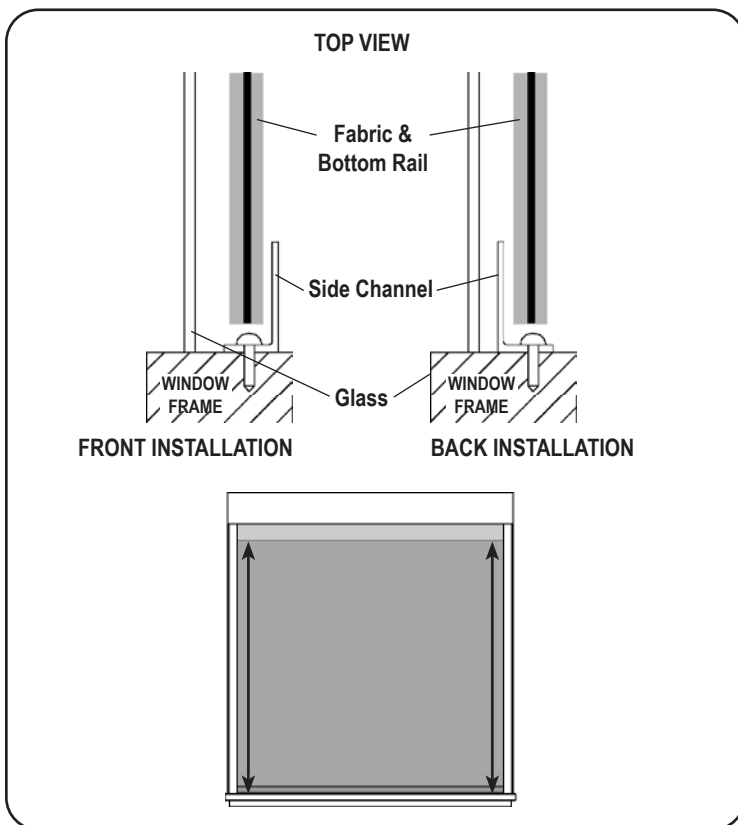
**Note:** If necessary, adjust the bracket height by loosening the screw and sliding the bracket up or down.

## 1. Install and lower the Shade



**Note:** Please refer to the provided shade installation instructions on how to install the shade. Once the shade has been installed, lower the shade to rest on the window sill.

## 2. Prepare the Privacy Strips

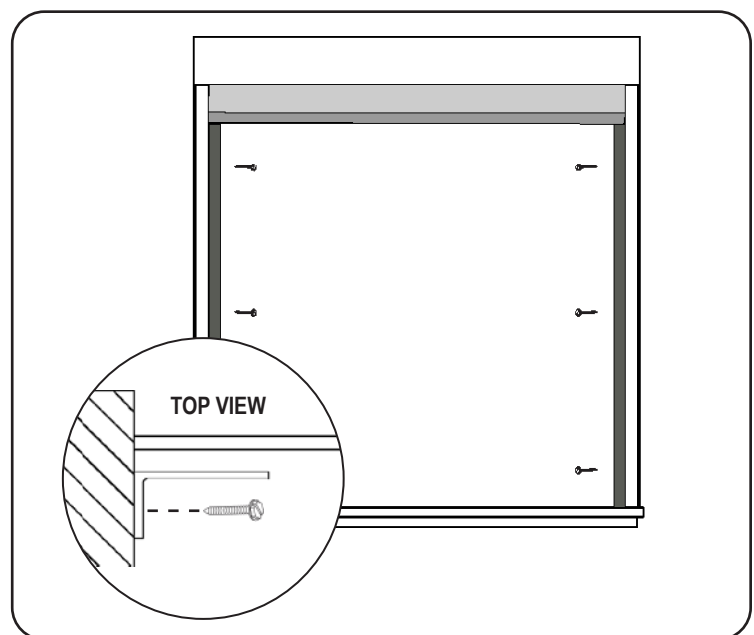


**Note:** Before installing your privacy strips, determine if you will be mounting the product in front or behind the material.

Measure the height of the opening where side channel is to be installed and verify that each piece fits in the intended space. Adjust the privacy strip with a saw if needed.

It is important to measure from the bottom of the top treatment to the window sill.

## 3. Install the Privacy Strip



Once mounting locations are determined, with the shade raised, install your privacy strips with the provided installation screws. It is recommended to evenly spaced the screws.



# No-Drill Blinds Headrail



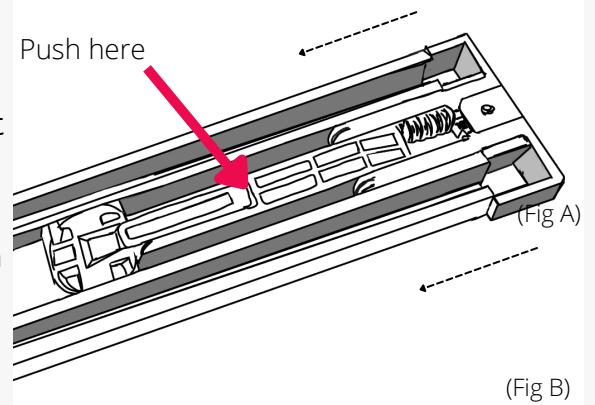
The difficulty level of this installation is ranked at **Level 1**. *A piece of cake!*

If you have questions or get stuck, call our Customer Care Team at 888-257-1840, or email [customer@selectblinds.com](mailto:customer@selectblinds.com)

## 1. Preparing the No Drill Blinds Headrail

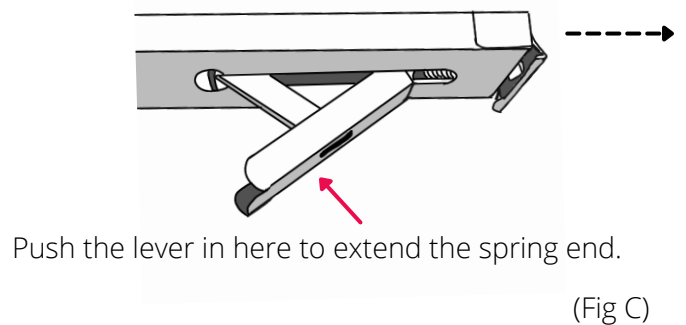
Pull the lever from below or push down on the mechanism from above to retract the tension boot (See Fig B).

Install the metal strips or padded adhesive tape on opposite sides of the window opening where you'll be installing the No-Drill Blinds Headrail. This is optional and only available on larger products.



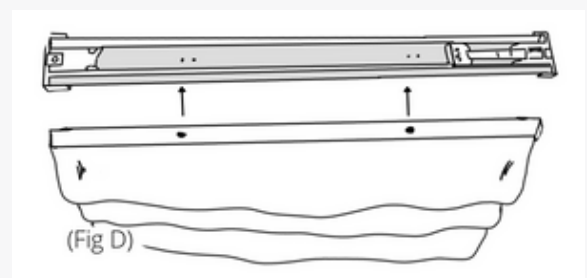
## 2. Installing the No Drill Blinds Headrail

Insert the No-Drill Blinds Headrail into the window opening, make it flush with the top of the window opening, then push on the lever to extend the tension spring and secure the No-Drill Blinds Headrail. (See Fig C)



## 3. Installing the Product

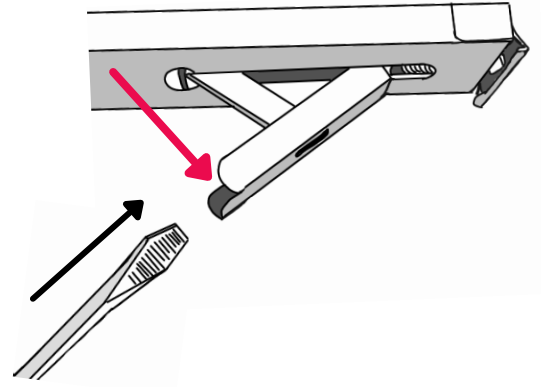
Install the product onto the brackets (See Fig D). Test and operate the product to ensure secure installation and smooth functionality.



## Uninstalling the No Drill Blinds Headrail

To uninstall the product, follow step 1 by removing the product from the headrail and use a screwdriver to unlatch the lever.

Make sure to hold the No Drill Blinds Headrail in place while unlatching the lever. This will prevent damage to the window or headrail.



### Tech Tip

If the fixed boot end was accidentally forced out, use a flathead screwdriver to twist the red "droplets" towards the center and then push it back in.

