

ROMAN SHADES

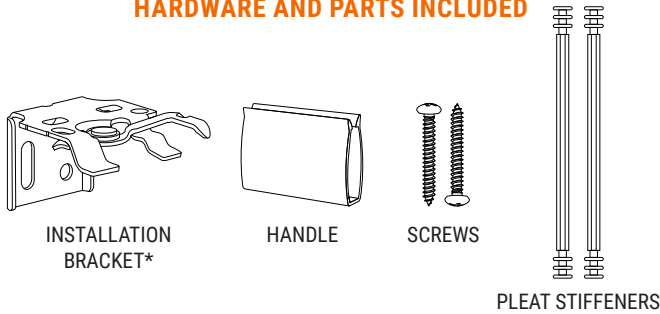
LIFT SYSTEMS: CORDLESS LIFT



The difficulty level of this installation is ranked at **Level 1**. *A piece of cake!*

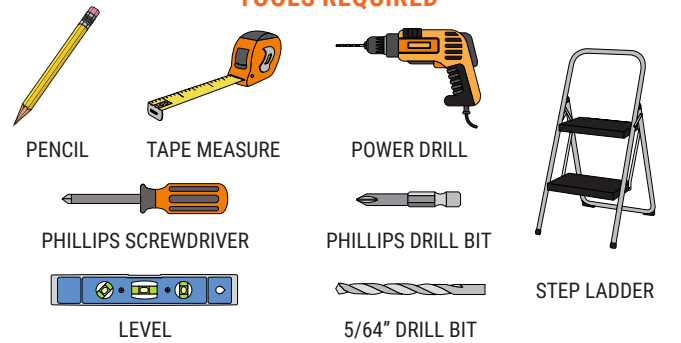
If you have questions or get stuck, call our Customer Care Team at 888-257-1840, or email customer care@selectblinds.com

HARDWARE AND PARTS INCLUDED



*The quantity of brackets you receive will depend on the width of your roman shade.

TOOLS REQUIRED

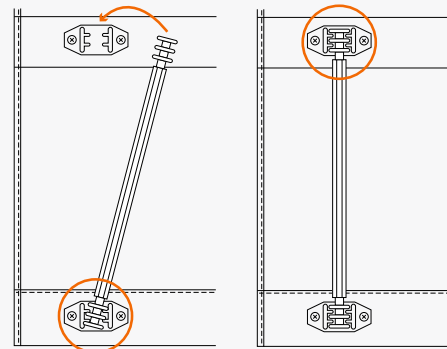


1. MOUNTING THE BRACKETS

ATTACH THE PLEAT STIFFENERS

NOTE: Cordless shades are lifted and lowered manually. Pleat stiffeners are used to make sure your shade operates and folds together perfectly. We recommend attaching the pleat stiffeners before mounting your brackets.

1. On the backside of the shade, locate the plastic braces attached to the bottom corners of the shade.
2. Press each end of the stiffener into the grooves on the plastic brackets. **DO NOT** press on the center of the stiffeners. This can break them.



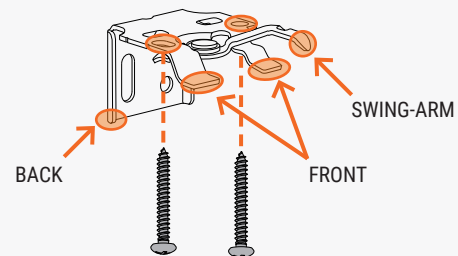
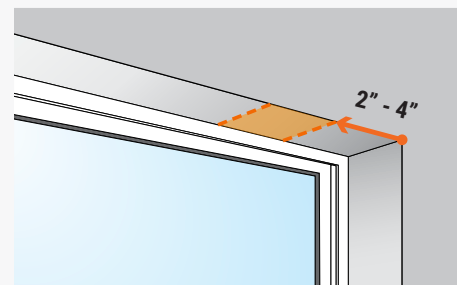
INSIDE MOUNT

1. Measure 2" - 4" in from each side of the window frame, and mark once with a pencil for your outer brackets. The front of the bracket will face out from the window, and the back of it will hang down parallel to the window.

NOTE: Leave marks for any additional brackets you need, evenly spaced between your first two marks.

2. Center the brackets over your marks, and set them back until the front of the bracket meets the edge of your window. Mark through the top holes in the bracket with your pencil. This is where your screws will go.

3. At each of your marks, pre-drill holes with a 5/64" drill bit. Align each bracket with your screw holes and drill the screws securely into place.



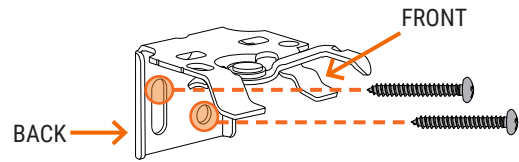
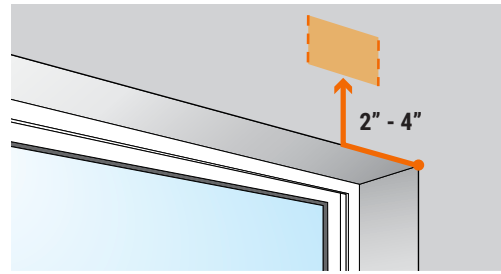
OUTSIDE MOUNT

1. Measure 2" - 4" in from each side of the window frame. From here, measure upward another 2" - 4", and make a pencil mark.

NOTE: Leave marks for any additional brackets you need, evenly spaced between your first two marks and at the same height.

2. Center the top edge of the brackets on your marks. With your pencil, mark through the back holes of the bracket. This is where your screws will go.

3. At each of your marks, pre-drill holes with a 5/64" drill bit. Align each bracket with your screw holes and drill the screws securely into place.



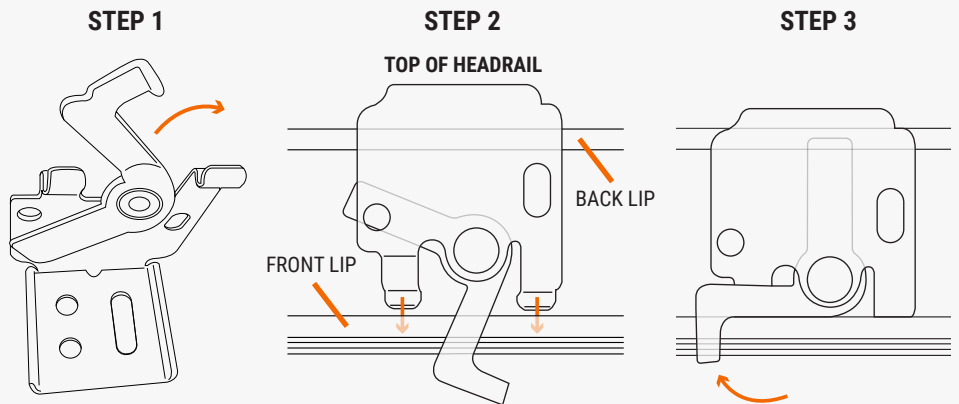
2. ATTACHING THE SHADE

INSIDE AND OUTSIDE MOUNT

1. Slide the swing-arm of all the brackets to the right, so that they point away from the window.

2. Place the headrail onto the brackets so that the front edge of the brackets fit under the inner front lip of the headrail. Slide the headrail left and right until the shade is centered in or over the window.

3. Hold the shade in position, and slide the swing-arms to the left on all the brackets, until they latch onto the back lip of the headrail. The shade is now installed!



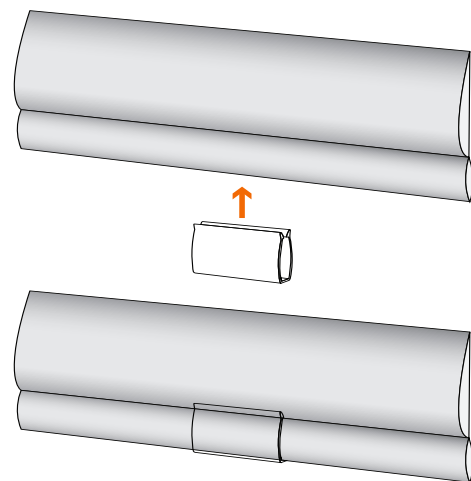
3. HOW TO USE YOUR SHADE

NOTE: Cordless roman shades come with one or two clear plastic handles to keep the fabric clean over multiple uses.

1. At the bottom pleat of the roman shade, locate the sewn-in hem bar. Snap the handle to the center if you only have one, or space them evenly if you have two.

2. To lower the shade, grip the handle(s) and slowly pull straight down.

3. To raise the shade, place your hand on the handle(s) with your palm facing up. Pull the bottom pleat slightly away from the window and then SLOWLY lift the shade. The pleats should fold like an accordion as you raise the shade.



ROMAN SHADES

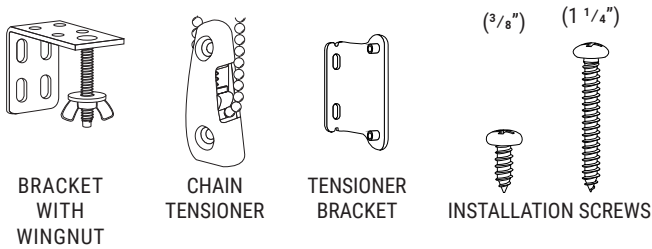
LIFT SYSTEMS: CONTINUOUS CORD LOOP | MOTORIZATION



The difficulty level of this installation is ranked at **Level 1**. *A piece of cake!*

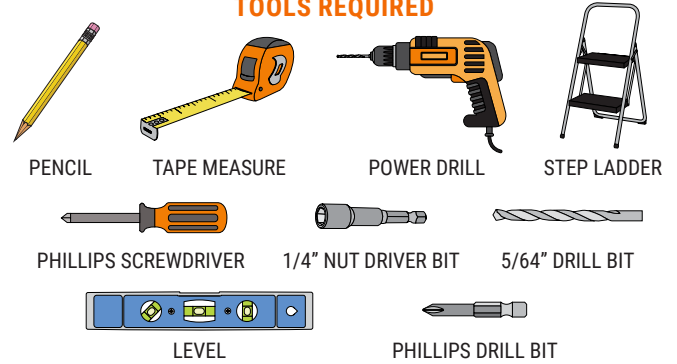
If you have questions or get stuck, call our Customer Care Team at 888-257-1840, or email customer@selectblinds.com

HARDWARE AND PARTS INCLUDED



*The quantity of brackets you receive will depend on the width of your roman shade.

TOOLS REQUIRED

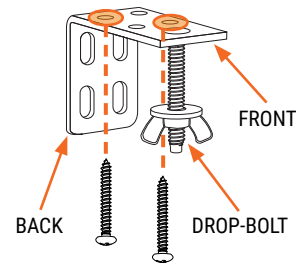
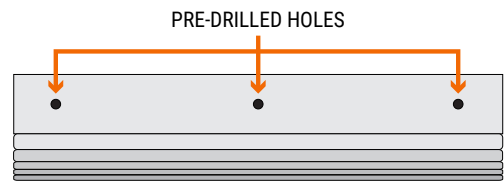


1. MOUNTING THE BRACKETS

NOTE: Continuous Cord Loop and Motorized shades have pre-drilled holes in the top of the headrail. You will use these holes as a guide for your bracket placement. Be sure to pre-drill pilot holes in your mounting surface with a 5/64" drill bit before using the screws.

INSIDE MOUNT

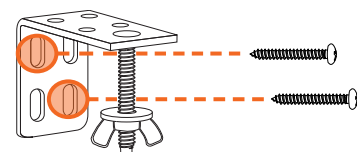
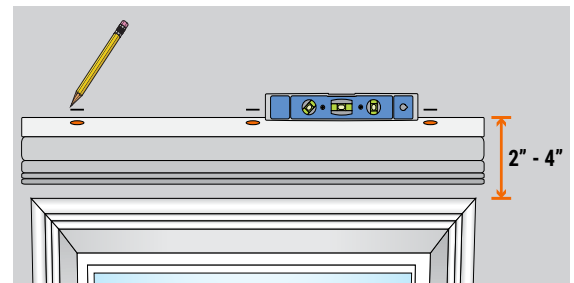
1. Grasp the shade by the headrail and hold it up inside the top of the window. Set it back until the front of the shade is flush with the wall. Hold the shade in place, and with a pencil, make a mark through each hole in the headrail. Set the shade aside.
2. Take a bracket and center the drop-bolt over each mark. Use the holes in the top of the bracket to mark where your two screws will go.
3. Align the brackets with the holes, and use a Phillips drill bit to securely fasten the screws.



OUTSIDE MOUNT

NOTE: Be sure to pre-drill pilot holes in your mounting surface with a 5/64" drill bit before using the screws.

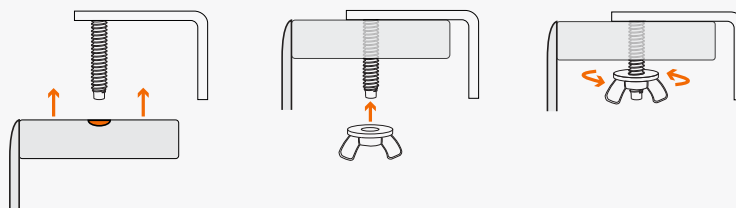
1. Center and hold the headrail at least two inches above the window. While keeping the shade level, make a small line with your pencil just above each of the pre-drilled holes in the headrail. Set the shade aside.
2. Align the top edge of a bracket along each mark, and use the holes in the back of the bracket to mark where your two screws will go.
3. Align the brackets with the holes, and use a Phillips drill bit to fasten the screws in place.



2. ATTACHING THE SHADE

INSIDE AND OUTSIDE MOUNT

1. Remove the wingnuts from the brackets if you haven't done so already.
2. With the front of the shade facing you, fit the pre-drilled holes of the headrail to each of the drop-bolts on the brackets. While holding the headrail to the brackets with one hand, use your other hand to attach each of the wingnuts to the drop-bolts. Tighten the wingnuts until the shade is firmly held in place.



3. INSTALLING THE CHAIN TENSIONER

NOTE: Cord or chain tensioners are used to ensure the smooth operation of your shade and to help protect children from getting tangled in loose chains. If there is any protective plastic around the chain, remove it before you proceed.

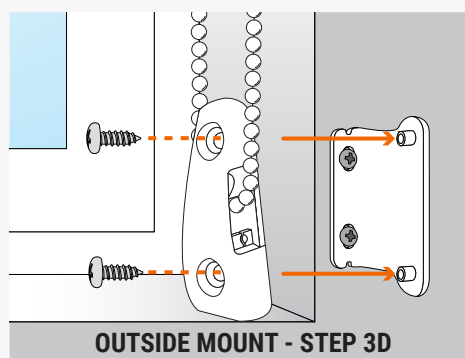
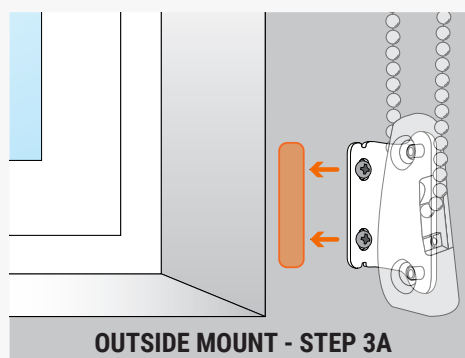
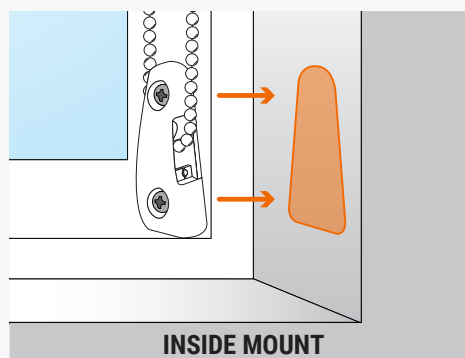
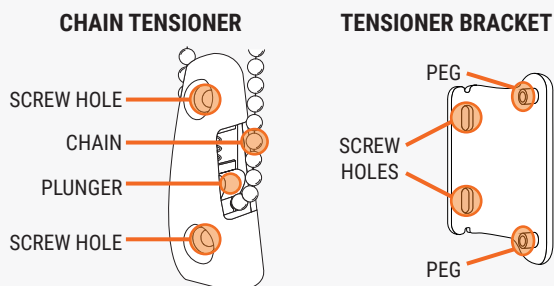
1. Raise the shade fully so it's out of the way.
2. Hold the tensioner in one hand and with your other hand, pull the plunger up to release the grip on the chain. Lift the chain out of the bead-locking groove and slide the tensioner to the bottom of the loop.
3. The goal of using the tensioner is to make the chain taut but still slightly loose. For inside mount, you will not need the tensioner bracket.

INSIDE MOUNT

- A. Place the tensioner against the inside of the window and keep the chain pulled tightly. Shift it up about 1/8", then make a mark at each screw hole.
- B. Move the chain away and use the marks to pre-drill screw holes with a 5/64" drill bit.
- C. Align the tensioner with the pre-drilled holes and fasten the 1 1/4" screws, being careful NOT to over-tighten the screws.

OUTSIDE MOUNT

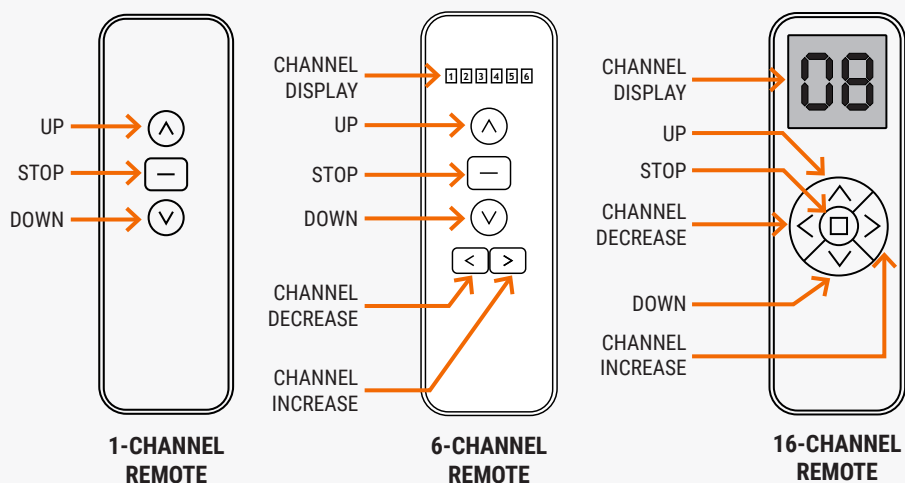
- A. Connect the tensioner to the pegs on the tensioner bracket. Place the tensioner bracket against the wall while keeping the chain pulled tightly. Shift it up about 1/8", then make a mark at each screw hole.
 - B. Move the chain away and use the marks to pre-drill screw holes with a 5/64" drill bit.
 - C. Remove the tensioner bracket from the tensioner, align the tensioner bracket with the holes and fasten the 1 1/4" screws, being careful NOT to over-tighten the screws.
 - D. Re-attach the tensioner to the pegs of the tensioner bracket, and fasten the 3/8" screws, being careful NOT to over-tighten the screws.
4. To use your shade, simply pull the front of the chain to raise it, and pull the back of the chain to lower it.



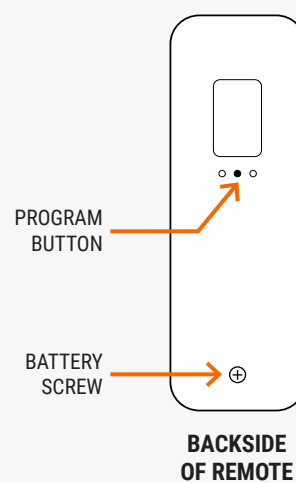
4. PROGRAMMING AND USING YOUR REMOTE

WARNING: DO NOT attempt to raise or lower your motorized shade with your hands. This may cause permanent damage to the motor, and other components in the headrail, which may not be covered under your warranty.

OPERATIONAL FUNCTIONS



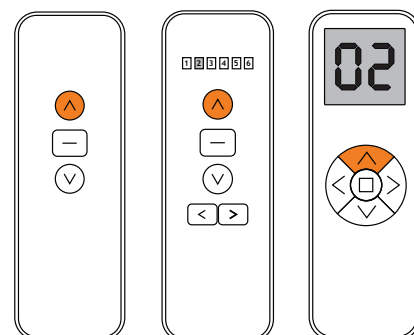
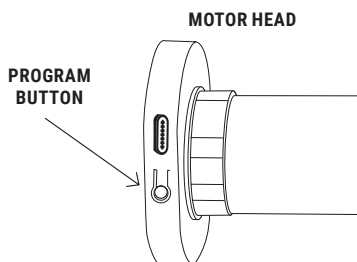
PROGRAMMING FUNCTIONS



PAIRING A SINGLE SHADE TO A CHANNEL

1. Press the **CHANNEL INCREASE** or **CHANNEL DECREASE** button on the remote to select a dedicated channel for the first shade you're pairing with the remote.

2. Locate the **MOTOR HEAD** on the left end of the roller tube under the headrail. Press and hold the **PROGRAM** button until you hear a beep and the shade "jogs" quickly up and down.



3. Press the **UP** button on the remote and the shade will jog again.

4. Congrats! Your shade and remote are now paired. Repeat this process for any additional shades you want to pair with the remote, selecting a new channel (if using a multi-channel remote) before you begin.

PAIRING MULTIPLE SHADES TO ONE CHANNEL

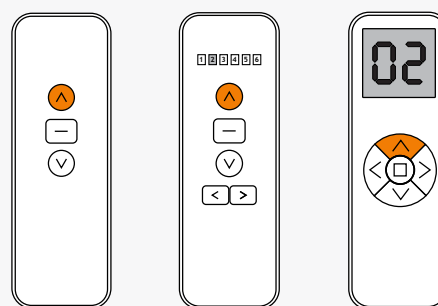
NOTE: You must have at least one shade already paired to a channel, before following the steps below.

1. Put the shade on your selected channel into "sleep" mode. To do this, press and hold the **PROGRAM** button on the **MOTOR HEAD** until the shade jogs and you hear a long beep. Release the button to put it to sleep.

2. Follow the steps above for "Pairing a Single Shade to a Channel" to pair a new shade while remaining on the same channel. When you've finished, put this shade to "sleep" as described in step 1.

3. Repeat step 2 for any additional shades you wish to add to the channel. Once you've paired all the shades you want, "wake up" each shade's motor by pressing and holding the **PROGRAM** button on the **MOTOR HEAD** until you hear a short beep.

4. That's it! You can now simultaneously operate all the shades paired with this channel.



SHADE #1

SHADE #2

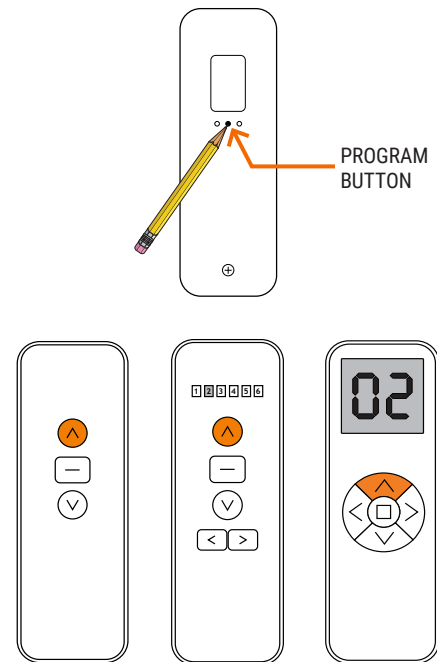
ADJUSTING THE UPPER/LOWER LIMITS

Your shade's upper and lower limits are already pre-set at the factory, so the following steps are only necessary if you want to change how these settings are configured. The upper limit can ONLY be changed after performing a factory reset (see page 7).

CHANGING THE UPPER LIMIT

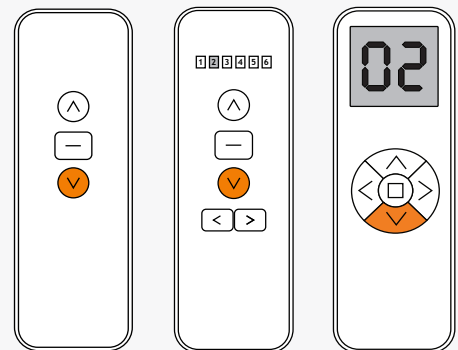
NOTE: Prior to resetting the upper limit, you must first follow the instructions for performing a factory reset. This is the only way to change the upper limit.

1. Move the shade using the **UP** or **DOWN** buttons, until it is positioned about 6" below the desired upper limit.
2. Press the **PROGRAM** button on the back of the remote. The shade will jog, indicating it's now in programming mode.
3. Press the **UP** button to move the shade to the desired upper limit. Press the **PROGRAM** button on the back of the remote again and the shade will jog.
4. That's it! You've now reset your shade's upper limit, and the motor will exit programming mode automatically.



CHANGING THE LOWER LIMIT

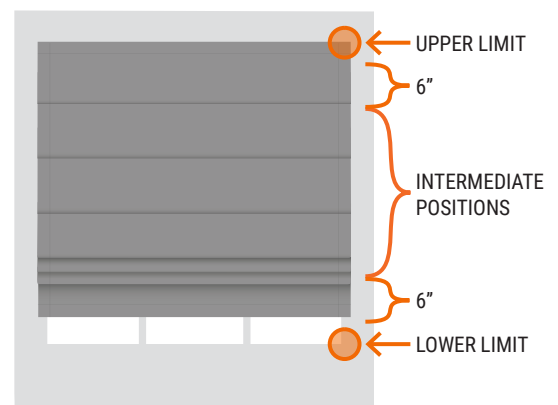
1. Move the shade using the **UP** or **DOWN** buttons, until it is positioned about 6" above the desired lower limit.
2. Press the **PROGRAM** button on the back of the remote. The shade will jog, indicating it's now in programming mode.
3. Press the **DOWN** button to move the shade to the desired lower limit. Press **PROGRAM** on the back of the remote again and the shade will jog.
4. That's it! The lower limit is set, and the motor will exit programming mode automatically.



SETTING INTERMEDIATE POSITIONS

NOTE: You can set up to four (4) intermediate positions between the shade's upper and lower limits. Each intermediate position must be at least 6" away from the upper and lower limits, and any other intermediate limits you program.

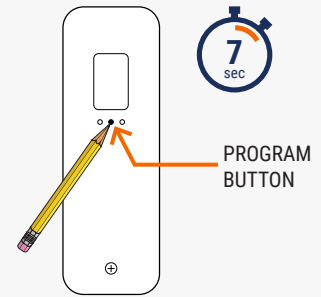
1. Move the shade using the **UP** or **DOWN** buttons until it's at least 6" away from any other limits.
2. Press the **PROGRAM** button on the back of the remote. The shade will jog, indicating it's now in programming mode.
3. Use the **UP** or **DOWN** button to move the shade to the desired stopping position and press the **PROGRAM** button again. The shade will jog, indicating the new stopping point is now set.
4. Repeat these steps to add up to four intermediate stopping points to your shade.



DELETING LOWER LIMITS AND INTERMEDIATE POSITIONS

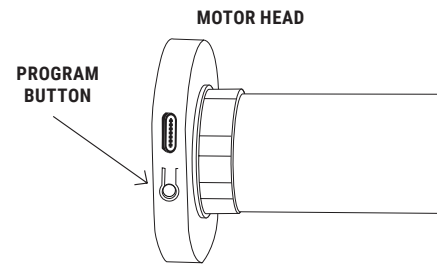
NOTE: Lower limits and intermediate positions can be deleted and reassigned. Upper limits can only be removed by performing a factory reset.

1. To delete a specific shade position, use the **UP** or **DOWN** buttons to move the shade to the position you want to remove.
2. Press and hold the **PROGRAM** button on the back of the remote for about 7 seconds. The shade will jog once before the 7 seconds and once after. You have now deleted the limit/position from your shade.



PERFORMING A FACTORY RESET

1. Press the **PROGRAM** button on the **MOTOR HEAD** four (4) times in a row.
2. Press 4 times and hold on the 4th. Wait for 1 red LED flash with the 1st press, 1 red LED flash with the 2nd press, 2 red LED flashes with the 3rd, and 2 red LED flashes and a motor oscillation with the 4th. After the oscillation the memory is erased.
3. Your shade's memory and all presets have now been erased. To use the shade again, pair a remote to it and then set new upper/lower limits.



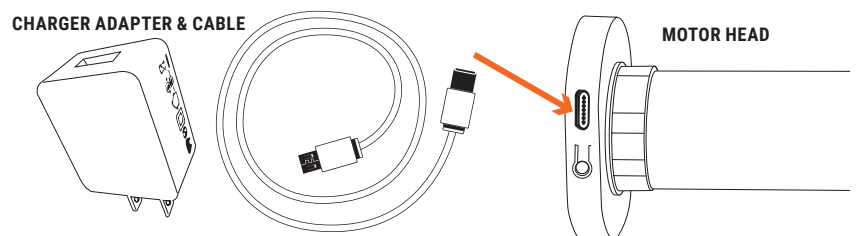
USING THE REMOTE TO CONTROL YOUR SHADE

1. Press the **UP** or **DOWN** button once to move the shade to the next higher or lower position.
2. Press the **UP** or **DOWN** button two times (once per second) and the shade will move to the upper or lower limit position without stopping at any intermediate positions you may have set.

RECHARGING THE SHADE BATTERY

NOTE: If the shade begins to move at a slower pace, the battery charge may be getting low. Plug the shade into a power outlet and charge the battery for 6 hours.

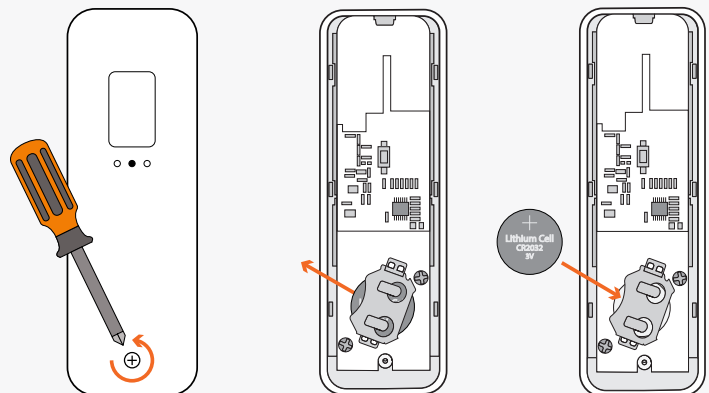
1. Locate the charger cable behind the fabric on the left side of the headrail. Connect this cable to the provided battery charger.
2. Locate the charger port next to the programming button on the left side of the headrail. Connect the USB-C cable to the provided battery charger.



REPLACING THE REMOTE BATTERY

NOTE: The battery used to power your remote is a coin-shaped 3V cell battery (CR2032). Additional batteries are not included.

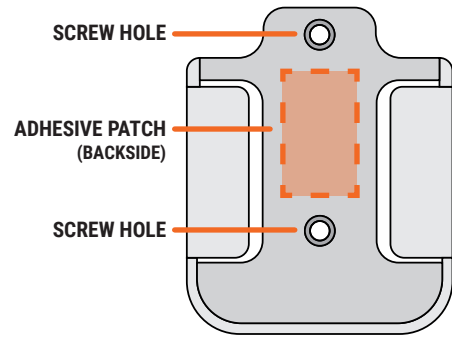
1. To remove the back cover of the remote, use a small screwdriver to remove the battery screw. Gently slide the back cover up to disengage it, then lift it away from the remote.
2. Remove the old battery from the circuit board by sliding it diagonally out of the bracket holding it down. Place a new 3V cell battery in the bracket with the "+" positive side showing.
3. Replace the back cover of the remote, and secure the battery screw.



INSTALLING A WALL MOUNT CARRIER

NOTE: A wall mount carrier is included with your remote, but it is optional to install it. If you choose to mount the carrier with the adhesive patch on the back, be sure to clean and dry the mounting surface first.

1. Determine where you'd like to place your remote carrier in the room. It is common to place it near a light switch, or on the wall next to the window.
2. With the carrier in the upright position, insert the provided screws to secure it to our mounting surface. For the adhesive patch, firmly press the carrier to the surface for about 30 - 45 seconds.



CLEANING INSTRUCTIONS

NOTE: All fabrics are different and some may be easier to clean than others. We recommend cleaning your shades as often as once a month. Here are some general guidelines on how to do so:

1. For regular maintenance, use a duster or a vacuum with a brush attachment and run it over the front and back of the shade.
2. To spot clean stains, use a damp rag with a very mild, gentle detergent or soap. Dab at the affected spots; do NOT rub! Let the dampened area air-dry and repeat as necessary.
3. If your roman shade has wrinkles, you can use a basic steamer to remove them. Hold the steamer roughly six inches away from the fabric and wave the steamer back and forth over the wrinkled areas.

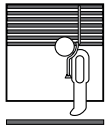
WARRANTY AND REPLACEMENT

To learn more about our product warranties, please visit: <https://www.selectblinds.com/warranty.html>

For replacement parts, and/or to file a warranty claim for a product that is damaged, defective, or missing parts, please call our Customer Care Team at 888-257-1840, or email customercare@selectblinds.com.

CHILD SAFETY WARNING

⚠ WARNING



Corded window blinds and shades can be a strangulation risk or cause serious injury to young children and pets. When using corded window treatments, use the following tips to keep them safe:

- Move furniture that children can climb on away from the window.
- **NEVER** place a crib by a window!
- Keep cords up and away from your child's reach.
- Always use cord cleats with corded products.
- Secure child-safe tensioners for continuous cord loop chains to the wall or window encasement.

CORTINAS ROMANAS

SISTEMA DE ELEVACIÓN: ELEVACIÓN INALÁMBRICA



El nivel de dificultad de esta instalación es de **Nivel 1. ¡Pan comido!**

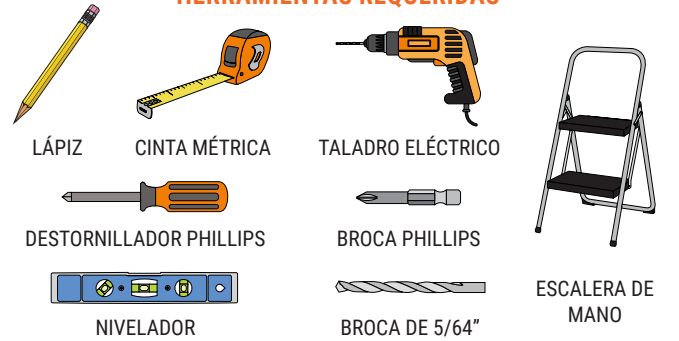
Si tienes preguntas o te atascas, llama a nuestro Equipo de Atención al Cliente al 888-257-1840, o envíale un email a customercare@selectblinds.com.

HARDWARE Y PARTES INCLUIDAS



*La cantidad de soportes que recibas dependerán del ancho de tu cortina romana.

HERRAMIENTAS REQUERIDAS

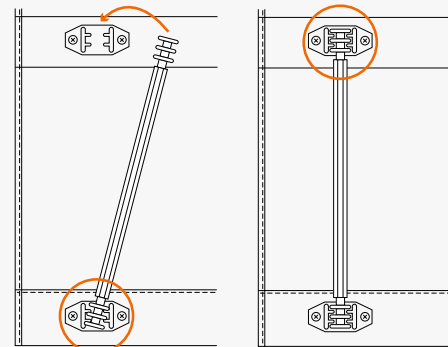


1. MONTANDO LOS SOPORTES

AJUSTANDO LOS REFUERZOS DE PLIEGUES

APUNTE: Las cortinas inalámbricas son elevadas y bajadas manualmente. Los refuerzos de pliegues se utilizan para asegurarte de que tu cortina funciona y se pliega perfectamente. Nosotros recomendamos adjuntar a los refuerzos de pliegues antes de montar tus soportes.

1. Localiza a los soportes adjuntos a las esquinas de abajo de la cortina en la parte de atrás de esta.
2. Presiona a cada borde del refuerzo dentro de los surcos en los soportes de plástico. NO hagas presión en el centro de los refuerzos, ya que se pueden romper.



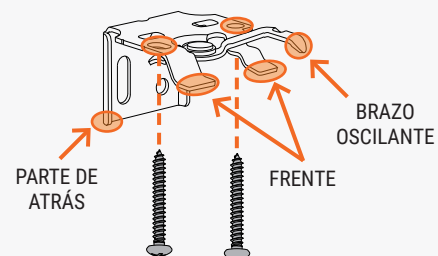
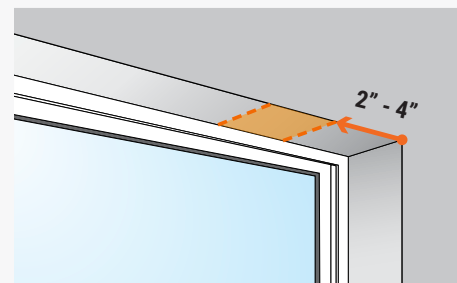
MONTAJE INTERIOR

1. Mide entre 2"- 4" de cada lado del marco de la ventana, y demárcalo una vez con un lápiz para tus soportes exteriores. El frente del soporte encarará hacia afuera desde la ventana, y la parte de atrás colgará hacia abajo paralela a la ventana.

APUNTE: Deja marcas hechas para soportes adicionales que llegues a necesitar, y que estén espaciadas de forma pareja entre tus dos marcas iniciales.

2. Centra a los soportes sobre tus marcas y retrásalas hasta que el frente del soporte se encuentre con el borde de tu ventana. Demarca a través de los hoyos de arriba en el soporte con tu lápiz. Allí es donde irán tus tornillos.

3. Ubica a cada una de tus marcas y pre-taladra hoyos con una broca de 5/64". Alinea a cada soporte con los hoyos atornillados y taladra a los tornillos asegurándolos en su lugar.



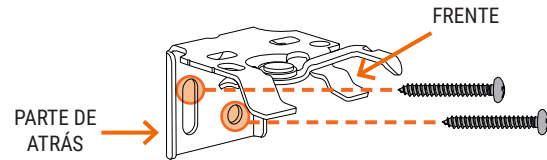
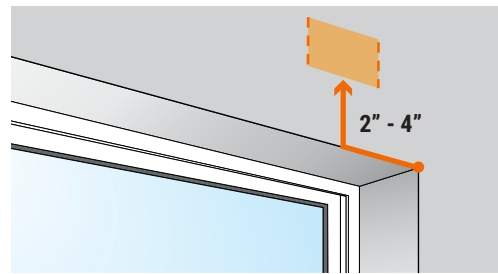
MONTAJE EXTERIOR

1. Mide entre 2"- 4" de cada lado del marco de la ventana. A partir de allí, mide otros 2"- 4" hacia arriba y haz una marca con tu lápiz.

APUNTE: Deja marcas hechas para soportes adicionales que llegues a necesitar, y que estén espaciadas de forma pareja entre tus dos marcas iniciales y a la misma altura.

2. Centra al borde de arriba de tus soportes para que esté centrado a tus marcas. Utilizando tu lápiz, demarca los hoyos de la parte de atrás del soporte. Allí irán tus tornillos.

3. Ubica a cada una de tus marcas y pre-taladra hoyos con una broca de 5/64". Alinea a cada soporte con los hoyos atornillados y taladra a los tornillos asegurándolos en su lugar.



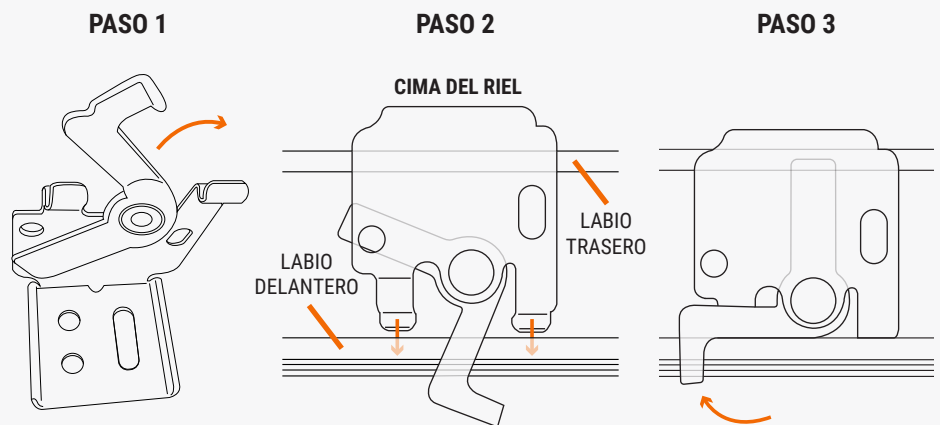
2. AJUSTANDO LA CORTINA

MONTAJE INTERIOR Y EXTERIOR

1. Desliza al brazo oscilante de todos los soportes hacia la derecha para que encaren hacia afuera de la ventana.

2. Ubica al riel en los soportes para que el borde frontal de los soportes encajen bajo el labio delantero interno. Desliza al riel de izquierda a derecha hasta que la cortina esté centrada sobre la cortina.

3. Mantén a la cortina en su posición y desliza a los brazos oscilantes hacia la izquierda en todos los soportes hasta que se agarren al labio trasero del riel. ¡Y la cortina ya está instalada!



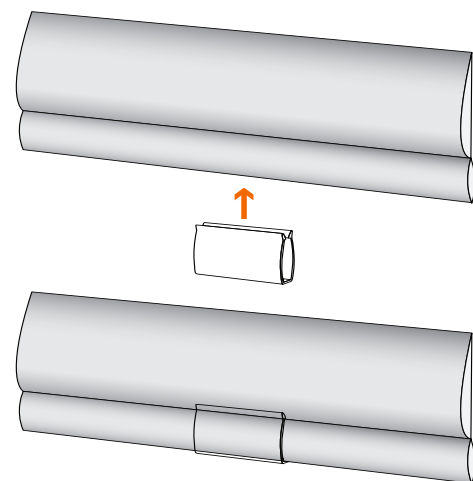
3. CÓMO UTILIZAR TUS CORTINAS

APUNTE: Las cortinas romanas inalámbricas vienen con una o dos manijas transparentes de plástico para mantener a la tela limpia tras ser utilizada varias veces.

1. Localiza a la barra de dobladillo cosida en el pliegue de abajo de la cortina. Guía al mango quebrándolo hacia el centro si solo tienes uno, o espácialos de forma pareja si cuentas con dos.

2. Si quieres bajar la cortina, toma la(s) manija(s) y tira hacia abajo lentamente.

3. Para elevar la cortina, ubica tu mano en la(s) manija(s) con tu palma hacia arriba. Tira del pliegue de abajo un poco hacia afuera de la ventana y luego eleva la cortina LENTAMENTE. Los pliegues deberían plegarse como un acordeón a medida que alzas la cortina.



CORTINAS ROMANAS

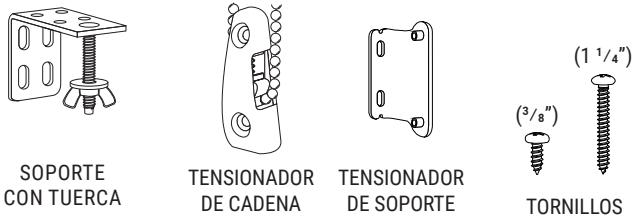
SISTEMA DE ELEVACIÓN: BUCLE DE CABLE CONTINUO



El nivel de dificultad de esta instalación es de **Nivel 1. ¡Pan comido!**

Si tienes preguntas o te atascas, llama a nuestro Equipo de Atención al Cliente al 888-257-1840, o envíale un email a customercare@selectblinds.com.

HARDWARE Y PARTES INCLUIDAS



SOPORTE CON TUERCA

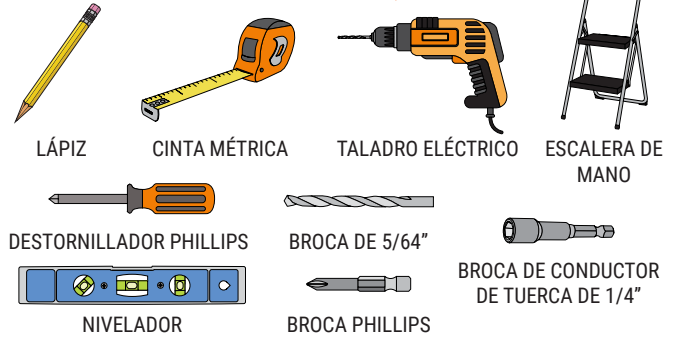
TENSIONADOR DE CADENA

TENSIONADOR DE SOPORTE

TORNILLOS
($\frac{3}{8}$ ")
($1 \frac{1}{4}$ ")

*La cantidad de soportes que recibas dependerán del ancho de tu cortina romana.

HERRAMIENTAS REQUERIDAS



LÁPIZ

CINTA MÉTRICA

TALADRO ELÉCTRICO

ESCALERA DE MANO

DESTORNILLADOR PHILLIPS

BROCA DE 5/64"

BROCA DE CONDUCTOR DE TUERCA DE 1/4"

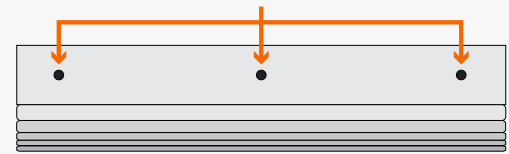
NIVELADOR

BROCA PHILLIPS

1. MONTANDO LOS SOPORTES

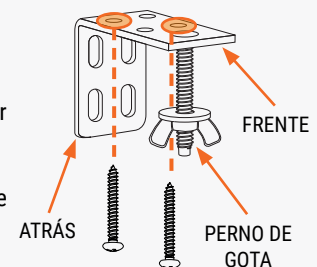
TENGA EN CUENTA: Las cortinas de Bucle de Cable Continuo y las Motorizadas tienen agujeros pretaladrados en la parte superior del riel. Utilizará estos agujeros como guía para la colocación de los soportes. Asegúrese de preperforar agujeros piloto en su superficie de montaje con una broca de 5/64" antes de utilizar los tornillos.

HOYOS PRE-TALADRADOS



MONTAJE INTERIOR

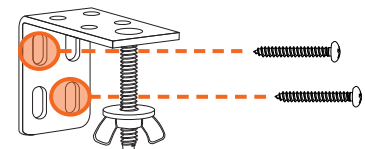
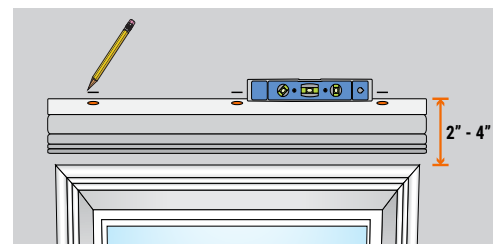
1. Agarra a la cortina por el riel y mantenla elevada por dentro de la parte de arriba de la ventana. Atrásala hasta que el frente de la cortina esté totalmente contra la pared. Mantén a la cortina en su lugar y haz una marca alrededor de cada hoyo en el riel con un lápiz. Deja a la cortina de lado.
2. Agarra un soporte y centra el perno de gota sobre cada marca. Utiliza a los hoyos ubicados en la parte de arriba del soporte para demarcar dónde irán los dos tornillos.
3. Alinee los soportes con los agujeros y utilice una broca Phillips para atornillar los tornillos.



MONTAJE EXTERIOR

TENGA EN CUENTA: Asegúrese de preperforar los agujeros piloto en su superficie de montaje con una broca de 5/64" antes de utilizar los tornillos.

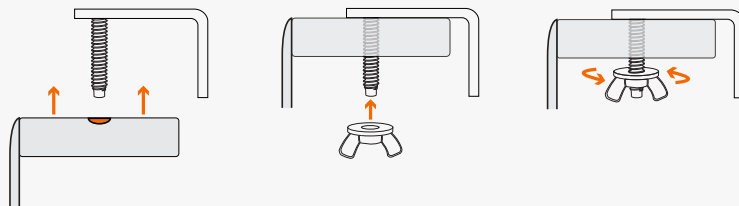
1. Centra y sostén el riel al menos dos pulgadas por encima de la ventana. Mientras mantienes a la cortina alineada, haz una línea delgada con tu lápiz justo por encima de cada uno de los hoyos pre-taladrados en el riel. Luego deja a la cortina de lado.
2. Alinea al borde de arriba de un soporte con cada marca. Alinea a los soportes con los hoyos en la parte de atrás del soporte para demarcar dónde deben ir los dos hoyos.
3. Pre-taladra los hoyos de los tornillos para cada soporte con una broca de 5/64".* Alinee los soportes con los agujeros y utilice una broca Phillips para atornillar los tornillos.



2. COLOCANDO LA CORTINA

MONTAJE INTERIOR Y EXTERIOR

1. Quita las tuercas de los soportes si todavía no lo has hecho.
2. Con el frente de la cortina de frente a ti, ajusta los hoyos pre-taladrados del riel a cada perno en los soportes. Mientras sostienes al riel a los soportes con una mano, utiliza la otra para ajustar cada tuerca a los pernos. Ajusta las tuercas hasta que la cortina este firmemente en su lugar.



3. INSTALANDO TENSIONADORES DE CADENA

APUNTE: Los tensionadores de cuerdas o cadenas se utilizan para asegurar la operación adecuada de tu cortina y para proteger a los niños de enredarse en cadenas sueltas. Quita al plástico protector de alrededor de la cadena antes de proceder si es que viene incorporado.

1. Eleva a la cortina del todo para quitarla del camino.
2. Toma al tensionador con una mano y tira del asistente de cuerda hacia arriba con la otra para liberar la cadena. Eleva a la cadena fuera de la ranura que parece una perla y desliza al tensionador hacia la parte más baja del bucle.
3. El objetivo es utilizar al tensionador para fortalecer la cadena mientras la mantienes un poco suelta. No necesitas un tensionador de soporte para un montaje interior.

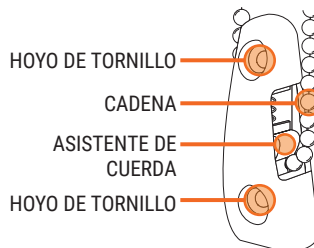
MONTAJE INTERIOR

- A. Ubica al tensionador contra la parte interna de la ventana mientras tu cadena permanece tirante. Ajústala por 1/8 de pulgada y haz una marca en cada hoyo de tornillo.
- B. Mueve a la cadena hacia afuera y utiliza las marcas para pre-taladrar hoyos de tornillo con una broca de 5/64".
- C. Alinea al tensionador con los hoyos pre-tensionados y ajusta a los hoyos de 1 1/4" y ten cuidado de NO sobre ajustar los tornillos.

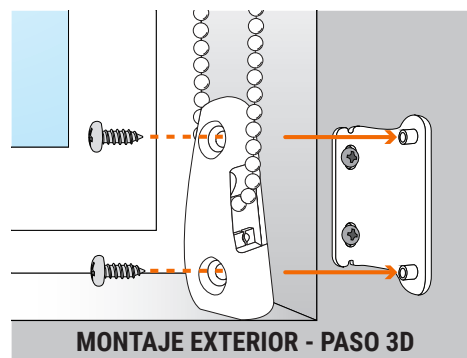
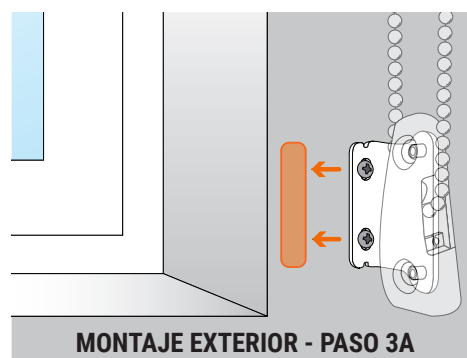
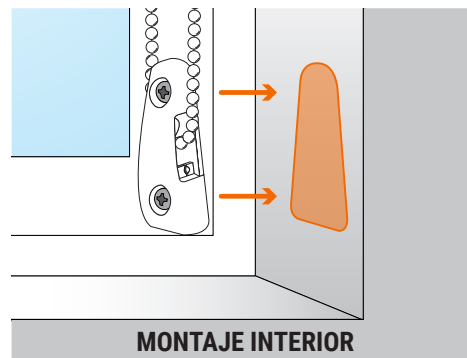
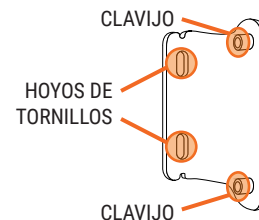
MONTAJE EXTERIOR

- A. Conecta al tensionador con los clavijos en el soporte tensionador. Ubica al soporte tensionador contra la pared mientras mantienes a la cadena bien tirante. Elévala 1/8 de pulgada y haz una marca en cada hoyo de tornillo.
 - B. Quita la cadena y utiliza las marcas para pre-taladrar hoyos de tornillo con una broca de 5/64".
 - C. Quita al soporte tensionador del tensionador, alinea al soporte tensionador con los hoyos y ajusta a los tornillos de 1 1/4" SIN sobre ajustar los tornillos.
 - D. Vuelve a adjuntar al tensionador a los clavijos y ajusta los tornillos de 3/8" SIN sobre ajustar los tornillos.
4. Para utilizar tu cortina, simplemente tira del frente de la cadena para elevarla, y tira de la parte trasera de la cadena para bajarla.

TENSIONADOR DE CADENA



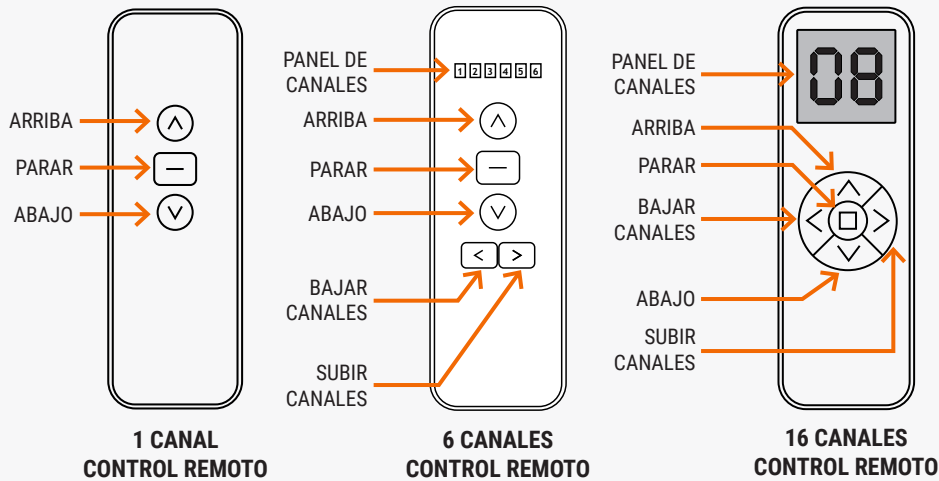
TENSIONADOR DE SOPORTE



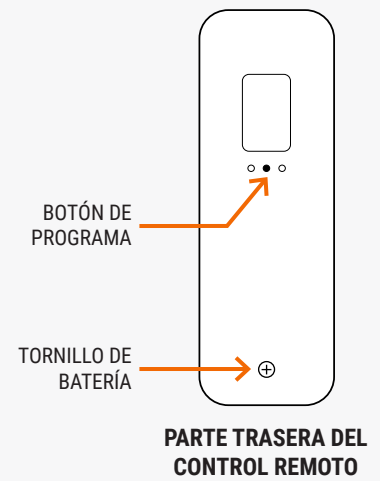
4. PROGRAMANDO Y UTILIZANDO TU CONTROL REMOTO

ADVERTENCIA: NO intentes elevar o bajar tus cortinas motorizadas con tus propias manos. Eso podría llegar a dañar de forma permanente al motor y otros componentes del riel que no estén cubiertos por la garantía.

FUNCIONES OPERACIONALES



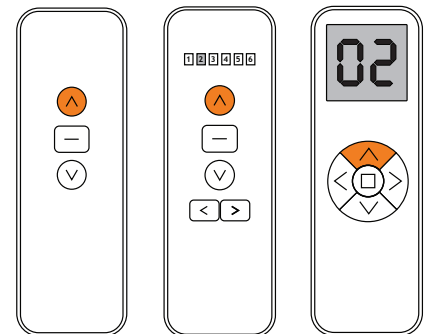
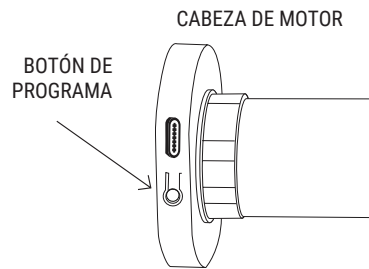
FUNCIONES DE PROGRAMACIÓN



EMPAREJANDO UNA CORTINA SINGULAR

1. Aprieta al botón de **SUBIR CANAL** o **BAJAR CANAL** en el control remoto para seleccionar el canal dedicado para la primera cortina que estás emparejando con el control remoto.

2. Localiza a la **CABEZA DE MOTOR** en la esquina izquierda del tubo enrollable bajo el riel. Mantén **PROGRAM** apretado hasta que escuches un beep y la cortina se mueve de arriba a abajo.



3. Presiona al botón de **ARRIBA** en el control remoto y la cortina se moverá nuevamente.

4. ¡Felicitaciones! Tu cortina y tu control remoto ya están emparejados. Repite este proceso para emparejar a otras cortinas con tu control remoto. Si utilizas un control con canales múltiples, selecciona un canal nuevo antes de volver a comenzar.

COMBINANDO CORTINAS MÚLTIPLES

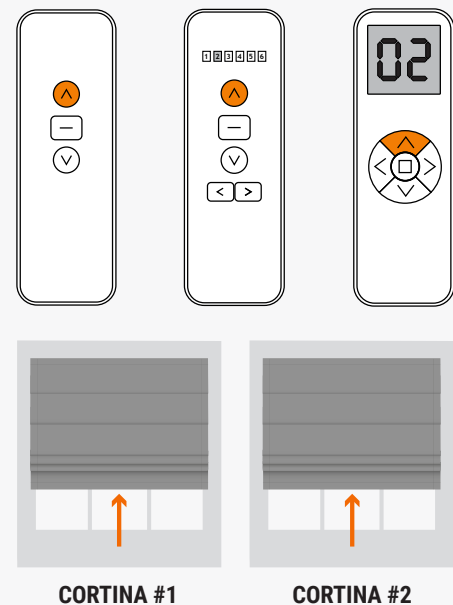
APUNTE: Tú debes contar con al menos una cortina ya combinada a un canal antes de seguir los siguientes pasos.

1. Debes poner a tu canal seleccionado en modo "dormir". Para hacer esto, presiona y aprieta el botón de **PROGRAMAR** en la **CABEZA DEL MOTOR** hasta que la cortina se mueve y escuchas un beep sostenido. Luego sueltas el botón y dejas la cortina dormida.

2. Sigue los pasos de arriba para "Emparejando Una Cortina Singular" para emparejar a una cortina nueva sin cambiar de canal. Cuando terminas, pones esta cortina a "dormir" de la misma manera que en el paso 1.

3. Repite al paso 2 para agregar cortinas adicionales en el canal. Una vez que hayas emparejado a todas las cortinas que quieres, "despierta" al motor de cada cortina presionando y apretando el botón de **PROGRAMAR** en la **CABEZA DEL MOTOR** hasta que escuches un beep breve.

4. ¡Ya está! Ahora puedes operar a todas las cortinas emparejadas en este canal de forma simultánea.



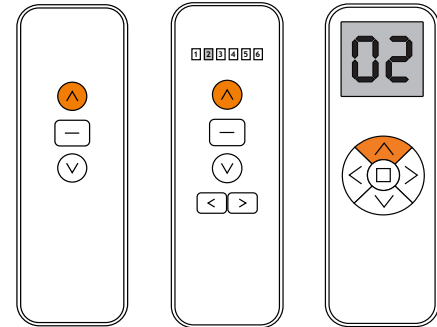
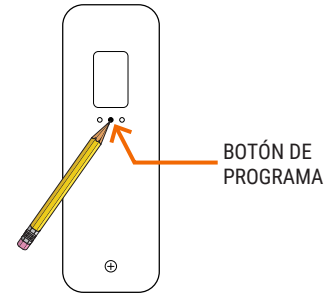
AJUSTANDO LOS LÍMITES DE ALTURA

Los límites de altura altas y bajas ya vienen hechos de fábrica, así que los siguientes pasos solo son necesarios si quieres cambiar lo que viene configurado. El límite de elevación SOLO puede ser cambiado tras hacer un reseteo de fábrica (ver página 7).

CAMBIANDO EL LÍMITE DE ELEVACIÓN

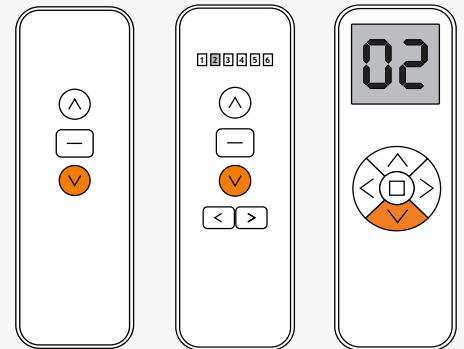
APUNTE: Antes de resetear al límite de elevación, debes seguir las instrucciones de reseteo de fábrica sí o sí obligatoriamente. Esa es la única manera de cambiar el límite de elevación.

1. Mueve a la cortina utilizando los botones de **ARRIBA** y **ABAJO** hasta que esté posicionado 6 pulgadas por debajo del límite de elevación deseado.
2. Presiona al botón de **PROGRAMAR** en la parte trasera del control remoto. La cortina se moverá indicando que ahora está en modo de programación.
3. Presiona el botón de **ARRIBA** para mover a la cortina al límite de elevación deseado. Presiona al botón de **PROGRAMAR** en la parte trasera del control remoto nuevamente y la cortina se moverá.
4. ¡Ya está! Ahora ya has reseteado al límite de elevación de tu cortina, y el motor saldrá del modo de programación automáticamente.



CAMBIANDO EL LÍMITE BAJO

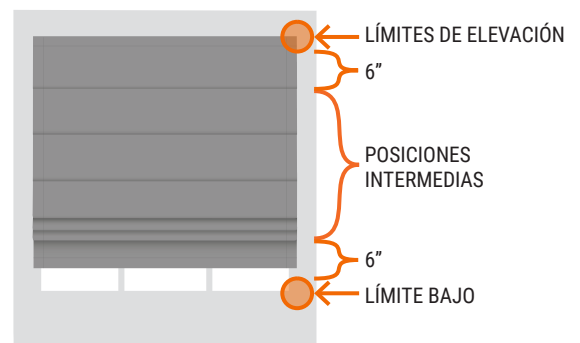
1. Mueve la cortina utilizando los botones de **ARRIBA** o **ABAJO** hasta que esté posicionada unas 6 pulgadas por sobre el límite bajo.
2. Presiona el botón de **PROGRAMAR** en la parte trasera del control remoto. La cortina se moverá, indicando que ahora está en modo programación.
3. Presiona el botón de **ABAJO** para mover la cortina al límite bajo deseado. Presiona **PROGRAMAR** en la parte trasera del control remoto. La cortina se moverá.
4. ¡Ya está! El límite bajo está hecho. Y el motor saldrá del modo programación automáticamente.



PONIENDO POSICIONES INTERMEDIAS

APUNTE: Tú puedes poner hasta cuatro (4) posiciones intermedias entre los límites bajos y de elevación de tus cortinas. Cada posición intermedia debe estar alejada al menos 6 pulgadas de los límites bajos y de elevación, y de cualquier otro límite intermedio que programes.

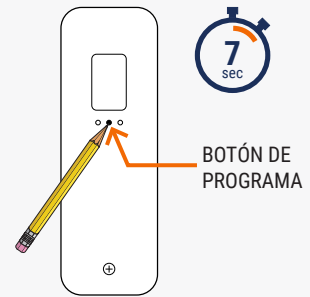
1. Mueve a la cortina hacia arriba o hacia abajo con los botones de **ARRIBA** o **ABAJO** hasta llegar al menos a las 6 pulgadas de distancia con otros límites.
2. Presiona **PROGRAMAR** en la parte trasera del control remoto. La cortina se moverá indicando que está lista en modo programación.
3. Utiliza al botón de **ARRIBA** o **ABAJO** para mover a la cortina con la posición detenida deseada y luego vuelve a presionar **PROGRAMAR** nuevamente. La cortina se moverá, indicando de esa manera que un punto nuevo de detenimiento ya está programado.
4. Repite estos pasos para agregar hasta cuatro puntos de detenimiento intermedio para tus cortinas.



BORRANDO LOS LÍMITES BAJOS Y LAS POSICIONES INTERMEDIAS

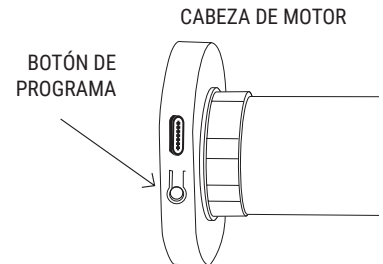
APUNTE: Los límites bajos y las posiciones intermedias pueden ser borradas y reasignadas. Los límites de elevación solo pueden ser quitados con un reseteo de fábrica.

1. Para borrar una posición específica de la cortina, utiliza a los botones de **ARRIBA** o **ABAJO** para mover a la cortina hacia la posición que quieras borrar.
2. Presiona y mantén apretado al botón de **PROGRAMAR** ubicado en la parte trasera del control remoto por unos 7 segundos. La cortina se moverá una vez antes de los 7 segundos y una vez después. Ahora has borrado los límites/posiciones de la cortina.



HACIENDO UN RESETEO DE FÁBRICA

1. Presiona al botón **PROGRAMAR** en la **CABEZA DEL MOTOR** cuatro (4) veces seguidas.
2. Presiónalo nuevamente por quinta vez, manteniendo el botón apretado hasta que la cortina se mueva dos veces.
3. Ahora la memoria y todo lo preseleccionado ha sido borrado. Para utilizar a la cortina otra vez, empareja un control remoto a ella y ponle nuevos niveles de elevación y descenso.



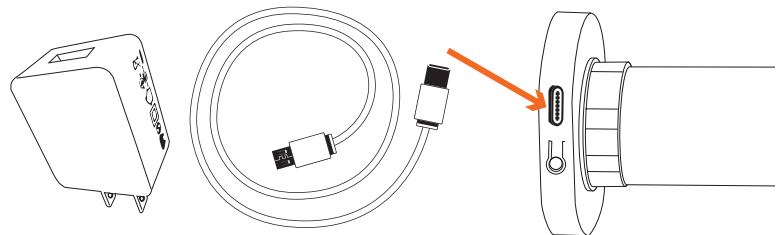
UTILIZANDO EL CONTROL REMOTO PARA CONTROLAR TU CORTINA

1. Presiona el botón de **ARRIBA** o **ABAJO** una vez para mover la cortina a la próxima posición más alta o más baja.
2. Presiona el botón de **ARRIBA** o **ABAJO** dos veces (una vez por segundo) y la cortina se moverá a la posición límite de arriba o de abajo sin detenerse en ninguna posición intermedia que hayas establecido.

RECARGANDO LA BATERÍA DE LA CORTINA

APUNTE: Si la cortina comienza a moverse un poco más lentamente, la carga de la batería podría estar baja. Enchufa a la cortina en una toma de corriente y carga la batería por 6 horas.

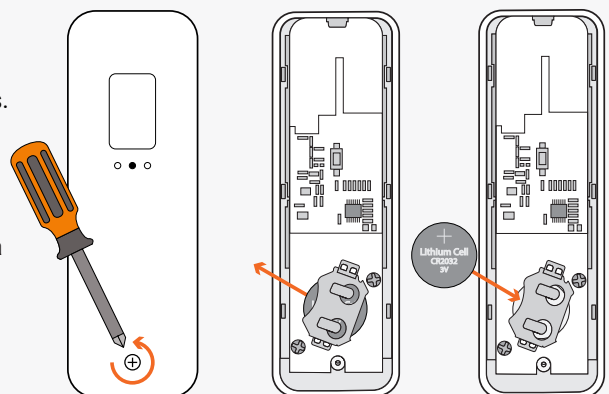
1. Encuentra al cable del cargador detrás de la tela en el lado izquierdo del riel. Conecta a ese cable con el cargador de batería provisto.
2. Enchufa al cargador de la batería en la toma de corriente de la pared más cercana. Si el cable no es lo suficientemente largo para llegar a una toma, utiliza una cuerda de extensión (no viene incluida) para compensar.



REEMPLAZANDO LA BATERÍA DEL CONTROL REMOTO

APUNTE: La batería utilizada para encender tu control remoto es una batería de célula 3V en forma de moneda (CR2032). Baterías adicionales no vienen incluidas.

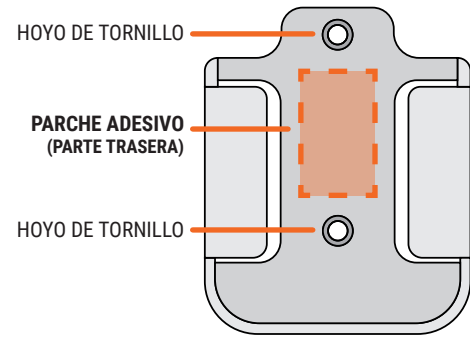
1. Utiliza un destornillador chiquito para quitar el tornillo de la batería en la tapa trasera del control remoto. Luego desliza a la tapa trasera suavemente hacia arriba para soltarla, y agárrala hacia arriba afuera del control remoto.
2. Quita a la batería vieja de la placa de circuito al deslizarla diagonalmente fuera del soporte mientras lo sostienes hacia abajo. Ubica una batería de célula 3V nueva en el soporte con el lado de "+" mirando hacia arriba.
3. Reubica a la cobertura trasera del control remoto y asegura al tornillo de la batería.



INSTALANDO UN PORTADOR DE MONTAJE PARA LA PARED

APUNTE: Un portador de montaje para la pared viene incluido con tu control remoto, pero instalarlo es opcional. Si eliges montar al portador con el parche adhesivo en la parte de atrás, asegúrate de limpiar y secar a la superficie de montaje primero.

1. Determina dónde quieres ubicar a tu portador remoto en tu cuarto. Lo más común es ubicarla cerca de un interruptor de luz o en la pared al lado de la ventana.
2. Inserta a los tornillos provistos para asegurar al portador erecto en nuestra superficie montada. Para el parche adhesivo, presiona al portador firmemente en la superficie por unos 30-45 segundos.



INSTRUCCIONES DE LIMPIEZA

APUNTE: Todas las telas son distintas y algunas podrían llegar a ser más fáciles de limpiar que otras. Nosotros recomendamos limpiar tus cortinas al menos una vez al mes. A continuación te explicamos como:

1. Utiliza un plumero o una aspiradora con un cepillo adjunto y recorres la cortina de frente y por detrás para mantenimiento de rutina.
2. Para descubrir manchas, utiliza un trapo húmedo con un detergente o jabón suaves. Salpica los rincones afectados, ¡NO frotes! Deja que la zona mojada se seque al aire libre y repite cuantas veces sea necesario.
3. Si tu cortina romana tiene arrugas, tú puedes utilizar un limpiador a vapor básico para quitarlas siempre y cuando lo mantengas a seis pulgadas de distancia de la tela y lo muevas de atrás pára adelante en las zonas arrugadas.

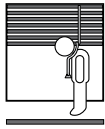
GARANTÍA Y REEMPLAZO

Para saber más sobre las garantías de nuestro producto, visita: <https://www.selectblinds.com/warranty.html>

Para partes de reemplazo y/o reclamar una garantía para un producto dañado, defectivo o con partes extraviadas, por favor contacta al Equipo de Servicio al Cliente llamando al 888-257-1840 o enviando un email a customer@selectblinds.com.

ADVERTENCIA DE SEGURIDAD DE NIÑOS

⚠ ADVERTENCIA



Las persianas y cortinas para ventanas con cuerdas podrían llegar a posar un riesgo de estrangulación o de lesión severa para niños pequeños y mascotas. Utiliza las siguientes recomendaciones para asegurarte su bienestar con las coberturas para ventanas con cuerdas:

- Mueve los muebles que los niños puedan trepar lejos de la ventana.
- ¡NUNCA ubiques a una cuna al lado de la ventana!
- Mantén a las cuerdas elevadas y lejos del alcance de los niños.
- Siempre utiliza los aseguradores de cuerdas para productos con cuerdas.
- Asegura a los tensionadores seguros para niños a una cadena de bucle de cable continuo contra la pared o el revestimiento de la ventana.

No-Drill Blinds Headrail



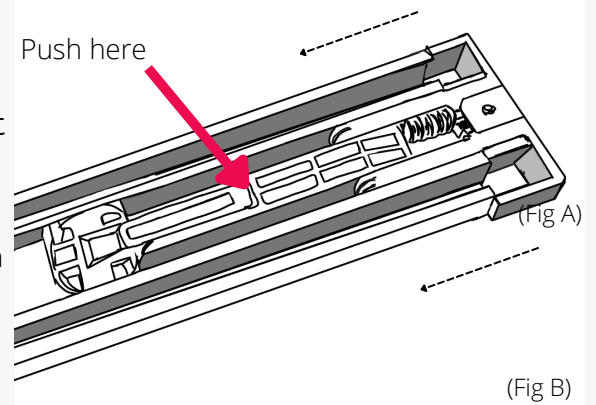
The difficulty level of this installation is ranked at **Level 1. A piece of cake!**

If you have questions or get stuck, call our Customer Care Team at 888-257-1840, or email customer@selectblinds.com

1. Preparing the No Drill Blinds Headrail

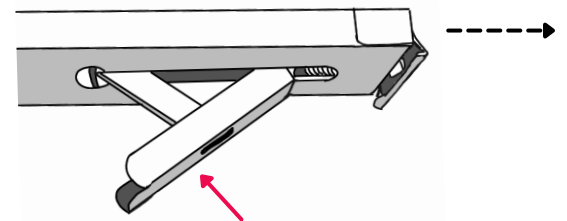
Pull the lever from below or push down on the mechanism from above to retract the tension boot (See Fig B).

Install the metal strips or padded adhesive tape on opposite sides of the window opening where you'll be installing the No-Drill Blinds Headrail. This is optional and only available on larger products.



2. Installing the No Drill Blinds Headrail

Insert the No-Drill Blinds Headrail into the window opening, make it flush with the top of the window opening, then push on the lever to extend the tension spring and secure the No-Drill Blinds Headrail. (See Fig C)

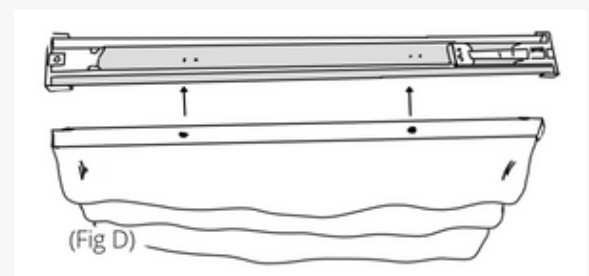


Push the lever in here to extend the spring end.

(Fig C)

3. Installing the Product

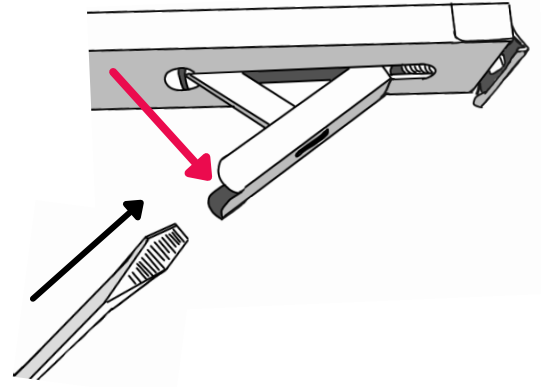
Install the product onto the brackets (See Fig D). Test and operate the product to ensure secure installation and smooth functionality.



Uninstalling the No Drill Blinds Headrail

To uninstall the product, follow step 1 by removing the product from the headrail and use a screwdriver to unlatch the lever.

Make sure to hold the No Drill Blinds Headrail in place while unlatching the lever. This will prevent damage to the window or headrail.



Tech Tip

If the fixed boot end was accidentally forced out, use a flathead screwdriver to twist the red "droplets" towards the center and then push it back in.

