

CONTENTS	PAGE
Getting Started:	
• Tools Needed -----	1
• Considerations Prior to Installing ---	1
• Troubleshooting Tips -----	1
• Parts Included in your Package ----	1
• Cleaning Your Shade -----	1
Installation:	
• Mounting the Brackets -----	2
• Installing the Sheerview Shade -----	2
• Installing the Cord Tension Device -	3
Warning	
• Child Safety -----	3
• Emergency First Aid -----	3
• Warranty -----	3
Questions?	
• Contact your Dealer	

If applicable

SHEERVIEW

HORIZONTAL SHEER SHADES

Thank you for Choosing our Sheerview Shade for your Residential or Commercial Property.

We are confident that you will find our Horizontal Sheerview Shade to be of superior quality and value, compared to other shades available.

In this guide, you will find useful information about installation, child safety, cleaning, and warranty when using your shade.

READ ALL INSTALLATION INSTRUCTIONS BEFORE INSTALLING

Contacting Us:

Contact your Dealer regarding any question or concerns about your product.

PLEASE KEEP FOR FUTURE REFERENCE / TROUBLESHOOTING

SUGGESTED TOOLS (not included)



DRILL

1/16" drill bit,
and 1/4"
hex driver



SCREWDRIVER

Flat blade, Phillips, or
1/4" hex driver



LEVEL



TAPE MEASURE



PENCIL



LADDER

THINGS TO CONSIDER BEFORE YOU BEGIN YOUR INSTALLATION

Your new shade is custom made to your specifications from the finest fabrics available. The installation should be easy and your shade will look elegant.

MOUNTING OPTIONS:

Inside mount (IB):

The shade is mounted inside to the top of the window frame.



Outside mount (OB):

The shade is mounted either on or outside the window frame.



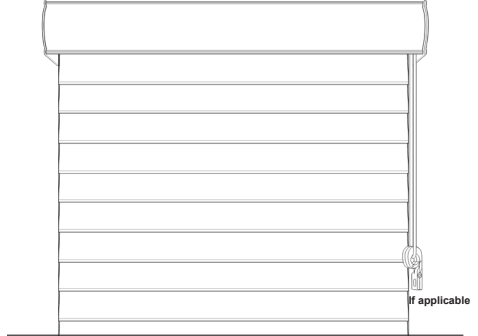
Mounting NOTES:

Mounting screws provided are suitable for most mounting surfaces. See below for additional suggestions.

- For wallboard or plaster: Use hollow wall anchors for added support. (not included)
- For concrete, stone, brick or tile: Use an appropriate drill and appropriate anchors before fastening the screws. (not included)
- For metal surfaces: Pre-drill holes and use appropriate anchors before fastening the screws. (not included)

INCLUDED IN YOUR PACKAGE

Sheerview Shade

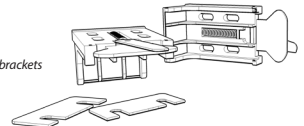


If applicable

Brackets

Quantity: 2

The wider the shade the more brackets provided - see chart below



- A shade 39" or less come with 2 brackets
- A shade 78 3/4" or less come with 3 brackets
- A shade greater than 78 3/4" come with 4 brackets

Screws

Quantity: 8 per packet



TROUBLE SHOOTING TIPS

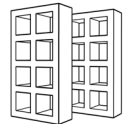
Dry-Fit Bracket into Headrail Cassette:

Prior to installing your shade, dry-fit the Bracket into the Headrail Cassette to verify how the bracket will snap into place.

OPTIONAL PARTS: (supplied upon request)

Spacer Blocks

Use for shades that need more space between the wall.



CARE AND CLEANING

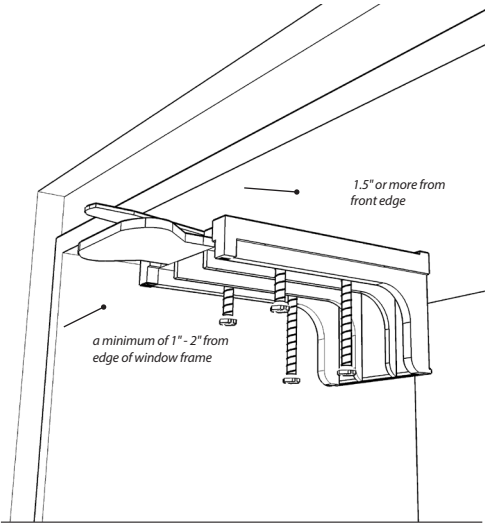
The soft, delicate feel of the fabric belies the durability of the material. It is made from a sturdy, knitted polyester fabric which can be feather dusted or vacuumed on a low setting. Spots or stains can be lightly rubbed clean with a damp sponge and mild soap. To avoid discoloration of the material, we recommend against the use of chemical cleaners. The sheer fabric may also be ultrasonically cleaned.

1

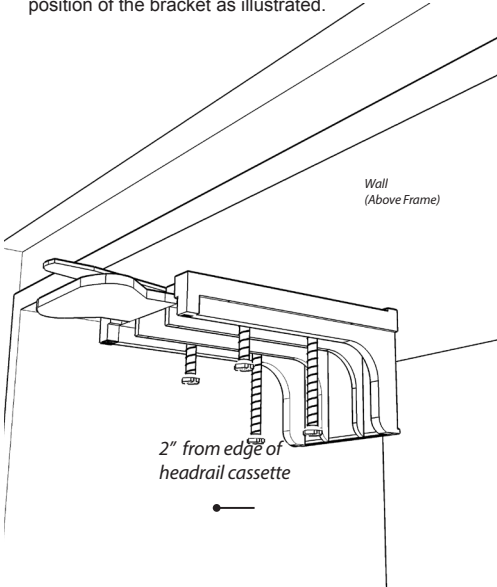
MOUNTING BRACKETS

Installing Brackets:

Inside mount: Mount brackets a minimum of 1" - 2" away from the edges of the product depending on the overall width of the shade.



Outside Mount: Outside edge of the brackets should be positioned at a minimum of 2" from the outside of the headrail cassette, note the sticker on the headrail cassette. Use wall anchors for a secure hold. Mark the position of the bracket as illustrated.



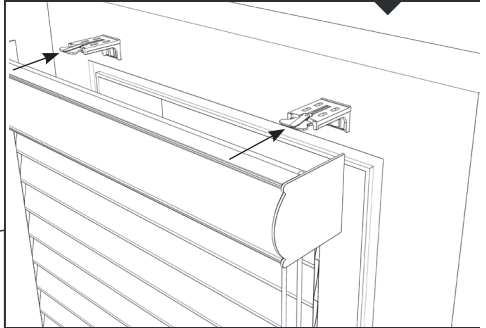
2

INSTALLING THE SHADE

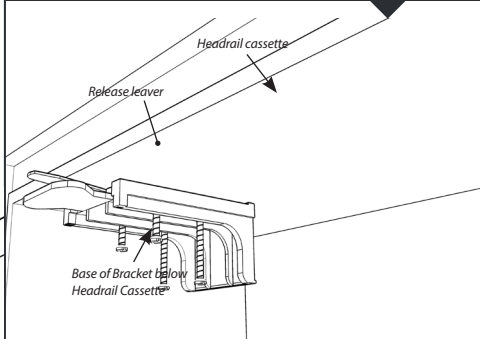
Install each bracket with the provided screws per bracket.

Slide headrail cassette into the brackets, be aware that the release tab should be above the top of the headrail cassette so it can be accessed to release the shade.

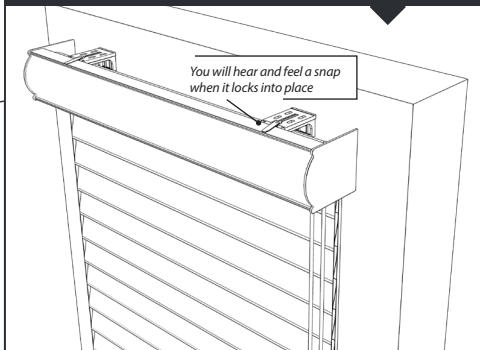
slide the shade into the brackets and it will "SNAP" into place



the shade should sandwich between top and bottom of bracket



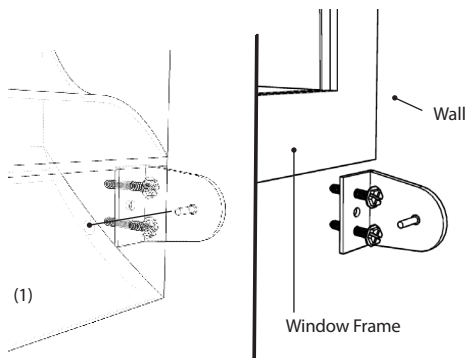
the top of the shade should look like the referenced image below



INSTALLING HOLD DOWN BRACKETS (OPTIONAL)

(only if you have ordered hold down brackets)

- Lower the shade to the desired height.
- Position the hold down bracket to align the tab.
- Mount the bracket using the two screws provided (see Fig 1). Insert the tab into pre-drilled hole. To raise or lower the shade, release the bottom rail from the brackets by pulling the brackets away from the bottom rail.



THIS PRODUCT IS...



WARNING

Young children can **STRANGLE** in cord and bead chain loops and in the loop(s) above the cord connector. They can also wrap cords around their necks and **STRANGLE**.



- Always keep cords and bead chains out of children's reach.
- Move cribs, playpens, and other furniture away from cords and bead chains. Children can climb furniture to get to cords.

CHOKING HAZARD

- Keep cord out of reach from children.
- Remove objects below window.
- Do not tie cords together.
- Make sure safety cords are located 1-2 inches below the headrail.
- Please reference all warning tags in the instructions and on the shade.
- Please keep cords out of children and pets reach, a cord cleat or a cord tensioner device can be found at a local window covering store.

EMERGENCY FIRST AID FOR STRANGULATION



- Remove cord from child's neck
- Call 911 or an emergency Call Center
- Clear the throat
- Check breathing and heartbeat
- Begin CPR if trained

NOTE:

The Warning labels on the bottom-rails of corded window coverings contain important safety information. These warning labels are designed to be permanent, in accordance with the industry's safety standards, and must not be removed.

WARRANTY:

We offer a 2 year warranty on the Cellular E-Series motor and controls. Specifically, we warrant the Cellular E-Series motor and wand control to be free from defects in material and workmanship under normal and proper use for a period of 2 years commencing with the date stamped on each product. If the product fails within this 2 year period, we will repair or replace it free of charge through your end product supplier. Batteries are not covered by the warranty.