

# Vertical Blinds Installation Instructions

**Heavy Duty Track**

## Please Follow These Installation Instructions

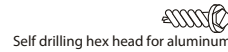
You will need a pencil, tape measure, drill, screwdriver, pliers and appropriate fasteners.

### Step 1 Choose the Correct Fastener



No. 8 sheet metal screws for wood and aluminum

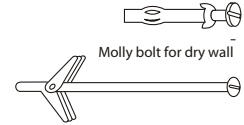
Included Fasteners



Self drilling hex head for aluminum



Rawl plug and sheet metal screw for concrete



Molly bolt for dry wall  
Toggle bolt for lathe and plaster or drywall

Alternate Fasteners (not included)

Outside Mount

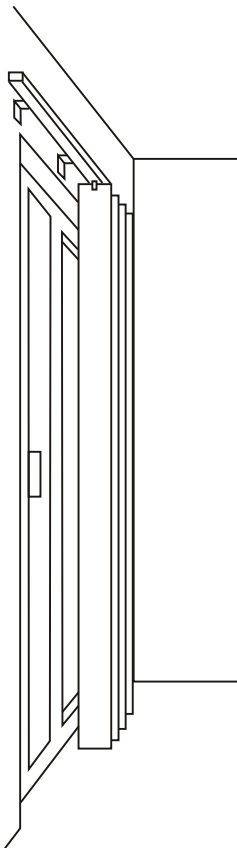


Figure 1

Inside Mount

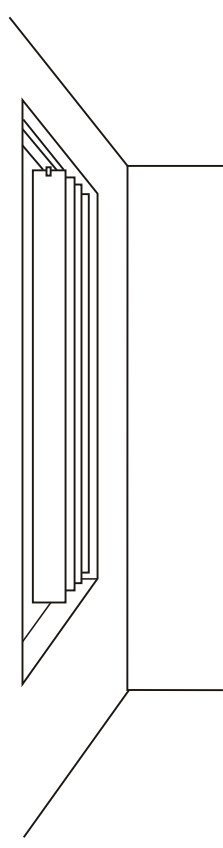


Figure 2

Ceiling Mount

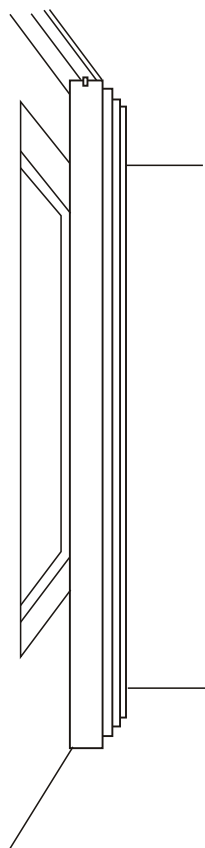
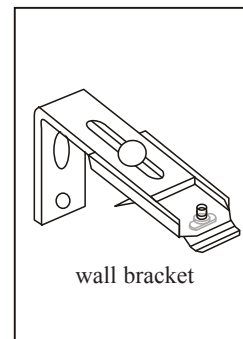


Figure 3

### Step 2 Outside Mount (Figure 1)



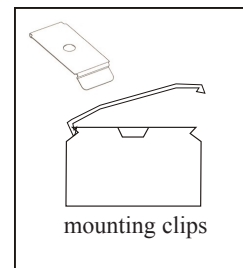
wall bracket

Standard wall brackets are adjustable and provide 1/2" and 1 1/2" wall clearance.

Determine the height for the top of the bracket (measured from the floor) by adding 1/2" to the blind height including the headrail. When installed, louvers will clear the floor by 1/2".

Place the first bracket directly over the corner of the window with a maximum space of 30" between brackets. Adjust the bracket so louvers clear all obstructions.

### Inside or Ceiling Mount (Figures 2 or 3)



mounting clips

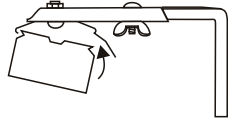
Use mounting clips to secure headrail on ceiling or inside mounts.

The center of the mounting clip aligns with the center of the louver carrier stem. Position the screws a minimum of 2 1/4" in front of the window frame or any projection.

Set mounting clips with a maximum space of 30" apart from each other. Allow a minimum of 1/2" clearance above sill or carpet.

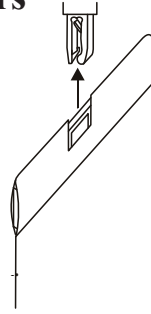
### Step 3 Install Headrail

Mount the brackets on the headrail then snap in place, as illustrated. To remove headrail, simply push the release lip up with a screwdriver.



### Step 4 Attach Louvers

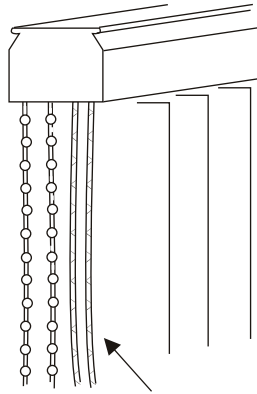
For free hanging louvers, push the louver up into the carrier stem, then straight down to lock in place. Channel panel louvers attach the same way, just make sure that excessively thick insert material does not go inside the carrier stems.



### Step 5 Test Traverse

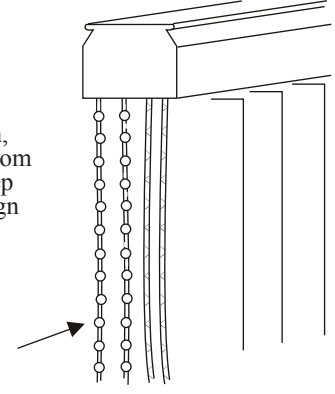
Alternately pull the cords to ensure that the blind traverses smoothly in both directions.

**CAUTION: DO NOT TRAVERSE THE BLINDS WITH THE LOUVERS IN THE CLOSED POSITION**



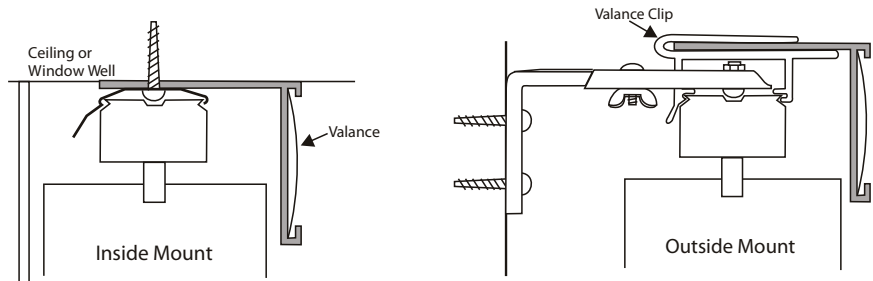
### Step 6 Test Rotation

Pull the beaded chain once in each direction, rotating the louvers from front to back. This step will automatically align all of the louvers.



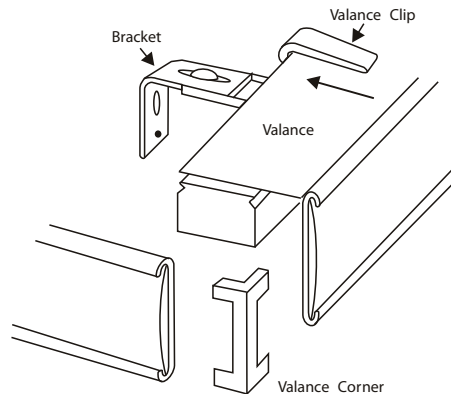
## Basic Valance Installation

For ceiling mounts, install the headrail bracket clip mounting screw through the valance as shown. Make sure louvers do not hit the valance.



## Valance with returns Installation

Snap the valance clip onto the top of the headrail. Slide valance into the valance clip. Assemble valance returns as shown. Returns may need to be trimmed to fit length using a heavy duty scissors.



**WARRANTY:** Prestige Vertical Blinds are backed with a Limited Lifetime Warranty which does not cover normal wear and tear, improper installation, abuse or other items outside of Prestige Window Fashions control. The louvers have a three year warranty. Louvers may gradually lose color after long exposure to the sun and are not covered by the warranty. Freight and packaging to and from our facility is not covered under the warranty and is the customer's responsibility.