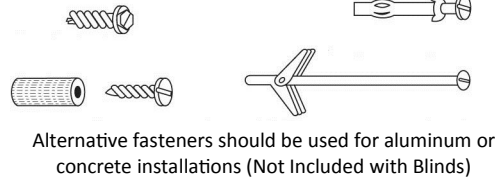
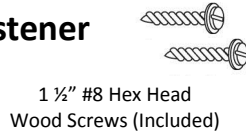


Vertical Blind – Wand Control Installation Instructions

Please follow these Installation Instructions

You will need a pencil, tape measure, drill, screwdriver, pliers, and appropriate fasteners.

Step 1: Choose the Correct Fastener



Step 2: Bracket Installation

(Before installing, review the chart below to confirm the correct # of brackets per blind) **For Inside Mount blinds with a valance Go to step 7**

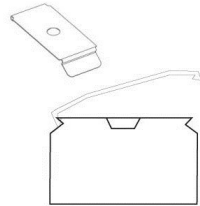
Outside Mount (Figure A)



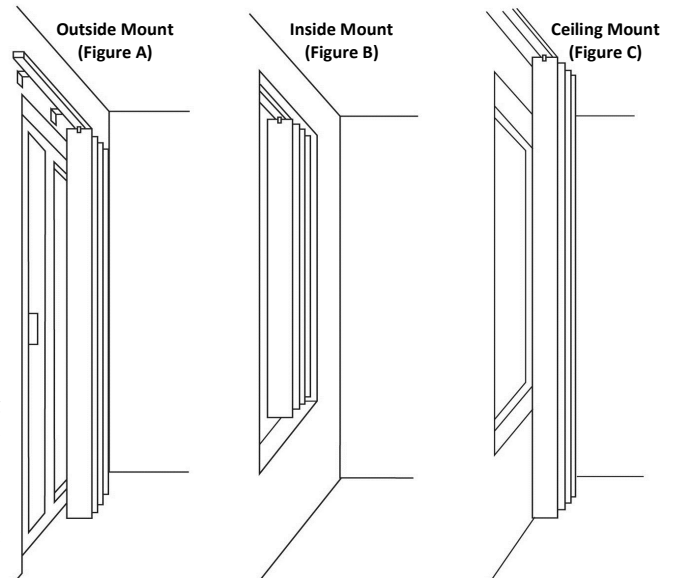
Standard wall mount installation brackets are adjustable and provide 1/2" to 1 1/2" wall clearance. Determine the height for the top of the bracket (measured from the floor) by adding 1/2" to the blind height including the headrail. When installed, louvers will clear the floor by 1/2".

Place the first bracket directly over the corner of the window with a maximum space of 30" between brackets. Adjust the bracket so the louvers clear all obstructions.

Inside Mount No Valance (Figure B or C) Inside Mount with a Valance see step 7



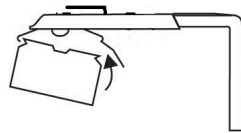
Use mounting clips to secure headrail on ceiling or inside mounts. The center of the mounting clips align with the center of the louver carrier stem. Position the screws a minimum of 2 1/4" in front of the window frame or any projection. Set mounting clips with a maximum space of 30" apart from each other. Allow a minimum of 1/2" clearance above sill or carpet.



Use the following # of Installation Brackets based on the Blind Width:						
Up to 54"	54 - 1/8" - 84"	84 1/8" - 108"	108 1/8" - 132"	132 1/8" - 156"	156 1/8" - 180"	
2	3	4	5	6	7	

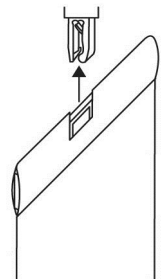
Step 3: Headrail Installation

Mount the installation brackets on the headrail then snap in place, as shown below. To remove headrail, simply push the release lip up with a screwdriver.

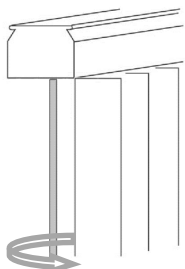


Step 4: Louver Installation

Push the louver up into the carrier stem, then pull slightly straight down to lock in place.

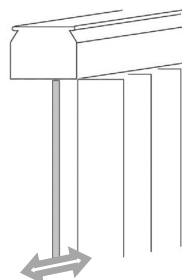


Step 5: Test Rotation



To rotate the louvers, rotate the wand in the direction you want the louvers rotated. This step will align all of the louvers.

Step 6: Test Traverse



Alternatively To traverse the louvers, rotate the louvers to the open position then push or pull the wand to open (stack louvers) or close (unstack louvers) the blind.

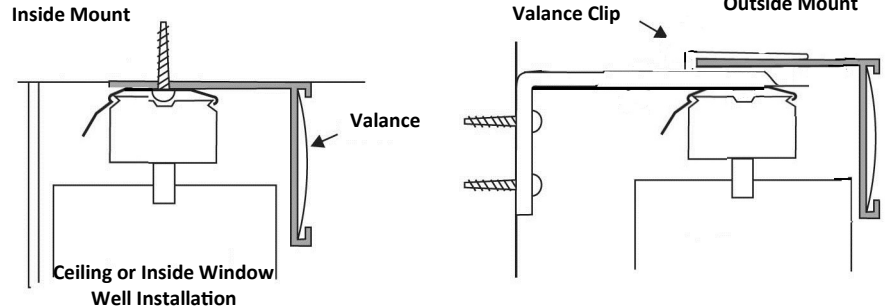
Caution: Do not traverse the blind with the louvers in the closed position.

Vertical Blind– Wand Control Installation Instructions

Step 7: Valance Installation

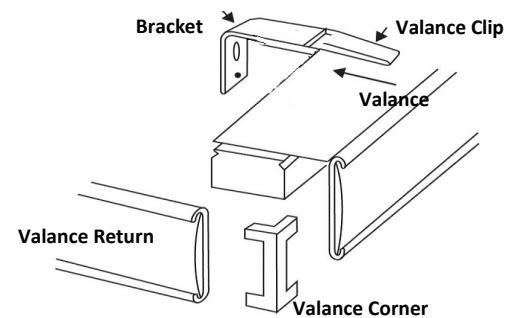
For inside or ceiling mounts, install the headrail bracket clip mounting screw through the valance as shown. Make sure louvers do not touch the valance.

For outside mounts, the dustcover of the valance slides under the protruding clip on the top of the mounting brackets.



Valance Returns

Valances are available with Square Snap in Corner Returns or Round Corner Returns. Returns for Round Corner Valances will come preassembled. For Square Corner Valance Returns, slide the clear plastic corner clip onto the top edge of the valance. Then slide the valance return into the other side of the corner clip as shown. Valance returns may be trimmed to fit if necessary with heavy duty scissors.



Operating Instructions

Wand Control

To rotate the louvers, rotate the wand in the direction you want the louvers rotated. To traverse the louvers, rotate the louvers to the open position. Then, push or pull the wand to open (*stack louvers*) or close (*unstack louvers*) the blind. If louvers are installed with the front of the louver facing the wand, the wand will be in front of the louvers when the blind is rotated closed. If the louvers are installed with the back of the louver facing the wand, the wand will be in back of the louvers when the blind is rotated closed.

If louvers become tangled or have moved out of alignment with use, re-adjustment is simple. With your hand, gently adjust the louvers so they are all facing the same direction. Make certain that the louvers are overlapping each other in the correct direction. Rotate the wand until you hear a grinding sound. Give the wand an additional gentle turn. This grinding noise comes from the louver carriers re-aligning themselves. Now rotate the wand in the opposite direction and all of the vanes will be aligned correctly.