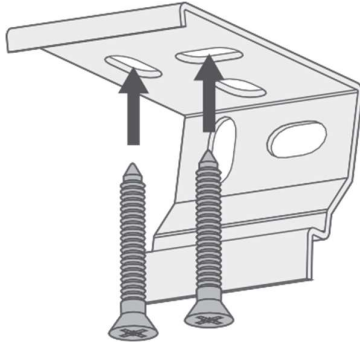


Fitting the brackets

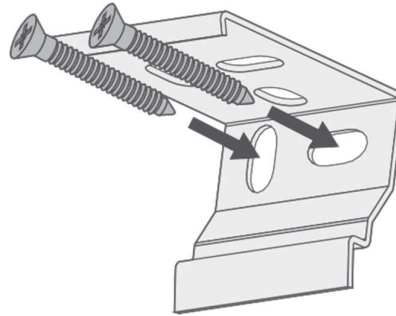
1

The brackets offer two methods of installation:



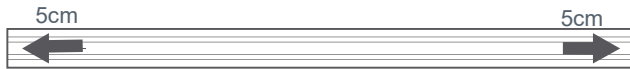
Top-Fixing

Use the front two holes in the top of the bracket to fix to the lintel (the 'ceiling' of the recess).



Face-Fixing

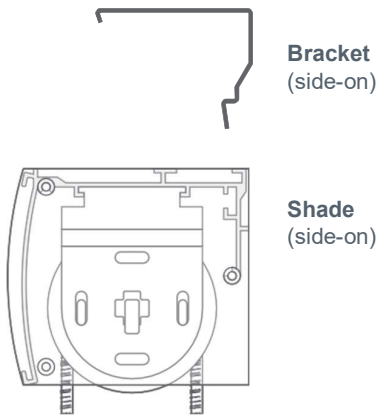
Use two screws through the back plate to mount onto a facing surface (a wall or window frame)



Note that the position of the outermost brackets should be at least 5cm away from the ends of the rail, with any other brackets evenly distributed across the width.

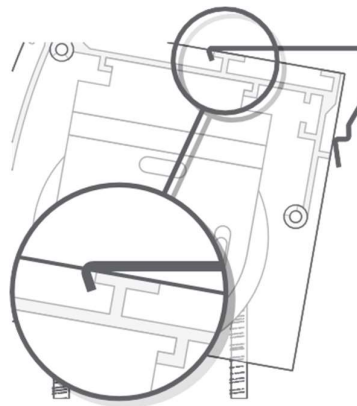
Fitting the shade

2

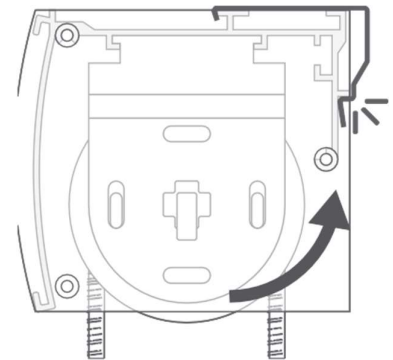


Bracket
(side-on)

Shade
(side-on)



Holding the rail at an angle, situate the T-shaped lip on the top of the cassette into the front lip of the bracket.

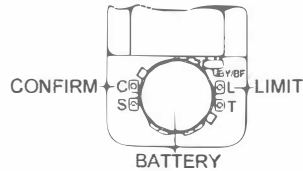
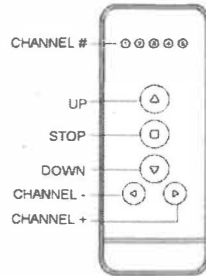


Twist the back of the cassette upwards until it snaps into place against the back lip of the bracket.

SelectBlinds®

Remote BF-305A

Programming Instructions



1. Adjust switch on BY or BF working mode

BY mode: Short press UP or DOWN button motor in jog rotating, long press UP or DOWN button over 2 seconds motor will rolling up or down continuously.

BF mode: Short press UP or DOWN button motor will rolling UP or DOWN continuously

2. Select the Channel for Programming:

Press "CHANNEL+" or "CHANNEL-" to choose the channel until the LED bright on the channel you want.

3. Programming this channel on the Motor or Receiver:

Let the motor or receiver under the programming state (operating according to the instructions of the motor or receiver)

4. Then press the CONFIRM key on the remote

(do it in 6 seconds after the motor under the programming state), the motor jogs, beeps or the receiver beeps to confirm the programming succeed.

FIY: The group channel will be recorded on the motor automatically when the single channel has been programmed on the motor.