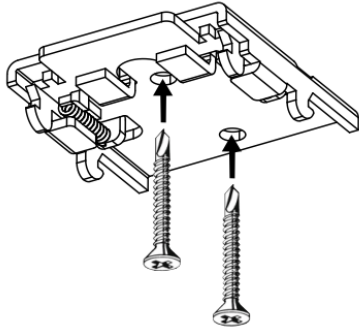


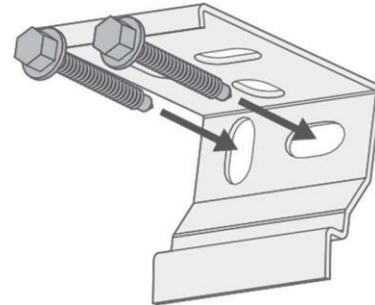
### Fitting the brackets

The brackets offer two methods of installation:



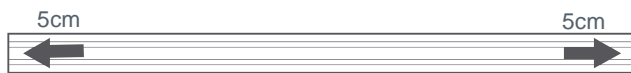
**Inside mount**

Use the front two holes in the top of the bracket to fix to the ceiling of the recess.



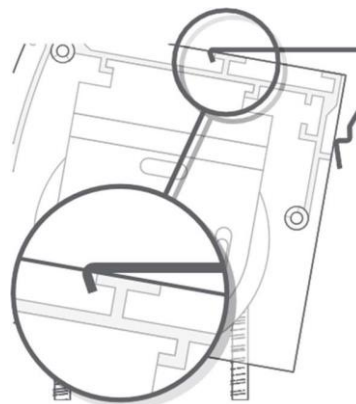
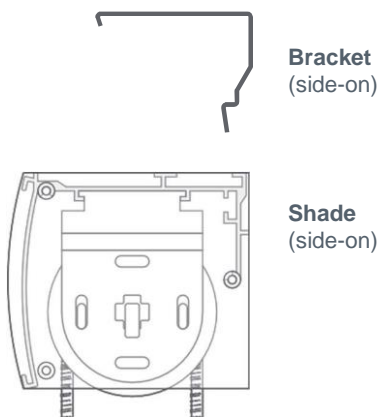
**Outside mount**

Use two screws through the back plate to mount onto a facing surface (a wall or window frame)

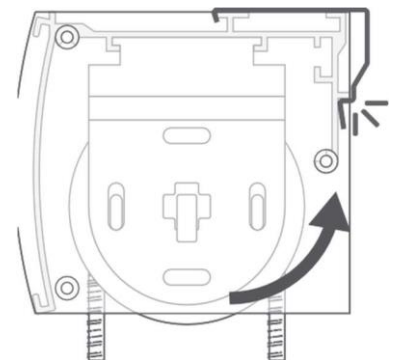


Note that the position of the outermost brackets should be at least 5cm away from the ends of the rail, with any other brackets evenly distributed across the width.

### Fitting the shade



Holding the rail at an angle, situate the T-shaped lip on the top of the cassette into the front lip of the bracket.



Twist the back of the cassette upwards until it snaps into place against the back lip of the bracket.

## Chain Tensioner

## Child Safety

Shades with clutch controls come with a continuous chain loop, which should always be screwed to the wall with the included chain tensioner.

The chain tensioner should be installed to a flat surface, so the bead chain is taut but not stretched. Be sure not to twist or cross the chain.

On inside mount shades, the tensioner may be attached to the windowsill or to the inside of the window frame. For outside mount or wall mount shades, the bracket may be mounted to the exterior of the window frame or the wall.

With a pencil, mark the desired location of the screw holes for the tensioner and then drill pilot holes. Then install the tensioner with the screws, making sure that the tensioner is fully installed, so that the spring is pushed in and the chain passes smoothly through the guide.



**The chain tensioner forms an important safety function by keeping chain loops away from small children. Never operate this shade without a functioning and correctly installed chain tensioner.**

*Please retain these instructions for the future reference.*

*Thank you for purchasing this product. Please read the instructions and warning carefully before installation to ensure safe and satisfactory use of this product.*

# No-Drill Blinds Headrail



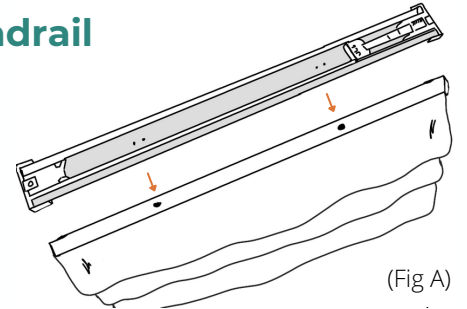
The difficulty level of this installation is ranked at **Level 1**. *A piece of cake!*

If you have questions or get stuck, call our Customer Care Team at 888-257-1840, or email [customer@selectblinds.com](mailto:customer@selectblinds.com)

## Remove the No-Drill Blinds Headrail

The No-Drill Blinds Headrail will already be installed onto the existing product headrail.

Remove the product from the headrail (See Fig A), which will vary from product and depend on lift type.

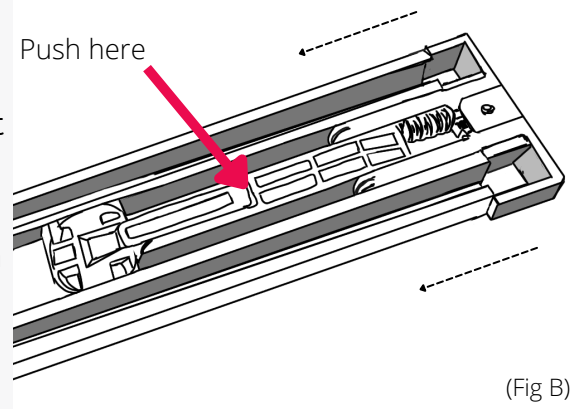


(Fig A)

### 1. Preparing the No Drill Blinds Headrail

Pull the lever from below or push down on the mechanism from above to retract the tension boot (See Fig B).

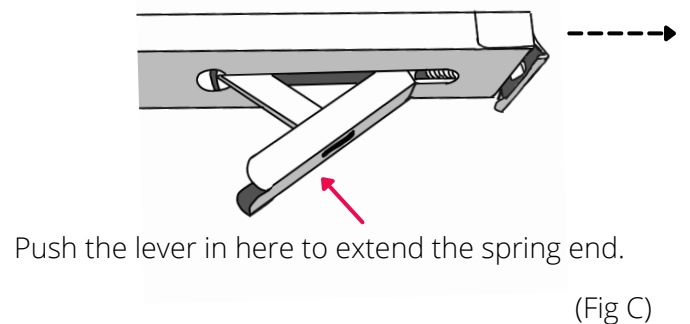
Install the metal strips or padded adhesive tape on opposite sides of the window opening where you'll be installing the No-Drill Blinds Headrail. This is optional and only available on larger products.



(Fig B)

### 2. Installing the No Drill Blinds Headrail

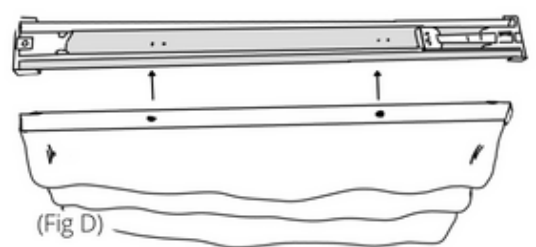
Insert the No-Drill Blinds Headrail into the window opening, make it flush with the top of the window opening, then push on the lever to extend the tension spring and secure the No-Drill Blinds Headrail. (See Fig C)



(Fig C)

### 3. Installing the Product

Install the product onto the brackets (See Fig D). Test and operate the product to ensure secure installation and smooth functionality.

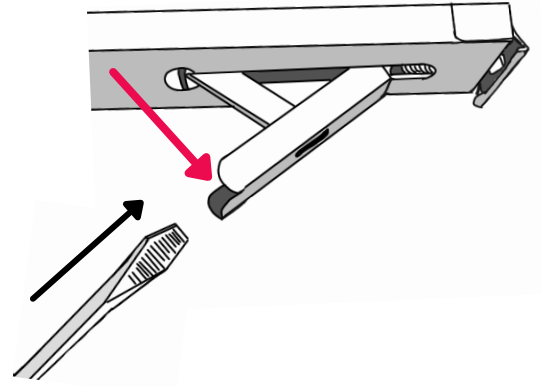


(Fig D)

## Uninstalling the No Drill Blinds Headrail

To uninstall the product, follow step 1 by removing the product from the headrail and use a screwdriver to unlatch the lever.

Make sure to hold the No Drill Blinds Headrail in place while unlatching the lever. This will prevent damage to the window or headrail.



### Tech Tip

If the fixed boot end was accidentally forced out, use a flathead screwdriver to twist the red "droplets" towards the center and then push it back in.

