

To Obtain Service: If you suspect this product has a manufacturing defect in materials or workmanship:

· Locate the sales receipt · Call place of purchase

Any unauthorized returns will not be accepted.

Warranty Remedy: This shall be your sole remedy under this limited warranty. If this product is found to have a manufacturing defect in materials or workmanship, we will, at our discretion, do one of the following:

· Repair the product · Replace the product · Refund the cost of the product.

Colors may vary from lot to lot and may not exactly match sample swatches or previous purchases.

Discontinued items or color selections will be replaced with the closest equivalent current product.

Your rights under state law: This lifetime limited warranty gives you specific legal rights, and you may have other rights which vary from state to state. Some states do not allow limitations on how long a warranty lasts, so the above limitations may not apply to you. No agent, representative, dealer or unauthorized employee has the authority to increase or alter the obligation of this warranty. This lifetime limited warranty supersedes any previous versions.

Continuous Loop Dual Shade

INSTALLATION INSTRUCTIONS

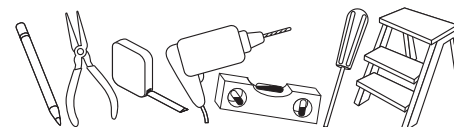
Step 1. Check Package Contents

Missing part? Call 1-800-264-1190
Mounting hardware kit includes the following:

Part	Quantity
a. Mounting Brackets	2 shades up to 45" wide 3 up to 72" wide 4 up to 94" wide
b. Extension Brackets (for outside mounts)	2 shades up to 45" wide 3 up to 72" wide 4 up to 94" wide
c. Screws	4 shades up to 45" wide 6 up to 72" wide 8 up to 94" wide
d. Wall Anchors	4 shades up to 45" wide 6 up to 72" wide 8 up to 94" wide

Step 2. Tools Required

Pencil, tape measure, level, screw driver, pliers, step stool, drill.



Step 3. Installation

Your blind may be installed either inside the window frame or outside the window frame.

Wallboard or Plaster: use wall anchors.
Concrete, Stone, Brick: use a masonry drill bit and anchors or screws specifically designed for masonry (not included).

Inside Mounting:

One bracket should be positioned about 2" to 6" from each end of the head rail. For wider shades that require 3 or 4 brackets, these should be spaced evenly between the two outermost brackets.

Attach each bracket to the inner top of the window opening using the screws provided. Pre-drill the screw holes using a 5/64" drill bit. The extension brackets are not used for inside mounts.

For flush inside mounts, attach the

brackets to the head rail first (see drawings and attachment instructions below), and then position the shade in the window opening as desired. Then make pencil marks at the back of each bracket. Remove the brackets by pressing on the plastic tab. Align the brackets with the pencil marks, and then screw them in place as described above.

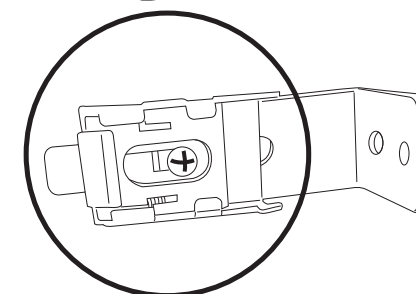
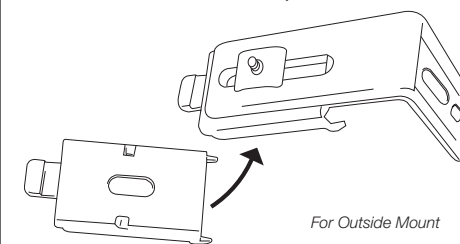
Outside Mounting:

Attach the Extension Brackets to the wall or window framing. One bracket should be positioned about 2" to 6" from each end of the head rail. For wider shades that require 3 or 4 brackets, these should be spaced evenly between the two outermost brackets. Pre-drill the screw holes using a 5/64" drill bit.

The brackets must be level – use a Spirit Level if necessary to assure proper alignment.

Then attach a Mounting Bracket to each Extension Bracket using the nut and bolt pre-attached to each Extension Bracket.

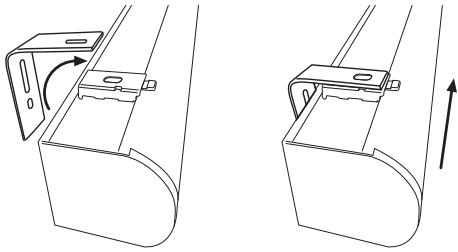
To adjust head rail extension, remove the shade from the mounting brackets by pressing on the plastic tabs at the front of each bracket. Then loosen the nut and bolt, and move the mounting brackets forward or backward as preferred.



⚠ WARNING	⚠ ADVERTENCIA
<p>Window Blind Cord Can STRANGLE Your Child</p> <ul style="list-style-type: none"> • Children can climb furniture to reach cords. • Move crib and furniture away. • Keep all cords out of children's reach. • Attach tension device to wall or floor. • Fasteners provided with tension device may not be appropriate for all mounting surfaces. • Use appropriate anchors for the mounting surface conditions. 	<p>La cuerda ciega de a ventana puede ESTRANGULAR su niño</p> <ul style="list-style-type: none"> • Los niños pueden subir los muebles para alcanzar las cuerdas. • Mueva la cuna y los muebles. • mantenga todas las cuerdas fuera del alcance de los niños. • Conecte el dispositivo de tensión a la pared o suelo. • Los sujetadores provistos con el dispositivo de tensión pueden no ser apropiados para todas las superficies de montaje. • Utilice anclajes apropiados para las condiciones de la superficie de montaje.

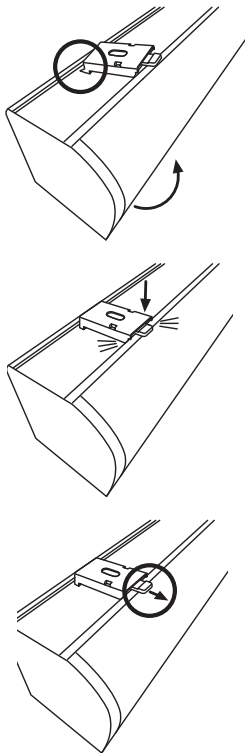
Step 4. Securing the Head Rail

Slide the inner rear of the head rail onto the metal tabs at the back of each bracket, and then push up so that the brackets snap onto the head rail.



IMPORTANT FINAL STEP TO PROPERLY SECURE BRACKETS:

pull the plastic tab on the front of each bracket outward toward the front of the shade to lock the brackets in place. For inside-mounts use pliers to grasp the tabs. Check carefully to assure that each bracket is properly secured



holes and then install the mounting bracket using the 1/4" Phillips head screws provided.

If not securing into wood, use appropriate anchors for the substrate and follow manufacturer's instructions.

Press the tension device onto the mounting bracket posts. Carefully attach the Tension Device to the bracket using the 3/8" Phillips head screws provided.

DO NOT OVER-TIGHTEN.

Step 6. How to Operate

Pulling downward on the front or rear cord of the cord loop raises and lowers the shade. Always pull the cords slowly and evenly to maintain the optimal performance of your shade.

CLEANING

To clean the shade fabric, use a feather duster or vacuum lightly using the soft brush or upholstery attachment. For spot cleaning, use warm (not hot!) water with a mild soap to damp clean.

REPLACEMENT PARTS

In the event that replacement parts are ever needed, you may call:

1-800-264-1190

Please be sure to provide the following information, if possible:

- The complete model or catalog number of your product
- A description of the product
- A description of the part needed

LIMITED LIFETIME WARRANTY

The enclosed product is warranted to the original residential retail purchaser as long as the product remains in the original window.

Covered

Lifetime: Entire product against manufacturing defects (i.e. a flaw in the product design, materials, or workmanship that causes the product to no longer function.

3 Years: Cords, including internal cords such as those found in cordless blinds or shades.

5 Years: All fabric

Not Covered

1. Normal wear and Tear

2. Any product that fails due to:

- Abuse
- Alterations
- Exposure to salt air
- Improper cleaning
- Improper installation
- Misapplication
- Accident
- Damage from pests/insects/pets
- Extraordinary use
- Improper handling
- Improper operation
- Misuse

3. Natural Wood Products that have:

- Loss of color intensity
- Variations in color, grain or texture
- Warping of wood slats in high humidity areas

4. Costs associated with:

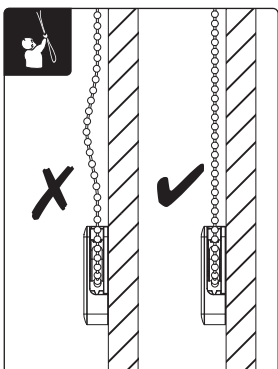
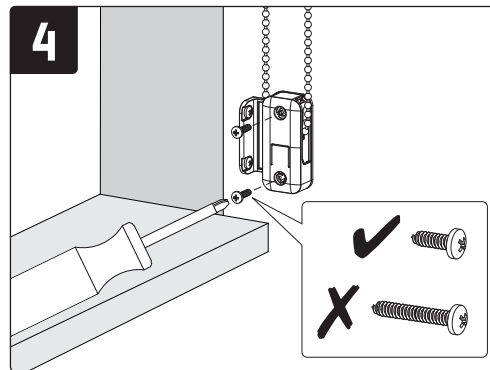
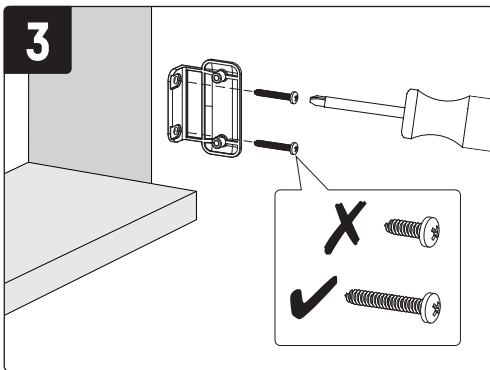
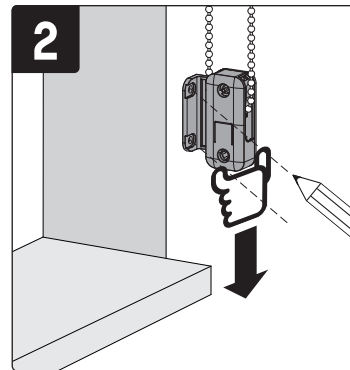
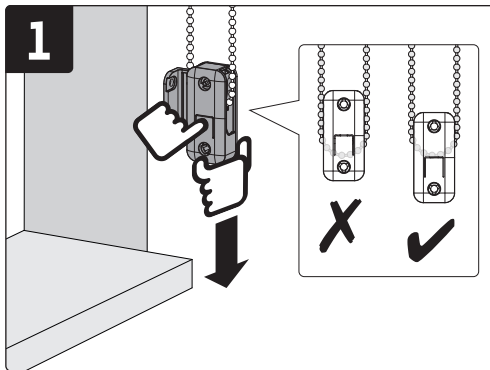
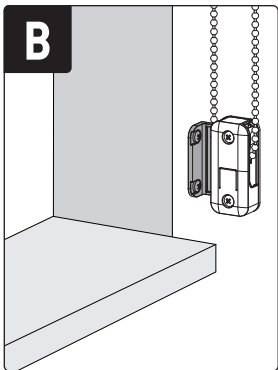
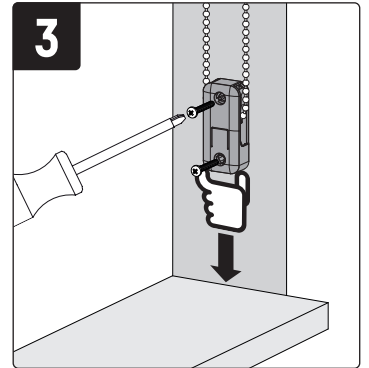
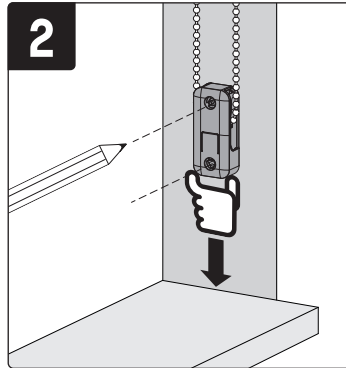
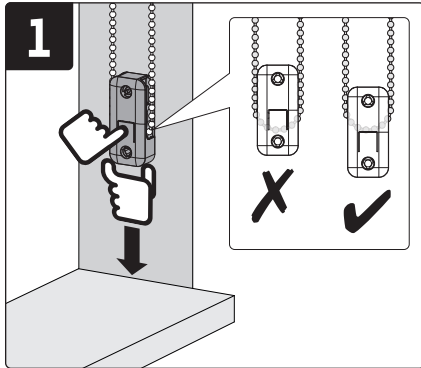
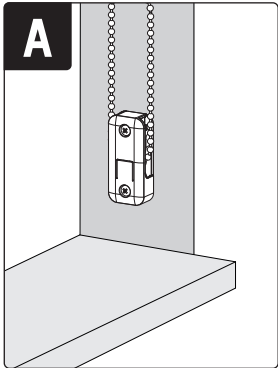
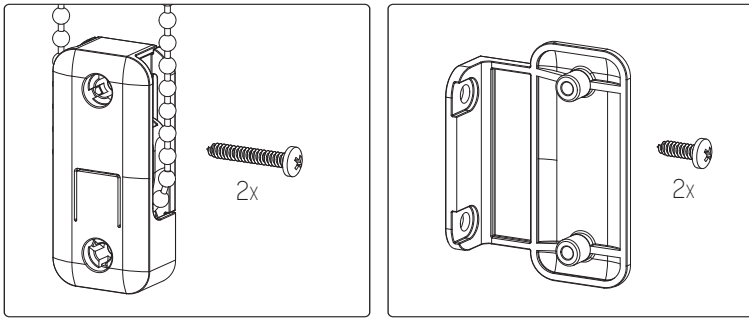
- Product removal
- Transportation to/from the retailer
- Brand label removal
- Product re-measure
- Product reinstallation
- Shipping
- Incidental or consequential damages

In the event there are multiple blinds/shades in the same room, only the defective blind/shade will be replaced.

To Report Shipping Damage: If damage occurred during shipping, call the place of purchase and report within 7 calendar days, or you may be denied credit for your damaged product.

WARNING

The safety device must be applied on chain loops and prevents free-hanging loops in operating chains.
Install the safety device at the maximum distance possible from the control mechanism to prevent slack in the loop.



Warranty Remedy: This shall be your sole remedy under this limited warranty. If this product is found to have a manufacturing defect in materials or workmanship, we will, at our discretion, do one of the following:

- Repair the product
- Replace the product
- Refund the cost of the product.

Colors may vary from lot to lot and may not exactly match sample swatches or previous purchases.

Discontinued items or color selections will be replaced with the closest equivalent current product.

Your rights under state law: This lifetime limited warranty gives you specific legal rights, and you may have other rights which vary from state to state. Some states do not allow limitations on how long a warranty lasts, so the above limitations may not apply to you. No agent, representative, dealer or unauthorized employee has the authority to increase or alter the obligation of this warranty. This lifetime limited warranty supersedes any previous versions.

Cordless Dual Shade

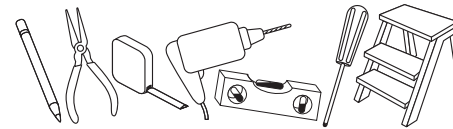
INSTALLATION INSTRUCTIONS

Step 1. Check Package Contents

Missing part? Call 1-800-264-1190
Mounting hardware kit includes the following:

Part	Quantity
a. Mounting Brackets	2 shades up to 45" wide 3 up to 72" wide
b. Extension Brackets (for outside mounts)	2 shades up to 45" wide 3 up to 72" wide
c. Screws	4 shades up to 45" wide 6 up to 72" wide
d. Wall Anchors	4 shades up to 45" wide 6 up to 72" wide
e. Handle for Bottom Rail	1 shades up to 48" wide 2 shades over 48" wide

Step 2. Tools Required



Pencil, tape measure, level, screw driver, pliers, step stool, drill.

Step 3. Installation

Your blind may be installed either inside the window frame or outside the window frame.

Wallboard or Plaster: use wall anchors.

Concrete, Stone, Brick: use a masonry drill bit and anchors or screws specifically designed for masonry (not included).

Inside Mounting:

One bracket should be positioned about 2" to 6" from each end of the head rail. For wider shades that require 3 or 4 brackets, these should be spaced evenly between the two outermost brackets.

Attach each bracket to the inner top of the window opening using the screws provided. Pre-drill the screw holes using a 5/64" drill bit. The extension brackets are not used for inside mounts.

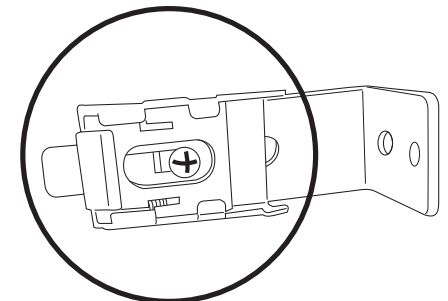
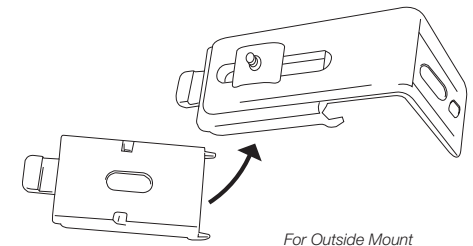
For flush inside mounts, attach the brackets to the head rail first (see drawings and attachment instructions below), and then position the shade in the window opening as desired. Then make pencil marks at the back of each bracket. Remove the brackets by pressing on the plastic tab. Align the brackets with the pencil marks, and then screw them in place as described above.

Outside Mounting:

Attach the Extension Brackets to the wall or window framing. One bracket should be positioned about 2" to 6" from each end of the head rail. For wider shades that require 3 or 4 brackets, these should be spaced evenly between the two outermost brackets. Pre-drill the screw holes using a 5/64" drill bit.

The brackets must be level – use a Spirit Level if necessary to assure proper alignment.

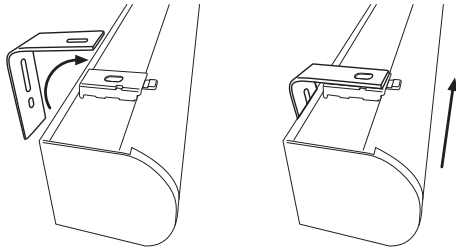
Then attach a Mounting Bracket to each Extension Bracket using the nut and bolt pre-attached to each Extension Bracket.



To adjust head rail extension, remove the shade from the mounting brackets by pressing on the plastic tabs at the front of each bracket. Then loosen the nut and bolt, and move the mounting brackets forward or backward as preferred.

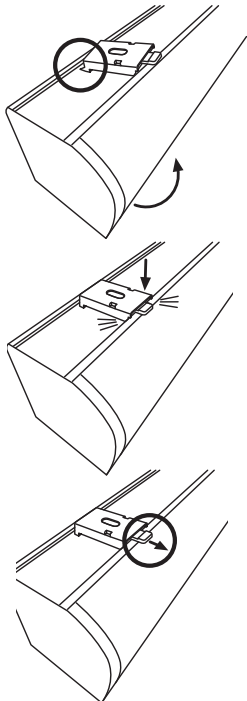
Step 4. Securing the Head Rail

Slide the inner rear of the head rail onto the metal tabs at the back of each bracket, and then push up so that the brackets snap onto the head rail.



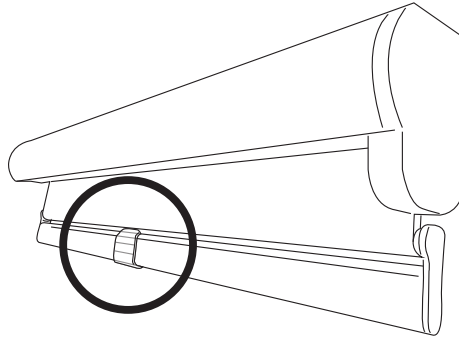
IMPORTANT FINAL STEP TO PROPERLY SECURE BRACKETS:

pull the plastic tab on the front of each bracket outward toward the front of the shade to lock the brackets in place. For inside-mounts use pliers to grasp the tabs. Check carefully to assure that each bracket is properly secured



Step 5. Attach Handle

Attach the clear plastic Handle to the center of the bottom rail as illustrated.



Wider shades have (2) Handles – to precisely determine the correct position for each handle, divide the total width of the shade by 4, and then attach one handle that distance from each outside edge of the bottom rail – always grasp both handles when lifting and lowering the shade.

Step 6. How to Operate

IMPORTANT
Operating & Care Instructions for
Cordless Shades
READ CAREFULLY

- To maintain optimal performance of the springs that make your cordless shade function, lift and lower your shade through its full range of motion – all the way up and down – frequently.

GO SLOW!
Be sure the bottom rail handles are
properly positioned as described
above (step 5) - lift or lower the
shade slowly and evenly, keeping
the rail level, until the shade is
positioned as desired.
IMPROPER OPERATION CAN
DAMAGE THE SHADE.

- If you have trouble lifting your cordless shade:

If the shade is left in one position for a long period of time, it might be necessary to lift and lower the shade several times to restore normal function.

If the shade has been fully raised for a long period of time, it might tend to spring-back (rebound) slightly from the desired length position. This can also

be remedied by lifting and lowering the shade several times.

CLEANING

To clean the shade fabric, use a feather duster or vacuum lightly using the soft brush or upholstery attachment. For spot cleaning, use warm (not hot!) water with a mild soap to damp clean.

REPLACEMENT PARTS

In the event that replacement parts are ever needed, you may call: 1-800-264-1190
 Please be sure to provide the following information, if possible:

- The complete model or catalog number of your product
- A description of the product
- A description of the part needed

LIMITED LIFETIME WARRANTY

The enclosed product is warranted to the original residential retail purchaser as long as the product remains in the original window.

Covered

Lifetime: Entire product against manufacturing defects (i.e. a flaw in the product design, materials, or workmanship that causes the product to no longer function.

3 Years: Cords, including internal cords such as those found in cordless blinds or shades.

5 Years: All fabric

Not Covered

1. Normal wear and Tear
2. Any product that fails due to:
 - Abuse
 - Alterations
 - Exposure to salt air
 - Improper cleaning
 - Improper installation
 - Misapplication
 - Accident
 - Damage from pests/insects/pets
 - Extraordinary use
 - Improper handling
 - Improper operation
 - Misuse
3. Natural Wood Products that have:
 - Loss of color intensity
 - Variations in color, grain or texture
 - Warping of wood slats in high humidity areas
4. Costs associated with:
 - Product removal
 - Transportation to/from the retailer
 - Brand label removal
 - Product re-measure
 - Product reinstallation
 - Shipping
 - Incidental or consequential damages

In the event there are multiple blinds/shades in the same room, only the defective blind/shade will be replaced.

To Report Shipping Damage: If damage occurred during shipping, call the place of purchase and report within 7 calendar days, or you may be denied credit for your damaged product.

To Obtain Service: If you suspect this product has a manufacturing defect in materials or workmanship:

- Locate the sales receipt
- Call place of purchase

Any unauthorized returns will not be accepted.

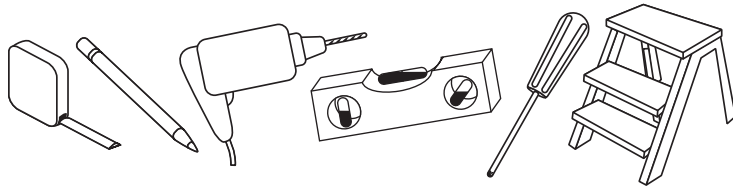
Motorized Dual Shades Installation Instructions

INSTALLATION INSTRUCTIONS

INSTALL THE SHADE BEFORE ATTEMPTING TO OPERATE THE MOTOR.

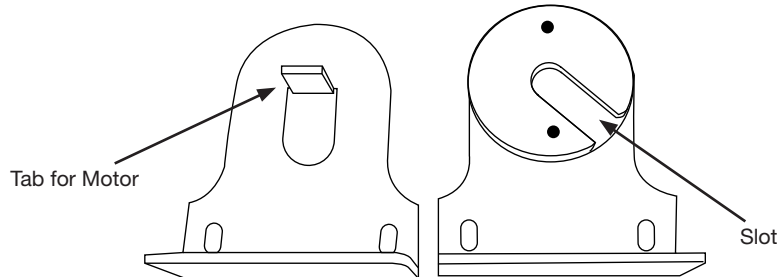
Tools Required:

Tape measure, pencil, drill, drill bits, screw driver, step stool or ladder.

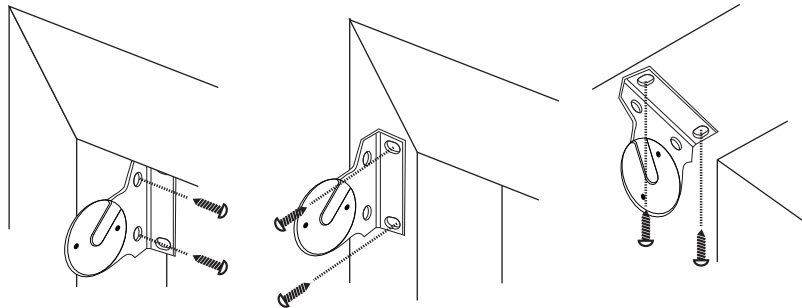


Note: use a 5/64" drill bit to pre-drill the screw holes (for attachment to a wall stud or header board). Use Wall Anchors (not included) for hollow dry wall or plaster mounting.

Step 1. Mount the Brackets [Note: If your shade has a Cassette Valance (the shade is pre-mounted in a decorative aluminum cover) locate the special instructions for installing the Cassette] Attach the brackets to the window frame, molding or ceiling as shown.



Note that the bracket for the motor end of the shade has a tab that fits into the motor housing. The Pin-End Bracket has a slot that the pin end slides into.



Mark the screw locations with a pencil – pre-drill the screw holes using a 5/64" drill bit.

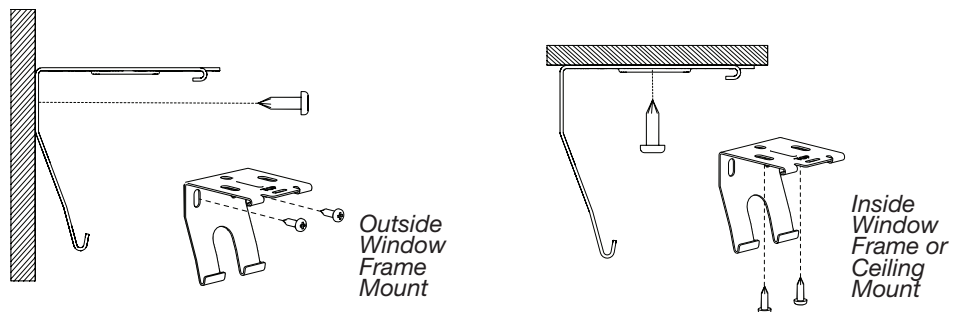
Step 2A. Cassette Installation (for shades with optional Cassette Valance)

The shade is pre-mounted in the cassette. It can be removed to adjust tension, if necessary.

To attach the cassette outside the window frame, use the rear bracket holes as illustrated.

To attach the Cassette inside the window frame (or to the ceiling), use the top bracket holes as illustrated.

Attach the Cassette by placing the back-bottom of the head rail into the bottom of each mounting bracket. Push forward and up, snapping the rail into the top of the mounting bracket.



Operating the Shade

IMPORTANT

See the dedicated programming and operating instructions that came with the shade.
If you cannot locate these instructions, please call Customer Service.

CUSTOMER SERVICE: 1-800-264-1190

Cleaning

Dusting: Vacuum using the soft brush attachment.

Washing (applies to vinyl or vinyl coated shade material): Use a cloth, sponge or soft brush and a mild detergent. Use warm or cold water, not hot water. Place toweling on the floor or window sill and wash the blind in sections.

REPLACEMENT PARTS

In the event that replacement parts are ever needed, you may call: 1-800-264-1190

Please be sure to provide the following information, if possible:

- The complete model or catalog number of your product
- A description of the product
- A description of the part needed

LIMITED LIFETIME WARRANTY

The enclosed product is warranted to the original residential retail purchaser as long as the product remains in the original window.

Covered

Lifetime: Entire product against manufacturing defects (i.e. a flaw in the product design, materials, or workmanship that causes the product to no longer function).

3 Years: Cords, including internal cords such as those found in cordless blinds or shades.

5 Years: All fabric

3 Years: Battery Operated Motors

Not Covered

1. Normal wear and Tear

2. Any product that fails due to:

- Abuse • Alterations • Exposure to salt air • Improper cleaning • Improper installation • Misapplication
- Accident • Damage from pests/insects/pets • Extraordinary use • Improper handling
- Improper operation • Misuse

3. Natural Wood Products that have:

- Loss of color intensity • Variations in color, grain or texture
- Warping of wood slats in high humidity areas

4. Costs associated with:

- Product removal • Transportation to and from the retailer • Brand label removal • Product re-measure
- Product reinstallation • Shipping • Incidental or consequential damages

In the event there are multiple blinds/shades in the same room, only the defective blind/shade will be replaced

To Report Shipping Damage:

If damage occurred during shipping, call the place of purchase and report within 7 calendar days, or you may be denied credit for your damaged product.

To Obtain Service:

If you suspect this product has a manufacturing defect in materials or workmanship:

- Locate the sales receipt
- Call place of purchase

Any unauthorized returns will not be accepted.

Warranty Remedy:

This shall be your sole remedy under this limited warranty.

If this product is found to have a manufacturing defect in materials or workmanship, we will, at our discretion, do one of the following:

- Repair the product
- Replace the product
- Refund the cost of the product

Colors may vary from lot to lot and may not exactly match sample swatches or previous purchases.

Discontinued items or color selections will be replaced with the closest equivalent current product.

Your rights under state law: This lifetime limited warranty gives you specific legal rights, and you may have other rights which vary from state to state. Some states do not allow limitations on how long a warranty lasts, so the above limitations may not apply to you. No agent, representative, dealer

or unauthorized employee has the authority to increase or alter the obligation of this warranty. This lifetime limited warranty supersedes any previous versions

Afinamiento de Posiciones Límites: mueva la cortina a la posición límite que desea ajustar. Presione el botón de programación en la parte posterior del control remoto – el motor oscilará y se encuentra ahora en modo de ajuste de límite. Use los botones de flechas ARRIBA / ABAJO en el control remoto hasta establecer la nueva posición - presione el botón de programación nuevamente - el motor oscila y el afinamiento de ajuste de límite ha quedado establecido.

Eliminación de Límites:

Nota: el primer límite superior no puede eliminarse – solo se elimina cuando borra totalmente la memoria

Mueva la cortina a la posición límite que quiere eliminar - presione y mantenga hundido el botón de programación en la parte posterior del control remoto por aproximadamente 7 segundos - el motor oscilará dos veces, y el límite habrá sido eliminado.

Borrado de Memoria

Para borrar TODA la memoria: Presione el botón de programa en el riel 4 veces (a intervalos de un segundo), presione una vez, espere a que el LED parpadee en ROJO - presione otra vez, espere un parpadeo - presione la tercera vez, espere 2 parpadeos - presione la cuarta vez, espere 2 destellos, el motor oscilará. Ahora se borra toda la memoria.

Borrado de memoria para un solo canal: Acomode el transmisor remoto en el canal que desea eliminar. Presione el botón de STOP por aproximadamente 5 segundos - el motor oscilará. Ahora presiones el botón de programación en la parte posterior del control remoto - el motor oscilará y el canal habrá sido eliminado.

Uso del Transmisor a Control Remoto

Presione el botón de ARRIBA / ABAJO una vez y la cortina irá a la siguiente posición pre-determinada.

Presione ARRIBA / ABAJO dos veces en un período de un segundo y la cortina se moverá hacia arriba o hacia abajo hasta la posición límite sin detenerse en posiciones intermedias.

Cuando se alcanza la posición de arriba, el botón de ARRIBA quedará inactivo, y cuando se ha alcanzado la posición límite inferior, el botón de

ABAJO quedará inactivo.

Control de Múltiples Cortinas Simultáneamente

Control Remoto de 6 Canales: presione el selector de canal hasta que las 6 luces se encienden y controlan las cortinas al mismo tiempo.

Control Remoto de 16 Canales: Presione el selector de canales hasta que aparece “CC” en la pantalla para controlar hasta 16 cortinas al mismo tiempo.

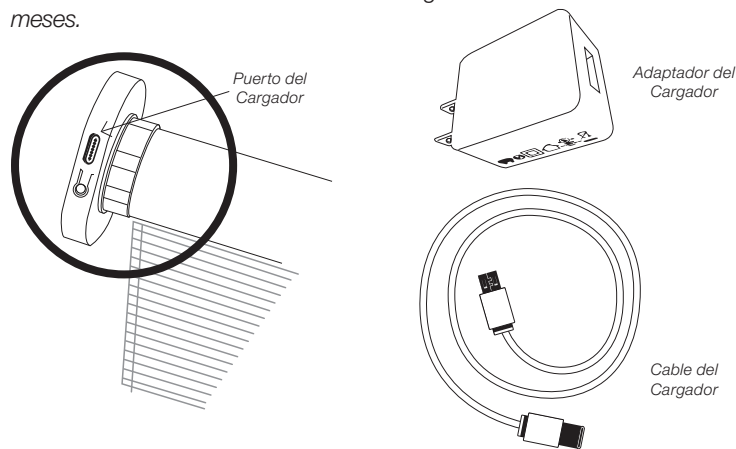
Operado de la Cortina

Para subir o bajar la cortina, use el control remoto tal y como se describió anteriormente.

Cargado de Baterías

Conecte el cargador AC al cable fijado al cabezal del motor – cargue por 8 horas.

NOTA: Cada batería/motor debería ser cargada al menos una vez cada 6 meses.



Instalación/Reemplazo de Baterías del Control Remoto

Remueva la tapa posterior del control remoto soltando el tornillo y

deslizándola levemente hacia arriba – instale una batería tipo disco de 3V [CR2032] como se ilustra.

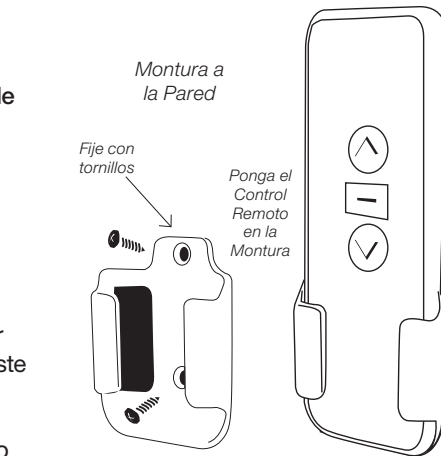
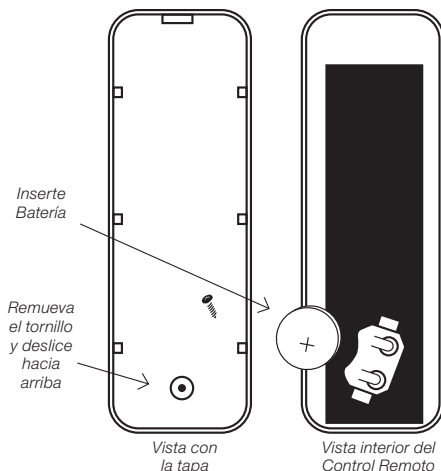
Instalación de la Montura a Pared (opcional)

Fije la montura usando los tornillos proveídos (use tarugos en paredes huecas), o despegue la lámina del adhesivo en la parte posterior y presione en el lugar deseado en la pared o cualquier superficie limpia y plana.

SERVICIO AL CLIENTE: 1-800-264-1190

Instrucciones Generales de Seguridad para Cortinas Motorizadas

- No exponga el motor o transmisor a humedad o temperaturas extremas
- No permita que niños jueguen con éste aparato
- El uso o modificación por fuera de lo estipulado en este manual invalida la garantía
- Si el cable o el enchufe eléctrico están dañados, no los use



Información importante sobre su producto de batería:

Las baterías recargables deben reciclarse, no desecharse con la basura doméstica común. Cuando reemplace su sombra, recíclala de acuerdo con las regulaciones ambientales locales. Esto también se aplica a la batería tipo botón en los controles remotos.

Declaración sobre el Cumplimiento con Normas del FCC

Este producto cumple con la Parte 15 del Código del FCC. Su operación está sujeta a las siguientes condiciones:

- 1) Este aparato podría causar interferencia, y
- 2) Este aparato debe aceptar cualquier interferencia recibida, incluyendo interferencia que cause su operación errática.

Nota:

Se ha probado que este equipo cumple con 15 de las normas del FCC. Estos límites están diseñados para proveer una protección razonable contra interferencias perjudiciales en una instalación casera. El equipo genera, usa y puede irradiar energía de radio frecuencia y, de no ser instalado de acuerdo a las instrucciones, podría interferir perjudicialmente con radio-comunicaciones.

Sin embargo, no hay garantía que la interferencia no ocurra en alguna instalación en particular. Si el equipo causa interferencia en la recepción en radio o televisión, que puede determinarse encendiendo y apagando el aparato, se pide al usuario el tratar de corregir la interferencia tomando alguna de las siguientes medidas::

- Reoriente o re-localice la antena.
- Incremente la separación entre el equipo y el receptor.
- Conecte el equipo a una toma o circuito eléctrico diferente al que el receptor está conectado.
- Consulte o pida ayuda al almacén o a un técnico experto en radio y televisión.

Cualquier cambio o modificación no expresamente aprobada por la entidad responsable del cumplimiento podría anular la autoridad del usuario a operar este equipo.

Radio Technology Motor & Controls for Custom Shades

Wire-free Rechargeable Motor System - Type C

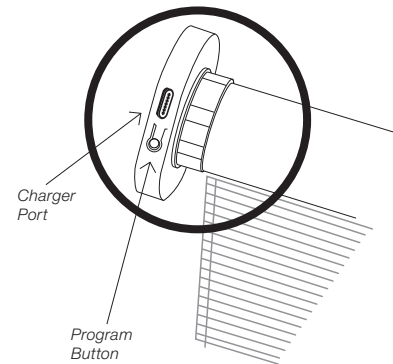
PROGRAMMING AND OPERATION OF RADIO TECHNOLOGY MOTORS

Activating the motor: Press the program button for 1 second – the Red indicator light will flash – the motor is now “ON”

IMPORTANT: The Upper & Lower limit positions (full UP & DOWN positions) have been pre-set at the factory – also, a Channel Number has been assigned to each shade - therefore, it is not necessary to perform Steps 1, 2 & 3 below – however, we recommend that you read these to familiarize yourself with the basics of programming the motor and remote control and to fully understand the function of your motorized shade. Also, note that the batteries in the motor are fully charged at the factory prior to shipment.

1. Channel Selection for Each Shade

When you receive your shades the channel number pre-assigned to each shade will be marked on the shade and/or carton. Per the notice above, it is not necessary to perform Steps 1, 2 & 3 as these settings are done at the factory and will require no adjustment under normal circumstances.



A channel number must be assigned to each motor/shade. The assigned numbers should be sequential starting with #1 (1, 2, 3 etc.).

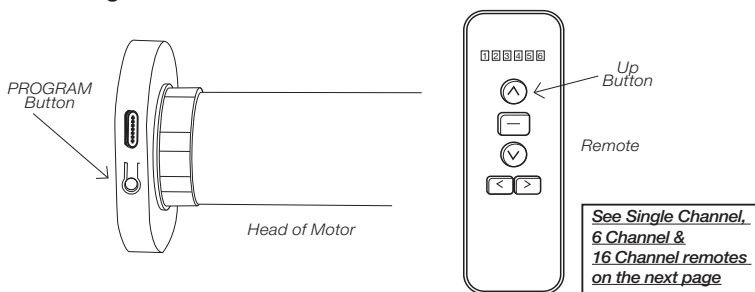
Press the channel buttons/arrows to select a dedicated channel for each shade prior to mating each shade/motor to the remote controller.

2. Programming/Mating

REMINDER: the motor and remote have been pre-set at the factory – programming information for Steps 1, 2 & 3 is provided as background information only.

Identify the head of the motor housing on the left side of the shade (see drawing) - Press the PROGRAM button until the shade oscillates (the shade will oscillate - a quick back and forth movement of the shade) Press the UP button on the remote (see drawing) – the shade will oscillate again – the motor and transmitter are now mated.

3. Setting UP and DOWN Limit Positions

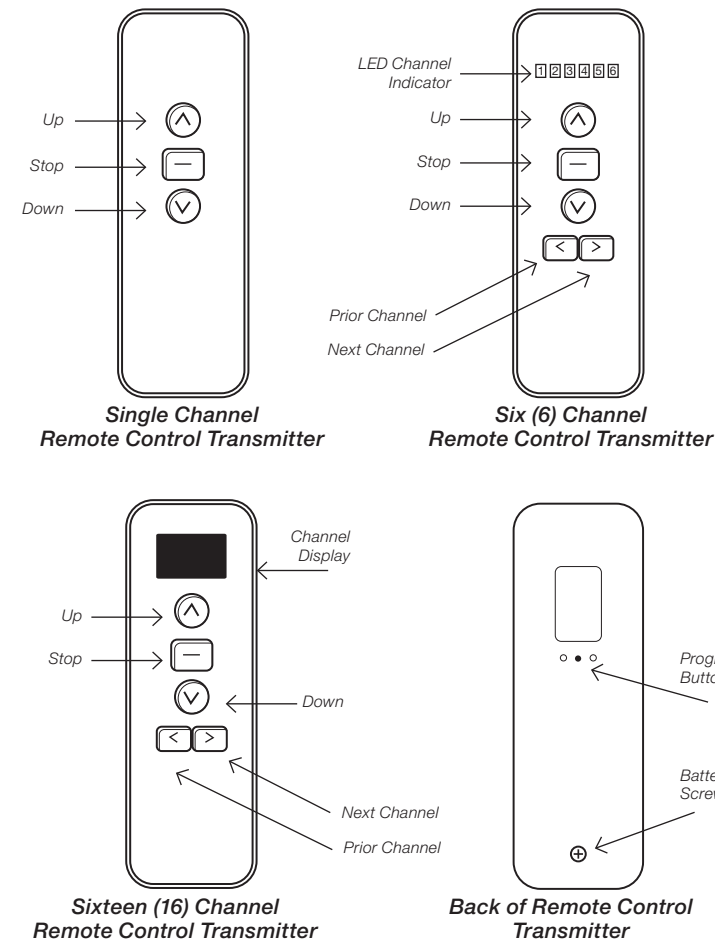


NOTE: Upper and lower limit positions have been pre-set at the factory - programming information for Steps 1, 2 & 3 is provided as background information only.

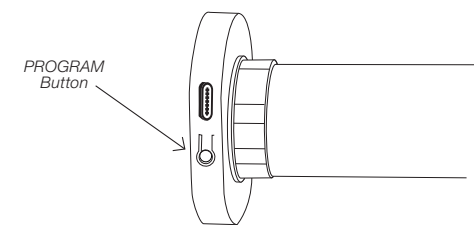
Set the UP position:

Move the shade 6” to 10” below the desired upper limit by pressing the UP or DOWN arrows/buttons on the remote. Press the PROGRAM button on the back of the remote – the motor will oscillate – this puts the motor in program mode. Now move the shade up to the desired UP position and press the program button again – the motor will oscillate

Remote Transmitters



Motor Head



and the upper limit is now set.

Set the DOWN position:

Move the shade down from the upper limit position to a point 6” to 10” from the bottom, and then press the PROGRAM button on the back of the remote – the motor will oscillate and is once again in program mode.

Now move the shade to the desired DOWN position and press the PROGRAM button the motor will oscillate and the lower limit is now set.

NOTE: after all limits are set, see the remote control operating instructions below.

4. Setting Intermediate Positions & Other Settings

Setting INTERMEDIATE positions

Up to (4) intermediate positions can be set.

Move the shade at least 6 inches away from the previously set limits – press the PROGRAM button on the rear of the remote – the motor will oscillate and is now in program mode.

Now move the shade to any desired intermediate STOP position and press the PROGRAM button again – the motor will oscillate and the intermediate STOP position is now set.

Repeat this process to set additional intermediate STOP positions.

When setting a limit, if there is no action within 30 seconds, the motor will automatically exit the limit programming mode.

Motor y Controles con Radio Tecnología Para Persianas a la Medida

Sistema de Motor Recargable sin Cables - Tipo C

PROGRAMACION Y OPERACION DE MOTORES DE RADIO TECNOLOGIA

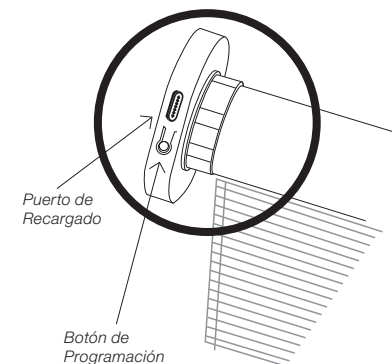
Activación del motor: Presione el botón de programa durante 1 segundo - la luz indicadora roja parpadeará - el motor ahora está "ENCENDIDO"

IMPORTANTE: los límites de posición superior e inferior han sido previamente programados de fábrica - como también se ha asignado un número de canal - entonces, no es necesario seguir los pasos, 2 y 3 a continuación - Aunque, recomendamos que lea estos pasos para familiarizarse con el proceso de programación del motor y el control remoto y entender la función de su cortina motorizada. Note que las baterías han sido plenamente cargadas de fábrica antes del envío.

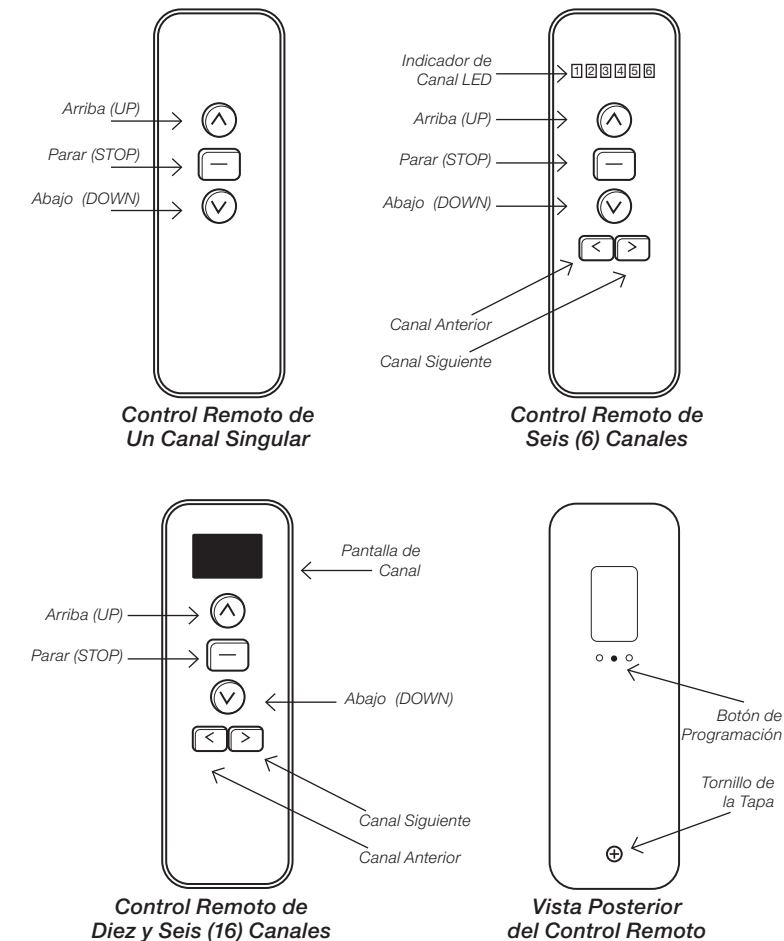
1. Selección de Canal para Cada Lado

Cuando recibe su cortina, el número de canal previamente asignado a cada cortina está marcado en cada una de ellas y en el empaque. Como se indicó antes, no es necesario seguir los pasos 1, 2 y 3, ya que han sido previamente realizados desde la fábrica y no requieren de ningún ajuste en condiciones normales.

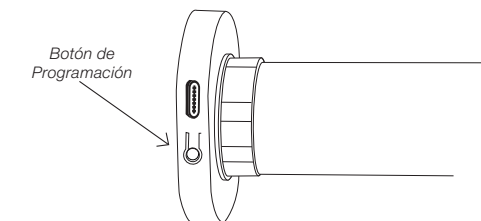
Un número de canal deberá ser asignado a cada motor



Transmisores de Control Remoto



Cabezal del Motor



control remoto - el motor oscilará - esto pone el motor en modo de programación. Ahora mueva la cortina hacia arriba a la posición superior deseada y presione el botón PROGRAM nuevamente - el motor oscilará y el límite ha quedado establecido.

Ajuste posición Inferior "DOWN":

Baje la cortina entre 6" a 10" por debajo del límite superior, presione PROGRAM en la parte posterior del control remoto - el motor oscilará y una vez más está en modo de programación. Ahora baje la cortina al límite deseado y presione PROGRAM, el motor oscila y el límite inferior ha sido establecido.

NOTA: luego que los límites han quedado establecidos, observe las instrucciones del control remoto a continuación.

4. Ajuste de Posiciones Intermedias y Otros Ajustes

Ajuste de posición INTERMEDIA

Se pueden establecer hasta (4) posiciones intermedias.

Mueva la cortina a al menos 6" de los límites previamente establecidos - presione PROGRAM en la parte posterior del control remoto - el motor oscilará y quedará en modo de programación.

Mueva la cortina a la posición deseada y vuelva a presionar PROGRAM - el motor oscilará y la posición intermedia STOP ha sido establecida.

Repita el proceso para las posiciones intermedias adicionales.

Cuando establezca un límite, si no hay acción dentro de los primeros 30 segundos, el motor saldrá automáticamente del modo de programación.

and sliding the back plate upward slightly - install a 3V [CR2032] disk type battery as illustrated.

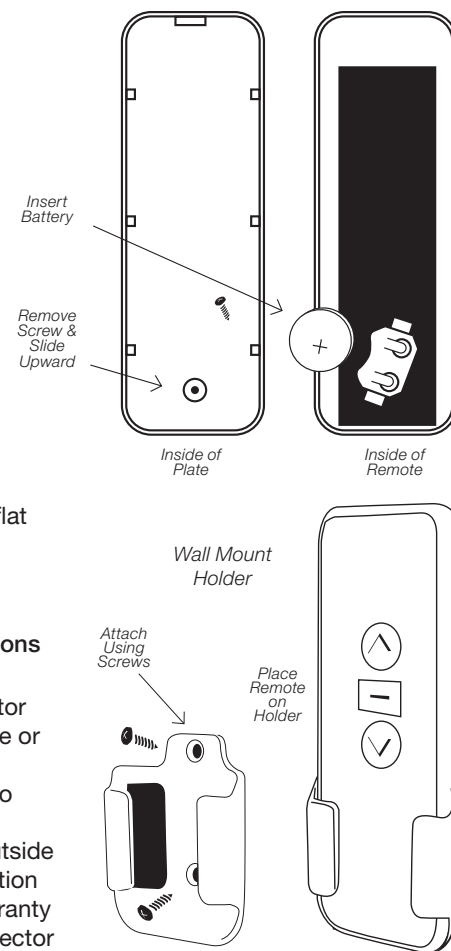
Installation of Optional Wall Mount Holder

Attach the remote holder using the screws provided (use wall anchors for hollow dry wall), or peel the foil off the adhesive pad on the back of the remote holder and press it into place on any clean flat surface.

CUSTOMER SERVICE: 1-800-264-1190

General Safety Instructions for Motorized Shades

- Do not expose the motor or transmitter to moisture or extreme temperatures
- Do not allow children to play with this device
- Use or modification outside the scope of this instruction manual will void the warranty
- If cable or power connector is damaged, do not use



Important Information about your battery powered product: Rechargeable batteries should be recycled, not disposed of with common household trash. When/if you replace your shade, please recycle in accordance with local environmental regulations. This also applies to the button type battery in the remote control(s).

Statement Regarding FCC Compliance

This device complies with Part 15 of the FCC rules. Operation is subject to the following two conditions:

- 1) This device may not cause interference, and
- 2) This device must accept any interference received, including interference that may cause undesired operation.

Note:

This equipment has been tested and found to comply with 15 of the FCC Rules. These limits are designed to provide reasonable protection against harmful interference in a residential installation. This equipment generates, uses and can radiate radio frequency energy and, if not installed and used in accordance with the instructions, may cause harmful interference to radio communications.

However, there is no guarantee that interference will not occur in a particular installation. If this equipment does cause harmful interference to radio or television reception, which can be determined by turning the equipment off and on, the user is encouraged to try to correct the interference by one or more of the following measures:

- Reorient or relocate the receiving antenna.
- Increase the separation between the equipment and the receiver.
- Connect the equipment into an outlet on a circuit different from that to which the receiver is connected.
- Consult the dealer or an experienced radio/TV technician for help.

Any changes or modifications not expressly approved by the party responsible for compliance could void the users authority to operate the equipment.

de cortina. El número deberá estar secuenciado comenzando con el #1 (1,2,3, etc.).

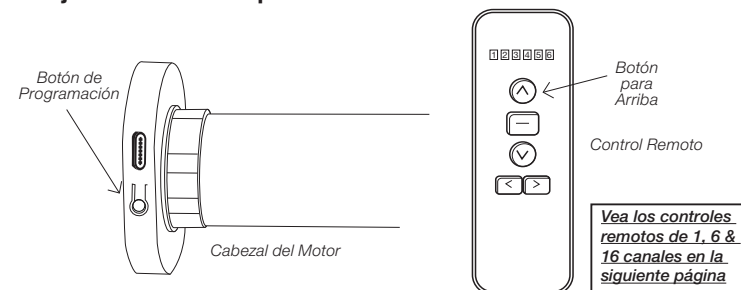
Presione el botón de canal/flechas para seleccionar un canal dedicado a cada cortina antes de asociarlo a cada motor de cortina en el control remoto.

2. Programación/Asociación

RECUERDE: el motor y el control remoto han sido previamente programados de fábrica - la información de programación en los pasos 1, 2 y 3 se dan para su información unicamente.

Identifique el lugar de alojamiento del motor en el extremo izquierdo de la cortina (mire la ilustración) - Presione el botón de PROGRAM hasta que la cortina oscila (movimiento rápido hacia atrás y adelante) Presione UP en el control remoto (mire la ilustración) - la cortina oscilará nuevamente - el motor y el transmisor han sido asociados.

3. Ajuste de límites superior e Inferior "UP & DOWN"



NOTA: Los límites han sido previamente ajustados de fábrica - la información de programación en los pasos 1, 2 y 3 se dan para su información unicamente.

Ajuste posición Superior "UP":

Baje la cortina de 6" a 10" por debajo del límite superior deseado presionando los botones con flechas ARRIBA o ABAJO en el control remoto. Presione el botón PROGRAM en la parte posterior del

Limit Position Fine Tuning: move the shade to the limit position that you wish to adjust. Press the program button on the rear of the remote - the motor will oscillate and is now in limit setting mode. Use the UP/DOWN buttons on the remote to establish a new position - press the program button on the rear of the remote - the motor will oscillate and the fine-tune setting is now complete.

Erasing Limits:

Note: the 1st/Upper limit cannot be erased - it can only be eliminated by deleting all memory

Move the shade to the limit position that you wish to erase - press and hold the PROGRAM button on the rear of the remote for approximately 7 seconds - the motor will oscillate twice, and the limit has been erased.

Deleting Memory

To Delete All Memory: Press the program button on the head of the motor 4 times (@ one second intervals), press once, wait for the LED to flash RED - press a 2nd time, wait for a flash - press the 3rd time, wait for 2 flashes - press the 4th time, wait for 2 flashes, the motor will oscillate. All memory is now erased.

Deleting Memory for a Single Channel: Set the remote transmitter on the channel to be deleted. Press the STOP button for approximately 5 seconds - the motor will oscillate. Now press the program button on the rear of the remote - the motor will oscillate and the single channel is deleted

Using the Remote Control Transmitter

Press the UP/DOWN button once and the shade will move to the next pre-set limit position.

Press the UP/DOWN button twice at the speed of once per second and the shade will move to the UP or DOWN limit position without stopping at any intermediate position.

When the up position has been reached, the UP button becomes non-functional, and when the down position has been reached the DOWN button becomes non-functional.

Controlling Multiple Shades Simultaneously

6 Channel Remote: press the channel selector until all six lights are lit to control up to 6 shades at the same time using the remote control as described above.

16 Channel Remote: press the channel selector button until "CC" appears in the display window to control up to 16 shades at the same time using the remote control as described above.

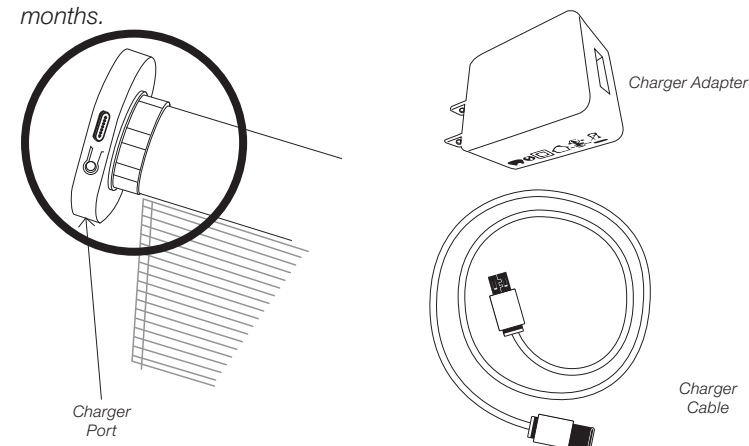
Operating the Shade

To raise and lower the shade, use the remote control as described above.

Charging the Batteries

Connect the AC Charger to the Charger Cable attached to the motor head - charge for 8 hours.

NOTE: Each battery/motor should be charged at least once every 6 months.



Installation/Replacement of the Remote Control Battery

Remove the cover on the rear of the remote by removing the screw

No-Drill Blinds Headrail



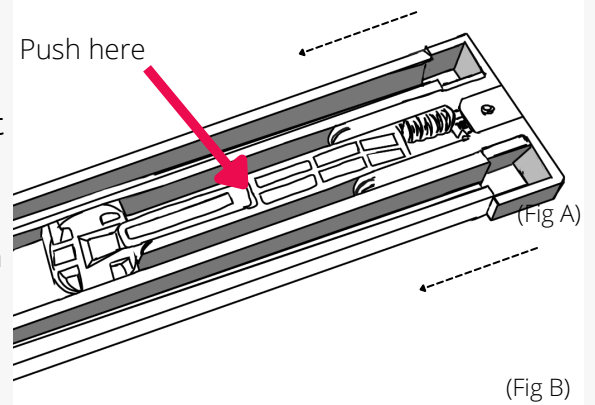
The difficulty level of this installation is ranked at **Level 1**. *A piece of cake!*

If you have questions or get stuck, call our Customer Care Team at 888-257-1840, or email customer@selectblinds.com

1. Preparing the No Drill Blinds Headrail

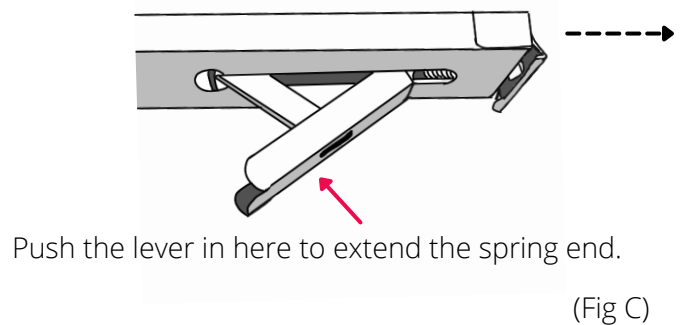
Pull the lever from below or push down on the mechanism from above to retract the tension boot (See Fig B).

Install the metal strips or padded adhesive tape on opposite sides of the window opening where you'll be installing the No-Drill Blinds Headrail. This is optional and only available on larger products.



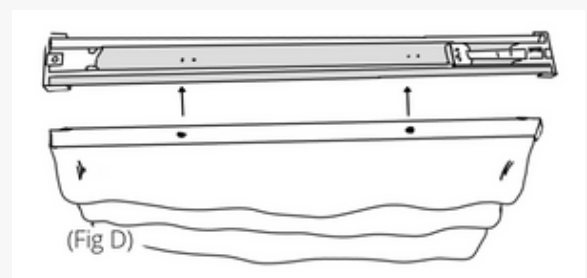
2. Installing the No Drill Blinds Headrail

Insert the No-Drill Blinds Headrail into the window opening, make it flush with the top of the window opening, then push on the lever to extend the tension spring and secure the No-Drill Blinds Headrail. (See Fig C)



3. Installing the Product

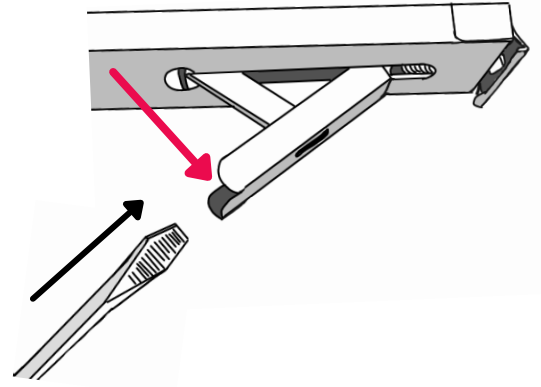
Install the product onto the brackets (See Fig D). Test and operate the product to ensure secure installation and smooth functionality.



Uninstalling the No Drill Blinds Headrail

To uninstall the product, follow step 1 by removing the product from the headrail and use a screwdriver to unlatch the lever.

Make sure to hold the No Drill Blinds Headrail in place while unlatching the lever. This will prevent damage to the window or headrail.



Tech Tip

If the fixed boot end was accidentally forced out, use a flathead screwdriver to twist the red "droplets" towards the center and then push it back in.

